

#Specification Guide Codes:

A=Item Number
 B=Material Thickness(mm)
 D=Suitable Rated Current
 Beryllium Copper Recommended For Current Higher Than 10A To Order Add "Q" e.g.AD-203S Q

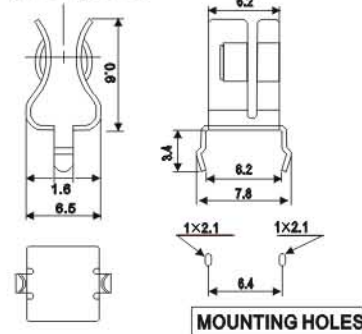
#Option finish Selecting:

N=Nickel Plating
 (To Order Add N or S e.g.AD-205B N)

P.C.BOARD MOUNT FUSE CLIPS FOR 5mm DIAMETER FUSES



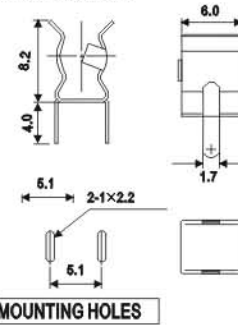
AD-203K



B:Phosphor Bronze
 C:0.4t
 D:10A
 Bright Tin Plated



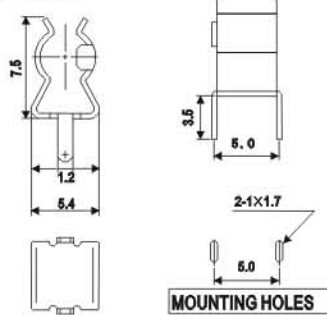
AD-203LR



B:Phosphor Bronze
 C:0.3t
 D:10A
 Bright Tin Plated
 Ear Type



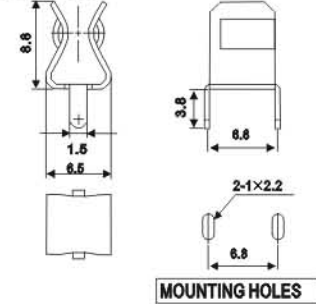
AD-203P



B: Spring Brass
 C:0.4t
 D:10A
 Bright Tin Plated
 Ear Type



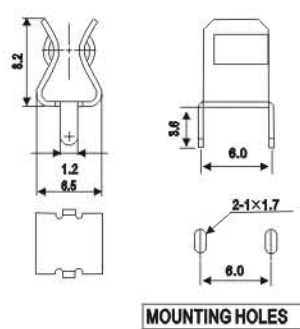
AD-203S



B: Spring Brass
 C:0.4t
 D:10A
 Bright Tin Plated
 Ear Type



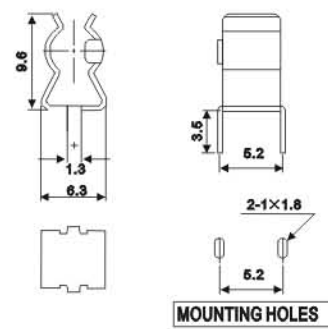
AD-203SF



B: Spring Brass
 C:0.4t
 D:10A
 Bright Tin Plated
 Ear Type



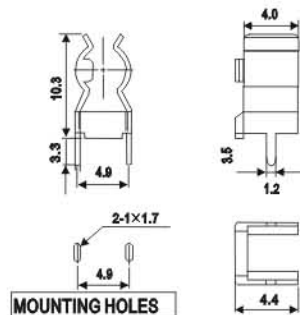
AD-203SP



B: Spring Brass
 C:0.4t
 D:10A
 Bright Tin Plated
 Ear Type



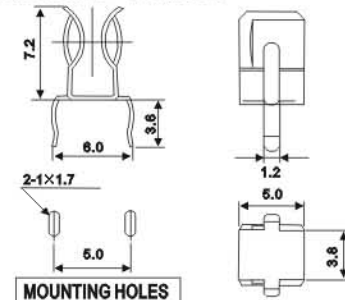
AD-203T



B: Spring Brass
 C:0.4t
 D:10A
 Bright Tin Plated
 Ear Type



AD-450
 For 4.5 or 5mm Dia.Fuses



450D 450
 B: Spring Brass
 C:0.4t
 D:10A
 Bright Tin Plated
 Ear Type



电路安全保护元器件