

## Part No. WADP-SFSEF-03

### 6GHz SMA(F)-SMA(F) 50Ω Adapter



#### Features:

- High repeatability
- Low VSWR



#### Electrical Specification

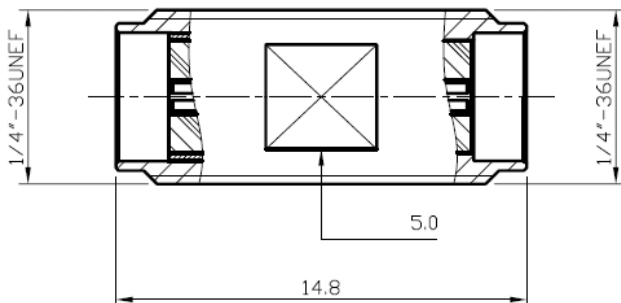
Frequency	DC-6GHz
Impedance	50 Ohm
Connector Type	SMA Female – SMA Female

#### Material Specification

Body	Brass Plated Gold
Press Washer	Brass Plated Gold
Insulator	Teflon
Center Pin	Phosphor Bronze Plated Gold

#### Outline

Unit:mm



#### Test Report

