



SMD POWER INDUCTOR

JS 4D~6D SERIES

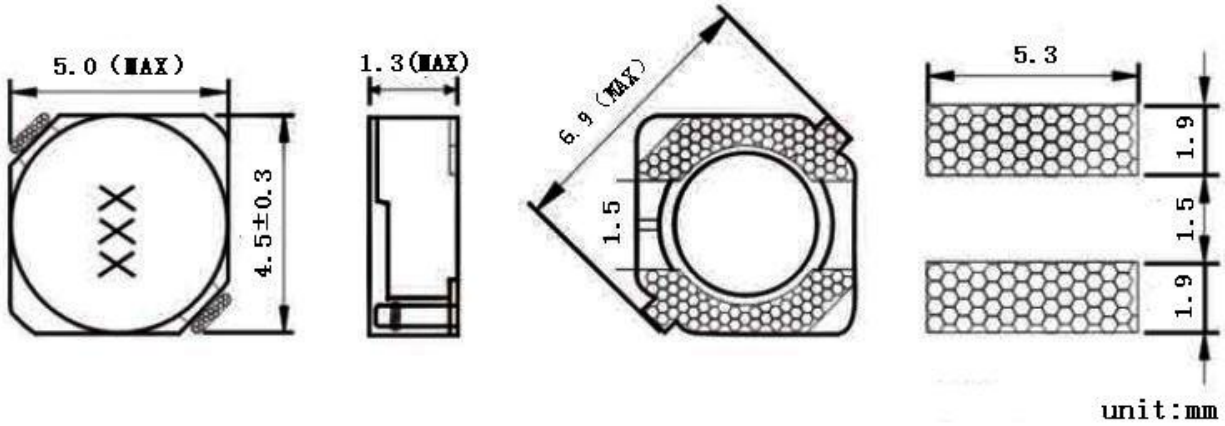


FEATURES/APPLICATOINS

- .Carrier tape packing use for SMT
- .Small product,quadrate,Width:3.0mm~7.0mm Height:1.2mm~4.0mm
- .Magnetically shielded construction
- .Suitable for reflow SMT craft soldering
- .Lead free products, RoHS compliant
- .Widely use in Digital products & Scanner/DC-DC converter/Power supply for VTP/LCD monitor/portable terminal equipment/Telecommunications/Notebook and PC Peripheral equipments etc

JS4D11

SHAPE AND DIMENSIONS



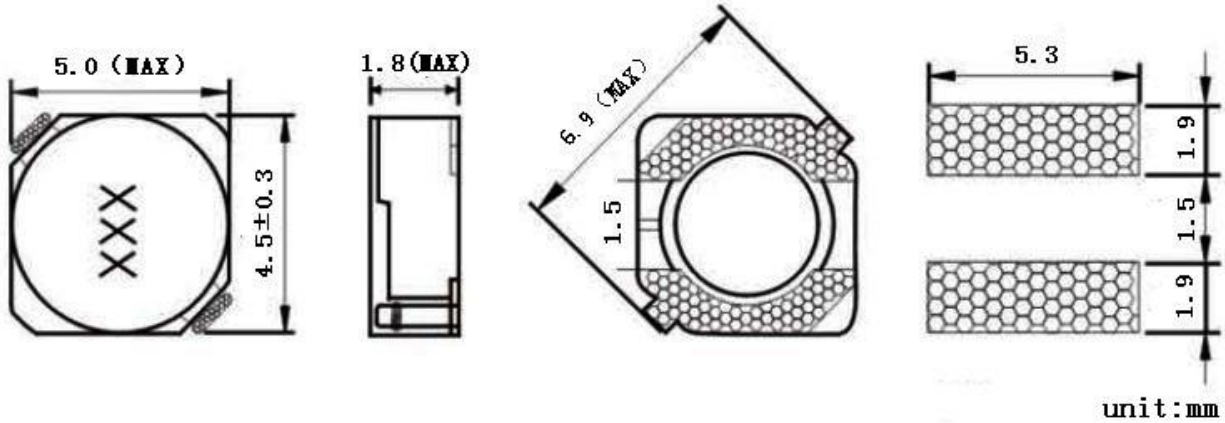
Electrical Characteristics JS4D11 Series

Part NO	Test Condition	Inductance(μ H)	Tolerance(%)	DC Resistance(Ω)Max	Rated Current(A)Max
JS4D11-3R3N	100KHz/0.1V	3	± 30	0.106	1.17
JS4D11-4R7N	100KHz/0.1V	4.7	± 30	0.137	0.99
JS4D11-6R8N	100KHz/0.1V	6.8	± 30	0.206	0.9
JS4D11-100M	100KHz/0.1V	10	± 20	0.297	0.68
JS4D11-150M	100KHz/0.1V	15	± 20	0.46	0.53
JS4D11-220M	100KHz/0.1V	22	± 20	0.706	0.44
JS4D11-330M	100KHz/0.1V	33	± 20	1.004	0.36

Special inquiries besides the above common used types can be meet

JS4D16

SHAPE AND DIMENSIONS



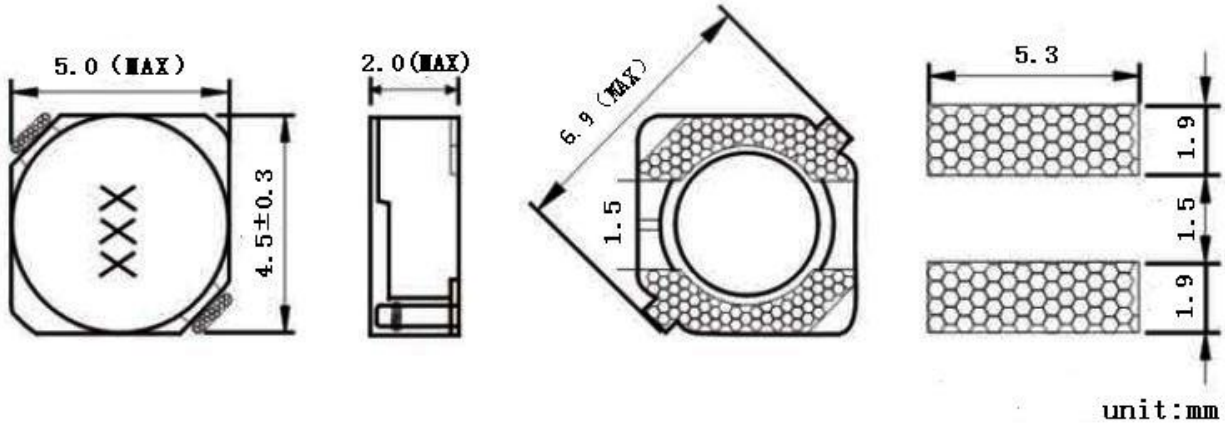
Electrical Characteristics JS4D16 Series

Part NO	Test Condition	Inductance(μ H)	Tolerance(%)	DC Resistance(Ω)Max	Rated Current(A)Max
JS4D16-2R0N	100KHz/0.1V	2	± 30	0.035	1.9
JS4D16-2R6N	100KHz/0.1V	2.6	± 30	0.038	1.7
JS4D16-4R7M	100KHz/0.1V	4.7	± 20	0.058	1.2
JS4D16-6R8M	100KHz/0.1V	6.8	± 20	0.081	1
JS4D16-100M	100KHz/0.1V	10	± 20	0.118	0.8
JS4D16-150M	100KHz/0.1V	15	± 20	0.179	0.65
JS4D16-220M	100KHz/0.1V	22	± 20	0.288	0.52
JS4D16-330M	100KHz/0.1V	33	± 20	0.32	0.45

Special inquiries besides the above common used types can be meet

JS4D18

SHAPE AND DIMENSIONS



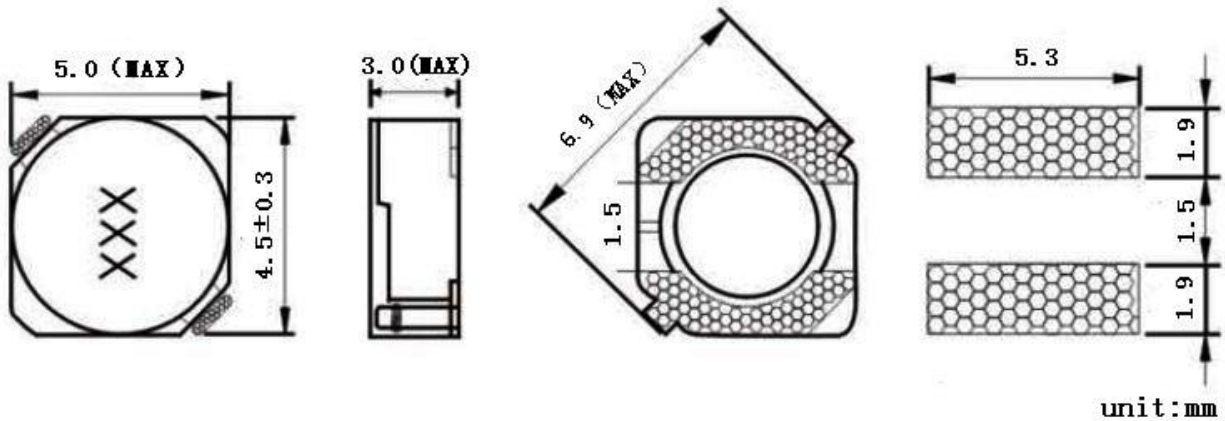
Electrical Characteristics JS4D18 Series

Part NO	Test Condition	Inductance(μ H)	Tolerance(%)	DC Resistance(Ω)Max	Rated Current(A)Max
JS4D18-1R0N	100KHz/0.1V	1	± 30	0.045	1.72
JS4D18-2R2N	100KHz/0.1V	2.2	± 30	0.075	1.32
JS4D18-3R3N	100KHz/0.1V	3.3	± 30	0.11	1.04
JS4D18-4R7M	100KHz/0.1V	4.7	± 20	0.162	0.84
JS4D18-5R6M	100KHz/0.1V	5.6	± 20	0.17	0.8
JS4D18-6R8M	100KHz/0.1V	6.8	± 20	0.2	0.76
JS4D18-8R2M	100KHz/0.1V	8.2	± 20	0.215	0.68
JS4D18-100M	100KHz/0.1V	10	± 20	0.225	0.61
JS4D18-120M	100KHz/0.1V	12	± 20	0.235	0.56
JS4D18-150M	100KHz/0.1V	15	± 20	0.24	0.5
JS4D18-180M	100KHz/0.1V	18	± 20	0.338	0.48
JS4D18-220M	100KHz/0.1V	22	± 20	0.392	0.41
JS4D18-270M	100KHz/0.1V	27	± 20	0.441	0.35
JS4D18-330M	100KHz/0.1V	33	± 20	0.578	0.32
JS4D18-390M	100KHz/0.1V	39	± 20	0.642	0.3
JS4D18-470M	100KHz/0.1V	47	± 20	0.72	0.28

Special inquiries besides the above common used types can be meet

JS4D28

SHAPE AND DIMENSIONS



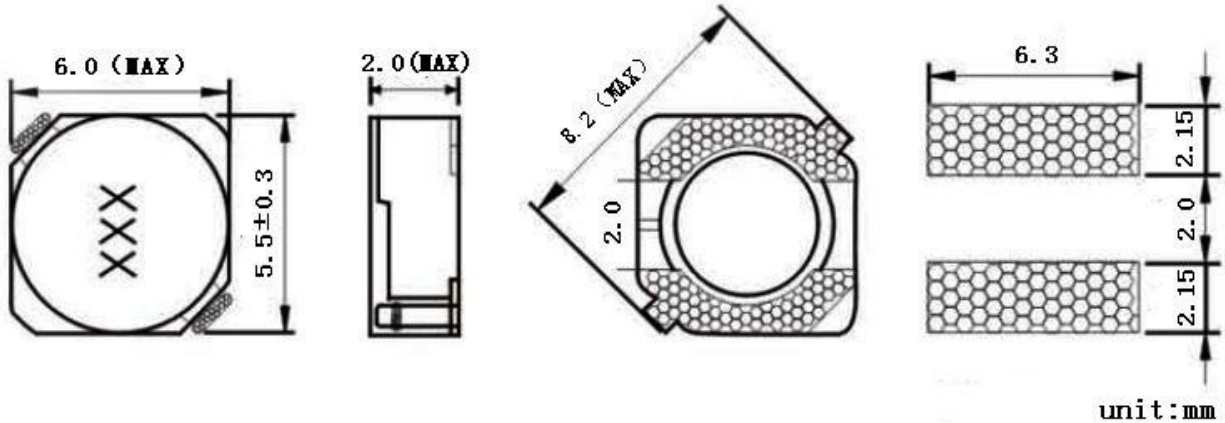
Electrical Characteristics JS4D28 Series

Part NO	Test Condition	Inductance(μ H)	Tolerance(%)	DC Resistance(Ω)Max	Rated Current(A)Max
JS4D28-1R5N	100KHz/0.1V	1.5	± 30	0.025	2.1
JS4D28-2R2N	100KHz/0.1V	2.2	± 30	0.031	2.04
JS4D28-4R7M	100KHz/0.1V	4.7	± 20	0.072	1.32
JS4D28-5R6M	100KHz/0.1V	5.6	± 20	0.1	1.17
JS4D28-8R2M	100KHz/0.1V	8.2	± 20	0.118	1.04
JS4D28-100M	100KHz/0.1V	10	± 20	0.128	1
JS4D28-150M	100KHz/0.1V	15	± 20	0.149	0.76
JS4D28-220M	100KHz/0.1V	22	± 20	0.235	0.7
JS4D28-330M	100KHz/0.1V	33	± 20	0.378	0.56
JS4D28-470M	100KHz/0.1V	47	± 20	0.587	0.48
JS4D28-560M	100KHz/0.1V	56	± 20	0.624	0.41
JS4D28-680M	100KHz/0.1V	68	± 20	0.699	0.35
JS4D28-820M	100KHz/0.1V	82	± 20	0.914	0.32
JS4D28-101M	100KHz/0.1V	100	± 20	1.02	0.29

Special inquiries besides the above common used types can be meet

JS5D18

SHAPE AND DIMENSIONS



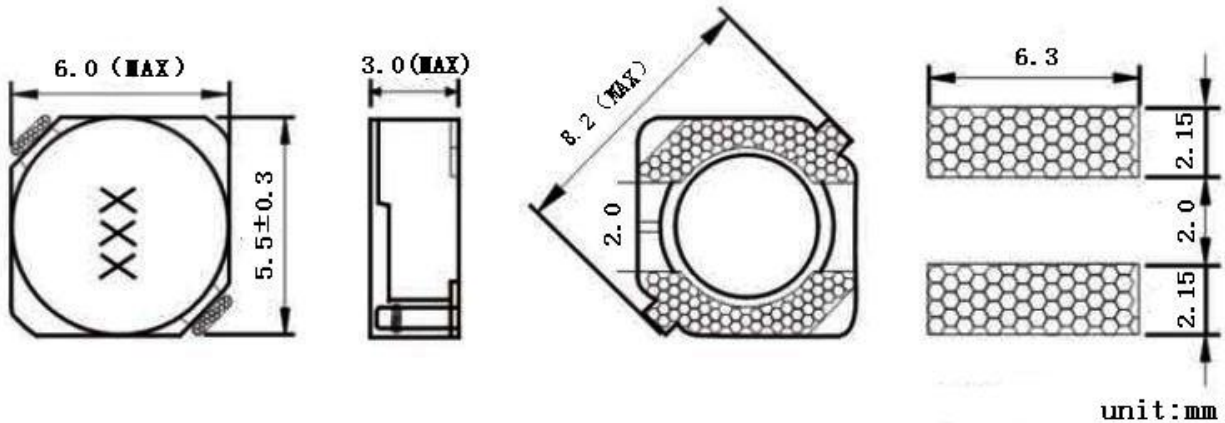
Electrical Characteristics JS5D18 Series

Part NO	Test Condition	Inductance(μ H)	Tolerance(%)	DC Resistance(Ω)Max	Rated Current(A)Max
JS5D18-3R3N	100KHz/0.1V	3.3	± 20	0.068	1.95
JS5D18-5R6M	100KHz/0.1V	5.6	± 20	0.078	1.6
JS5D18-8R2M	100KHz/0.1V	8.2	± 20	0.115	1.25
JS5D18-100M	100KHz/0.1V	10	± 20	0.124	1.2
JS5D18-120M	100KHz/0.1V	12	± 20	0.153	1.1
JS5D18-150M	100KHz/0.1V	15	± 20	0.196	0.9
JS5D18-180M	100KHz/0.1V	18	± 20	0.21	0.85
JS5D18-220M	100KHz/0.1V	22	± 20	0.29	0.8
JS5D18-270M	100KHz/0.1V	27	± 20	0.33	0.75
JS5D18-330M	100KHz/0.1V	33	± 20	0.386	0.65
JS5D18-390M	100KHz/0.1V	39	± 20	0.52	0.57
JS5D18-470M	100KHz/0.1V	47	± 20	0.595	0.54
JS5D18-560M	100KHz/0.1V	56	± 20	0.665	0.5
JS5D18-680M	100KHz/0.1V	68	± 20	0.84	0.43
JS5D18-820M	100KHz/0.1V	82	± 20	0.978	0.41
JS5D18-101M	100KHz/0.1V	100	± 20	1.2	0.36

Special inquiries besides the above common used types can be meet

JS5D28

SHAPE AND DIMENSIONS



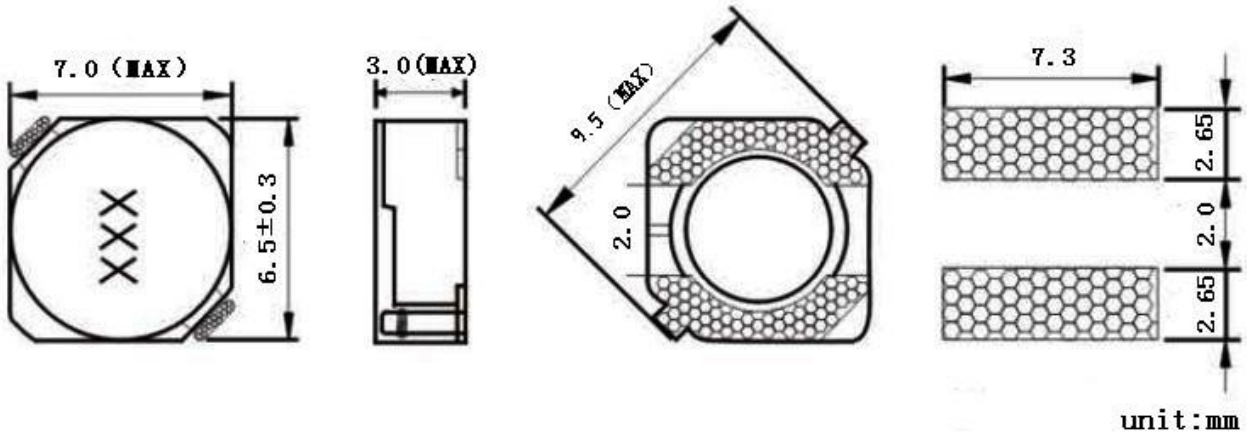
Electrical Characteristics JS5D28 Series

Part NO	Test Condition	Inductance(μH)	Tolerance(%)	DC Resistance(Ω)Max	Rated Current(A)Max
JS5D28-1R0N	100KHz/0.1V	1	±30	0.01	3
JS5D28-2R2N	100KHz/0.1V	2.2	±30	0.018	2.6
JS5D28-3R3N	100KHz/0.1V	3.3	±30	0.024	2.4
JS5D28-4R7M	100KHz/0.1V	4.7	±20	0.038	2.2
JS5D28-5R6M	100KHz/0.1V	5.6	±20	0.045	1.9
JS5D28-8R2M	100KHz/0.1V	8.2	±20	0.053	1.6
JS5D28-100M	100KHz/0.1V	10	±20	0.065	1.3
JS5D28-120M	100KHz/0.1V	12	±20	0.076	1.2
JS5D28-150M	100KHz/0.1V	15	±20	0.103	1.1
JS5D28-220M	100KHz/0.1V	22	±20	0.122	0.9
JS5D28-270M	100KHz/0.1V	27	±20	0.175	0.85
JS5D28-330M	100KHz/0.1V	33	±20	0.189	0.75
JS5D28-390M	100KHz/0.1V	39	±20	0.212	0.7
JS5D28-470M	100KHz/0.1V	47	±20	0.26	0.62
JS5D28-560M	100KHz/0.1V	56	±20	0.305	0.58
JS5D28-680M	100KHz/0.1V	68	±20	0.355	0.52
JS5D28-820M	100KHz/0.1V	82	±20	0.463	0.46
JS5D28-101M	100KHz/0.1V	100	±20	0.52	0.42
JS5D28-151M	100KHz/0.1V	150	±20	0.69	0.35

Special inquiries besides the above common used types can be mee

JS6D28

SHAPE AND DIMENSIONS



Electrical Characteristics JS6D28 Series

Part NO	Test Condition	Inductance(μ H)	Tolerance(%)	DC Resistance(Ω)Max	Rated Current(A)Max
JS6D28-3R0N	100KHz/0.1V	3	± 30	0.024	3
JS6D28-3R9N	100KHz/0.1V	3.9	± 30	0.027	2.6
JS6D28-4R7M	100KHz/0.1V	5	± 20	0.031	2.4
JS6D28-6R0M	100KHz/0.1V	6	± 20	0.035	2.25
JS6D28-7R3M	100KHz/0.1V	7.3	± 20	0.054	2.1
JS6D28-8R6M	100KHz/0.1V	8.6	± 20	0.058	1.85
JS6D28-100M	100KHz/0.1V	10	± 20	0.065	1.7
JS6D28-120M	100KHz/0.1V	12	± 20	0.07	1.55
JS6D28-150M	100KHz/0.1V	15	± 20	0.084	1.4
JS6D28-180M	100KHz/0.1V	18	± 20	0.095	1.32
JS6D28-220M	100KHz/0.1V	22	± 20	0.128	1.2
JS6D28-270M	100KHz/0.1V	27	± 20	0.142	1.05
JS6D28-330M	100KHz/0.1V	33	± 20	0.165	0.97
JS6D28-390M	100KHz/0.1V	39	± 20	0.21	0.86
JS6D28-470M	100KHz/0.1V	47	± 20	0.238	0.8

Special inquiries besides the above common used types can be meet

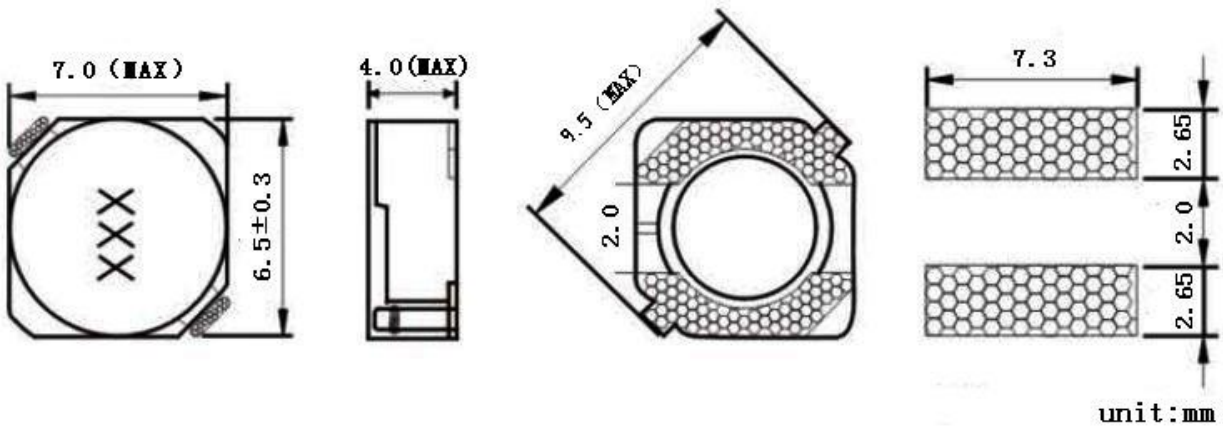
Electrical Characteristics JS6D28 Series

Part NO	Test Condition	Inductance(μH)	Tolerance(%)	DC Resistance(Ω)Max	Rated Current(A)Max
JS6D28-560M	100KHz/0.1V	56	±20	0.227	0.73
JS6D28-680M	100KHz/0.1V	68	±20	0.304	0.65
JS6D28-820M	100KHz/0.1V	82	±20	0.39	0.6
JS6D28-101M	100KHz/0.1V	100	±20	0.535	0.54

Special inquiries besides the above common used types can be meet

JS6D38

SHAPE AND DIMENSIONS



Electrical Characteristics JS6D38 Series

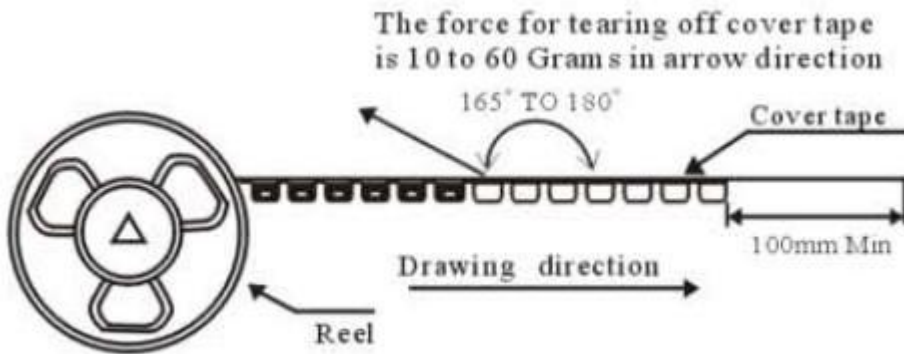
Part NO	Test Condition	Inductance(μH)	Tolerance(%)	DC Resistance(Ω)Max	Rated Current(A)Max
JS6D38-3R3N	100KHz/0.1V	3.3	±30	0.02	3.5
JS6D38-4R7M	100KHz/0.1V	4.7	±20	0.024	2.9
JS6D38-6R2M	100KHz/0.1V	6.2	±20	0.027	2.5
JS6D38-7R4M	100KHz/0.1V	7.4	±20	0.031	2.3
JS6D38-8R7M	100KHz/0.1V	8.7	±20	0.034	2.2

Special inquiries besides the above common used types can be meet

Electrical Characteristics JS6D38 Series

Part NO	Test Condition	Inductance(μ H)	Tolerance(%)	DC Resistance(Ω)Max	Rated Current(A)Max
JS6D38-100M	100KHz/0.1V	10	± 20	0.038	2
JS6D38-120M	100KHz/0.1V	12	± 20	0.053	1.7
JS6D38-150M	100KHz/0.1V	15	± 20	0.057	1.6
JS6D38-180M	100KHz/0.1V	18	± 20	0.092	1.5
JS6D38-220M	100KHz/0.1V	22	± 20	0.096	1.3
JS6D38-270M	100KHz/0.1V	27	± 20	0.109	1.2
JS6D38-330M	100KHz/0.1V	33	± 20	0.124	1.1
JS6D38-390M	100KHz/0.1V	39	± 20	0.138	1
JS6D38-470M	100KHz/0.1V	47	± 20	0.155	0.95
JS6D38-560M	100KHz/0.1V	56	± 20	0.202	0.85
JS6D38-680M	100KHz/0.1V	68	± 20	0.234	0.75
JS6D38-820M	100KHz/0.1V	82	± 20	0.324	0.7
JS6D38-101M	100KHz/0.1V	100	± 20	0.558	0.65
JS6D38-121M	100KHz/0.1V	120	± 20	0.47	0.53
JS6D38-151M	100KHz/0.1V	150	± 20	0.58	0.5
JS6D38-181M	100KHz/0.1V	180	± 20	0.69	0.45
JS6D38-221M	100KHz/0.1V	220	± 20	0.89	0.43
JS6D38-271M	100KHz/0.1V	270	± 20	1.29	0.4
JS6D38-331M	100KHz/0.1V	330	± 20	1.7	0.37
JS6D38-391M	100KHz/0.1V	390	± 20	1.75	0.34
JS6D38-471M	100KHz/0.1V	470	± 20	2.2	0.32
JS6D38-561M	100KHz/0.1V	560	± 20	2.85	0.29
JS6D38-681M	100KHz/0.1V	680	± 20	3.2	0.25
JS6D38-821M	100KHz/0.1V	820	± 20	4.05	0.22
JS6D38-102M	100KHz/0.1V	1000	± 20	5.7	0.2

Special inquiries besides the above common used types can be meet



TYPE	QUANTITIES PCS/reel	TYPE	QUANTITIES PCS/reel
JS4D11	3000	JS5D18	2000
JS4D16	3000	JS5D28	2000
JS4D18	3000	JS6D28	1500
JS4D28	2000	JS6D38	1000