



SMD POWER INDUCTOR

JCDRR SERIES



FEATURES/APPLICATOINS

- .Carrier tape packing use for SMT
- .High rated current & Low DCR,Quadrate;Width:6.3mm~10.6mm,Height:3.0mm~5.0mm.
- .Magnetically shielded construction
- .Suitable for reflow SMT craft soldering
- .Lead free products, RoHS compliant
- .Widely use in Digital products & Scanner/DC-DC converter/Power supply for VTP/LCD monitor/portable terminal equipment/Telecommunications/Notebook and PC Peripheral equipments etc

PRODUCT INDICATION

JCDRR **103** **-** **220** **M**
① ② ③ ④

- ① Product type: JCDRR type
- ② External dimension: Quadrate, 10 for Width 10.0mm
3 for Height 3.0mm
- ③ Electrical code: 220 for 22 μ H
- ④ Tolerance: K for $\pm 10\%$; M for $\pm 20\%$

Page

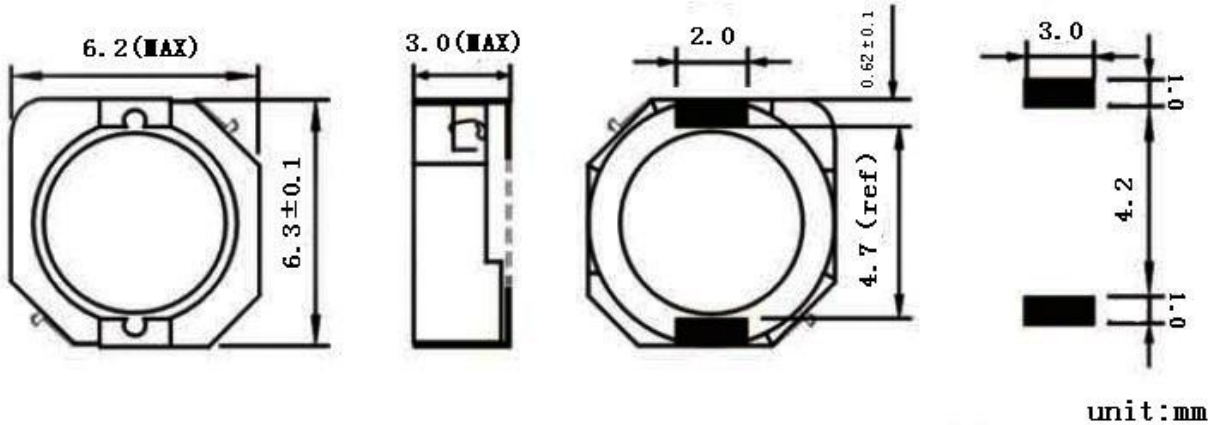
JCDRR63	3
JCDRR103	4
JCDRR104	5
JCDRR105	6

Notes:

- Inductance instrument: HP4286A/CH1062A or LCR Meter equivalent.
- Inductance testing condition: 100KHz/1KHz.
- DCR instrument: TH2512B or DCR test equipment equivalent .
- Rated Current test: VR7210&VR113H.
- Rated Current definition: Inductance drop by 25% or temperature rise by 40 $^{\circ}$ C , the lesser of the minimum as the rated current.
- Temperature storage range: -25 $^{\circ}$ C~80 $^{\circ}$ C; the relative humidity: RH65%~85%.

JCDRR63

SHAPE AND DIMENSIONS



Electrical Characteristics JCDRR63 Series

Part NO	Test Condition	Inductance(μH)	Tolerance(%)	DC Resistance(Ω)Max	Rated Current(A)Max
JCDRR63-2R7M	100KHz/0.1V	2.7	±20	0.018	2.6
JCDRR63-3R3M	100KHz/0.1V	3.3	±20	0.02	2.3
JCDRR63-5R0M	100KHz/0.1V	5	±20	0.031	1.85
JCDRR63-8R0M	100KHz/0.1V	8	±20	0.05	1.5
JCDRR63-100M	100KHz/0.1V	10	±20	0.054	1.3
JCDRR63-120M	100KHz/0.1V	12	±20	0.072	1.2
JCDRR63-150M	100KHz/0.1V	15	±20	0.082	1.1
JCDRR63-180M	100KHz/0.1V	18	±20	0.102	1.05
JCDRR63-220M	100KHz/0.1V	22	±20	0.119	0.95
JCDRR63-270M	100KHz/0.1V	27	±20	0.146	0.85
JCDRR63-330M	100KHz/0.1V	33	±20	0.183	0.76
JCDRR63-390M	100KHz/0.1V	39	±20	0.21	0.68

Special inquiries besides the above common used types can be meet

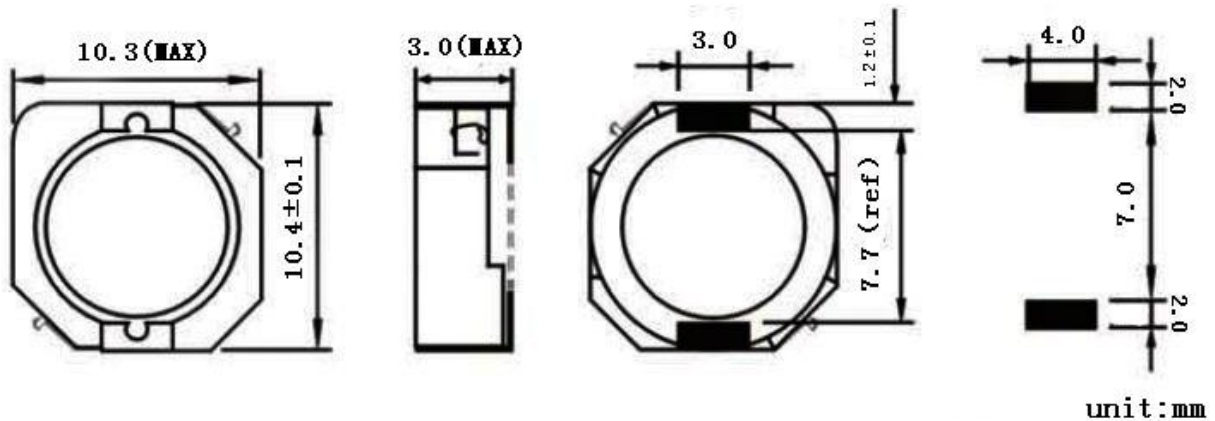
Electrical Characteristics JCRR63 Series

Part NO	Test Condition	Inductance(μ H)	Tolerance(%)	DC Resistance(Ω)Max	Rated Current(A)Max
JCRR63-470M	100KHz/0.1V	47	± 20	0.23	0.6
JCRR63-560M	100KHz/0.1V	56	± 20	0.305	0.55
JCRR63-680M	100KHz/0.1V	68	± 20	0.351	0.48
JCRR63-820M	100KHz/0.1V	82	± 20	0.419	0.45
JCRR63-101M	100KHz/0.1V	100	± 20	0.52	0.4

Special inquiries besides the above common used types can be meet

JCRR103

SHAPE AND DIMENSIONS



Electrical Characteristics JCRR103 Series

Part NO	Test Condition	Inductance(μ H)	Tolerance(%)	DC Resistance(Ω)Max	Rated Current(A)Max
JCRR103-100M	100KHz/0.1V	10	± 20	0.058	2.7
JCRR103-120M	100KHz/0.1V	12	± 20	0.072	2.25
JCRR103-150M	100KHz/0.1V	15	± 20	0.086	2.22
JCRR103-180M	100KHz/0.1V	18	± 20	0.116	1.9

Special inquiries besides the above common used types can be meet

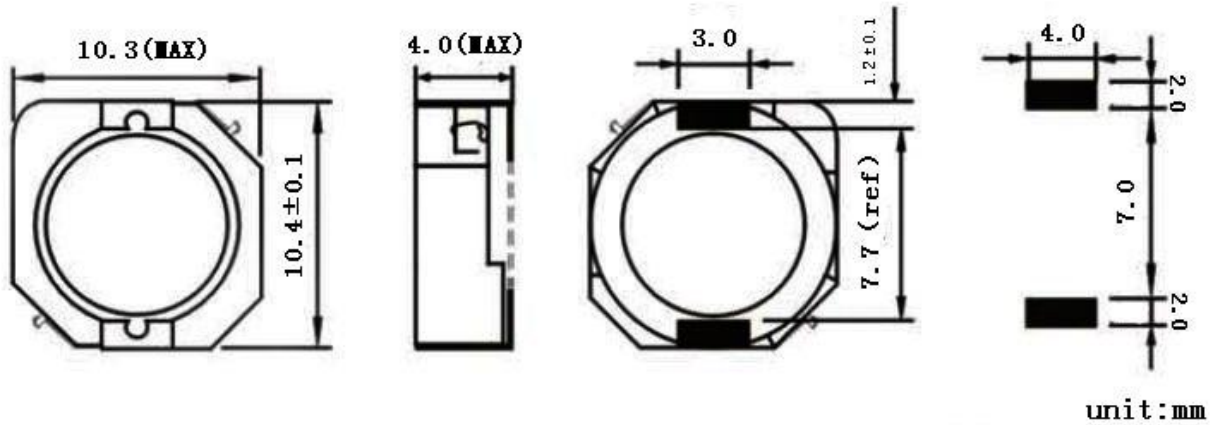
Electrical Characteristics JCRR103 Series

Part NO	Test Condition	Inductance(μ H)	Tolerance(%)	DC Resistance(Ω)Max	Rated Current(A)Max
JCRR103-220M	100KHz/0.1V	22	± 20	0.145	1.78
JCRR103-270M	100KHz/0.1V	27	± 20	0.175	1.63
JCRR103-330M	100KHz/0.1V	33	± 20	0.213	1.5
JCRR103-390M	100KHz/0.1V	39	± 20	0.269	1.32
JCRR103-470M	100KHz/0.1V	47	± 20	0.299	1.18
JCRR103-560M	100KHz/0.1V	56	± 20	0.336	1.1
JCRR103-680M	100KHz/0.1V	68	± 20	0.451	1.04
JCRR103-820M	100KHz/0.1V	82	± 20	0.534	0.94
JCRR103-101M	100KHz/0.1V	100	± 20	0.7	0.84
JCRR103-121M	100KHz/0.1V	120	± 20	0.705	0.76
JCRR103-151M	100KHz/0.1V	150	± 20	0.876	0.7

Special inquiries besides the above common used types can be meet

JCRR104

SHAPE AND DIMENSIONS



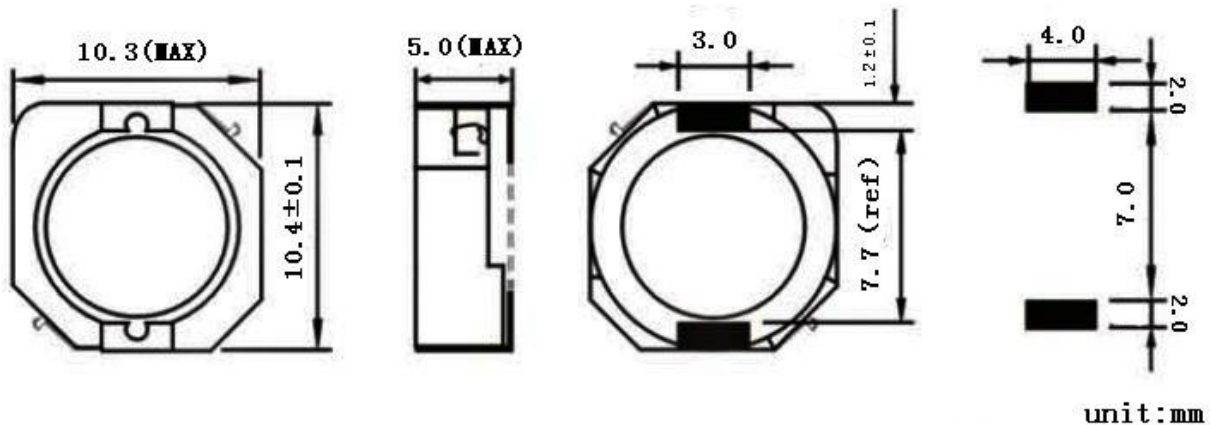
Electrical Characteristics JCRR104 Series

Part NO	Test Condition	Inductance(μ H)	Tolerance(%)	DC Resistance(Ω)Max	Rated Current(A)Max
JCRR104-1R5M	100KHz/0.1V	1.5	± 20	0.008	10
JCRR104-2R5M	100KHz/0.1V	2.5	± 20	0.01	7.5
JCRR104-3R8M	100KHz/0.1V	3.8	± 20	0.013	6
JCRR104-5R2M	100KHz/0.1V	5.2	± 20	0.022	5.5
JCRR104-7R0M	100KHz/0.1V	7	± 20	0.027	4.8
JCRR104-100M	100KHz/0.1V	10	± 20	0.035	4.4
JCRR104-150M	100KHz/0.1V	15	± 20	0.05	3.6
JCRR104-220M	100KHz/0.1V	22	± 20	0.073	2.9
JCRR104-330M	100KHz/0.1V	33	± 20	0.093	2.3
JCRR104-470M	100KHz/0.1V	47	± 20	0.128	2.1
JCRR104-680M	100KHz/0.1V	68	± 20	0.213	1.5
JCRR104-101M	100KHz/0.1V	100	± 20	0.304	1.35
JCRR104-151M	100KHz/0.1V	150	± 20	0.506	1.15
JCRR104-221M	100KHz/0.1V	220	± 20	0.756	0.92
JCRR104-331M	100KHz/0.1V	330	± 20	1.09	0.7

Special inquiries besides the above common used types can be meet

JCRR105

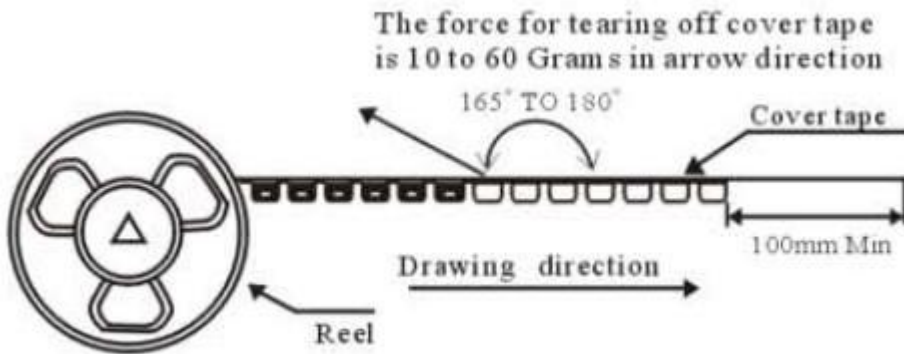
SHAPE AND DIMENSIONS



Electrical Characteristics JCRR105 Series

Part NO	Test Condition	Inductance(μ H)	Tolerance(%)	DC Resistance(Ω)Max	Rated Current(A)Max
JCRR105-100M	100KHz/0.1V	10	± 20	0.026	4.5
JCRR105-120M	100KHz/0.1V	12	± 20	0.032	4
JCRR105-150M	100KHz/0.1V	15	± 20	0.04	3.65
JCRR105-180M	100KHz/0.1V	18	± 20	0.046	3.20
JCRR105-220M	100KHz/0.1V	22	± 20	0.059	2.95
JCRR105-270M	100KHz/0.1V	27	± 20	0.065	2.7
JCRR105-330M	100KHz/0.1V	33	± 20	0.081	2.4
JCRR105-390M	100KHz/0.1V	39	± 20	0.103	2.3
JCRR105-470M	100KHz/0.1V	47	± 20	0.122	2.2
JCRR105-560M	100KHz/0.1V	56	± 20	0.145	1.9
JCRR105-680M	100KHz/0.1V	68	± 20	0.193	1.65
JCRR105-820M	100KHz/0.1V	82	± 20	0.219	1.5
JCRR105-101M	100KHz/0.1V	100	± 20	0.247	1.4
JCRR105-121M	100KHz/0.1V	120	± 20	0.298	1.28
JCRR105-151M	100KHz/0.1V	150	± 20	0.355	1.2
JCRR105-181M	100KHz/0.1V	180	± 20	0.393	1.04
JCRR105-221M	100KHz/0.1V	220	± 20	0.484	1
JCRR105-271M	100KHz/0.1V	270	± 20	0.633	0.84
JCRR105-331M	100KHz/0.1V	330	± 20	0.788	0.75
JCRR105-391M	100KHz/0.1V	390	± 20	0.958	0.7
JCRR105-471M	100KHz/0.1V	470	± 20	1.22	0.6
JCRR105-561M	100KHz/0.1V	560	± 20	1.352	0.54
JCRR105-681M	100KHz/0.1V	680	± 20	1.519	0.52
JCRR105-821M	100KHz/0.1V	820	± 20	1.694	0.5
JCRR105-102M	100KHz/0.1V	1000	± 20	1.964	0.48

Special inquiries besides the above common used types can be meet



TYPE	QUANTITIES PCS/reel	TYPE	QUANTITIES PCS/reel
JCDRR63	2500	JCDRR104	1000
JCDRR103	1000	JCDRR105	750