

SHENZHEN BRILLIANT CRYSTAL TECHNOLOGIC CO.,LTD.

深 圳 市 彩 晶 科 技 有 限 公 司

The specification for the following models :

CM128128-6FLWAA-3

PROPOSED BY		APPROVED
Design	Approved	

TEL:+86-755-29995238

FAX:+86-755-29459900

[Http://www.cj86.com](http://www.cj86.com)

E-mail:szcj86@gmail.com

[Http://www.szcm-lcd.com](http://www.szcm-lcd.com)

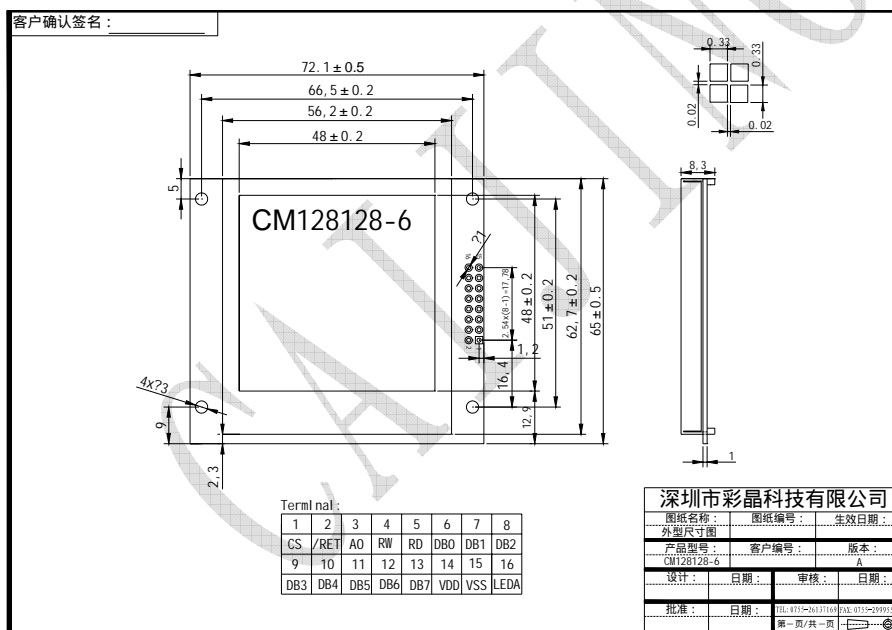
E-mail:szcj86@hotmail.com

地址：深圳市南山区西丽留仙洞工业区顺和达厂区 B 栋

1. Mechanical Specification

ITEM	STANDARD VALUE		UNIT
Dot Matrix	128 X 128 DOTS		--
MODULE DIMENSION	72.1 (W) X 65.0 (H) X 9.0 (T)		mm
VIEWING DISPLAY AREA	48.0 (W) X 48.0 (H)		mm
ACTIVE DISPLAY AREA	44.78 (W) X 44.78 (H)		mm
DOT SIZE	0.33 (W) X 0.33 (H)		mm
DOT PITCH	0.02 (W) X 0.02 (H)		mm
DRIVE METHOD	1/128 Duty , 1/12 BIAS		
VIEWING DIRECTION	6 O'clock		
LED Backlight Color	White		
Backlight Input	DC +3.0V	V	mA
LED backlight current	37		mA
Backlight Half-Lift Time	35,000		HR.
INPUT VOLAGE	DC +3.0V	V	mA
LCD DRIVER	ST7541		
Weight			

2. Mechanical Diagram



3. Interface Pin Connections

NO	SYMBOL	LEVEL	FUNCTION
1	CS	I	Chip select signal
2	/RES	I	Reset signal
3	AO	I	Data type selection
4	RW	I	8080 interface: write signal 6800 interface: "H" read signal "L" write signal
5	RD	I	8080 interface: read signal 6800 interface: enable signal
6	D0	H/L	数据线 0
7	D1	H/L	数据线 1
8	D2	H/L	数据线 2
9	D3	H/L	数据线 3
10	D4	H/L	数据线 4
11	D5	H/L	数据线 5
12	D6	H/L	数据线 6
13	D7	H/L	数据线 7
14	VDD	+3V	Power 3.0V,电源正极
15	VSS	0V	Power ground
16	LEDA	+3V	LED backlight power(+3V)

4. Absolute Maximum Ratings

ITEM	SYMBOL	MIN.	TYPE	MAX.	UNIT
OPERATING TEMPERATURE	TOP	0/-20	--	+50/+70	
STORAGE TEMPERATURE	TST	-10/-30	--	+60/+80	
INPUT VOLTAGE	VI	2.8	3.0	3.2	V
SUPPLY VOLTAGE FOR LOGIC	VDD-VSS	--	3.0	3.3	V
SUPPLY VOLTAGE FOR LCD	VDD-VO	--	--	12	V
STATIC ELECTRICITY	Be sure that you are grounded when handing LCM.				