

LEDEL-your solution to signage lighting

Series Name: M60 Waterproof

Item No: LL-Z12FT6615X3A



Product Feature:

1. 5050 SMD TopLED as light source, super luminous flux.
2. large viewing angle with even light shadow.
3. lower light decay and long life span up to 50000 hours.
4. Low cost against high performance, good color uniformity.
5. Energy saving, environment-friendly.
6. Suitable for backlighting to channel letters and light boxes.
7. Suitable for accent lighting, edge lighting.
8. outdoor series, IP66.
9. Easy installation and maintenance free.

Specification

LED Type SMD5050 (3-IN-1,60mA) Top LED

Available Color R/G/B/Y/W/WW

Angle($2\theta_{1/2}$) 160°

Luminous Flux (lm)

Red Light	Green Light	Blue Light	Yello Light	White Light	Warm White
7	12	7	7	20-22	20

Wavelength Scope (nm / K)

Red Light	Green Light	Blue Light	Yello Light	White Light	Warm White
619~635	512~528	463~475	584~595	5500-6500	2800-3500

LED Qty 3 PCS

Life Span 50,000 Hours

Electrical Parameters

Working Voltage 12VDC

Power consumption Maximum 0.72W

Driving Method constant voltage

Wires & Series Connection Length

Wires 100mm long, 20AWG gray wire and white wires.
gray: positive, white: negative

Standard chain in serial connection per link 20PCS

Maximum quantity in serial connection ≤ 25 pcs

Outer Parameter

Shell /housing material ABS milky white

Dimension 66mm (L)*15mm(W)*7mm(H)

PCB Color White

Way of installation

Screw screwing on both side

Double-sided adhesive tape at size of tape:45mm*12mm*0.2mm, "3M" (or the back other brand) double-sided adhesive tape

Environment Parameter

Working Temperature -40°C — 60°C

Storage Temperature -50°C — 80°C

IP Degree IP66

Series Number:

LL-Z12FT6615R3A Red

LL-Z12FT6615G3A Green

LL-Z12FT6615B3A Blue

LL-Z12FT6615Y3A Yellow

LL-Z12FT6615W3A White

LL-Z12FT6615WW3A Warm white

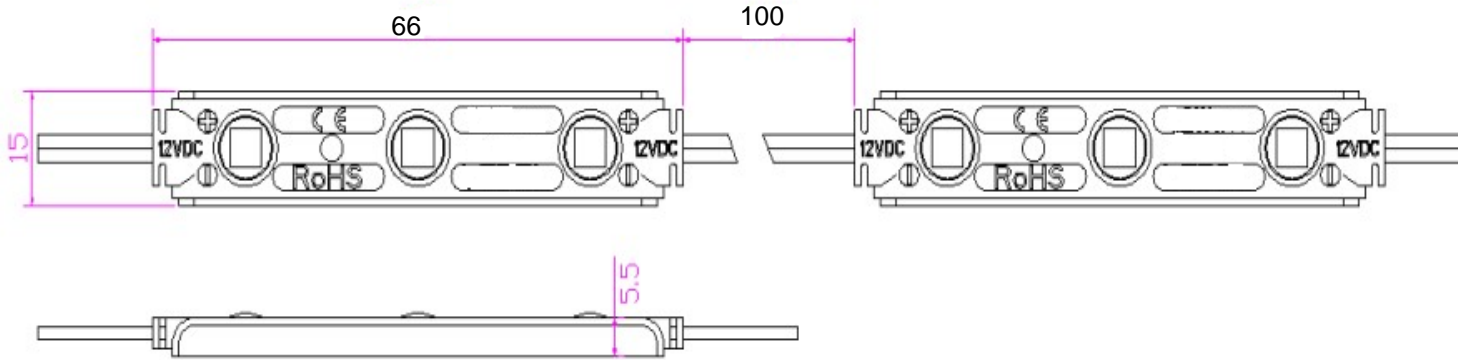


RoHS

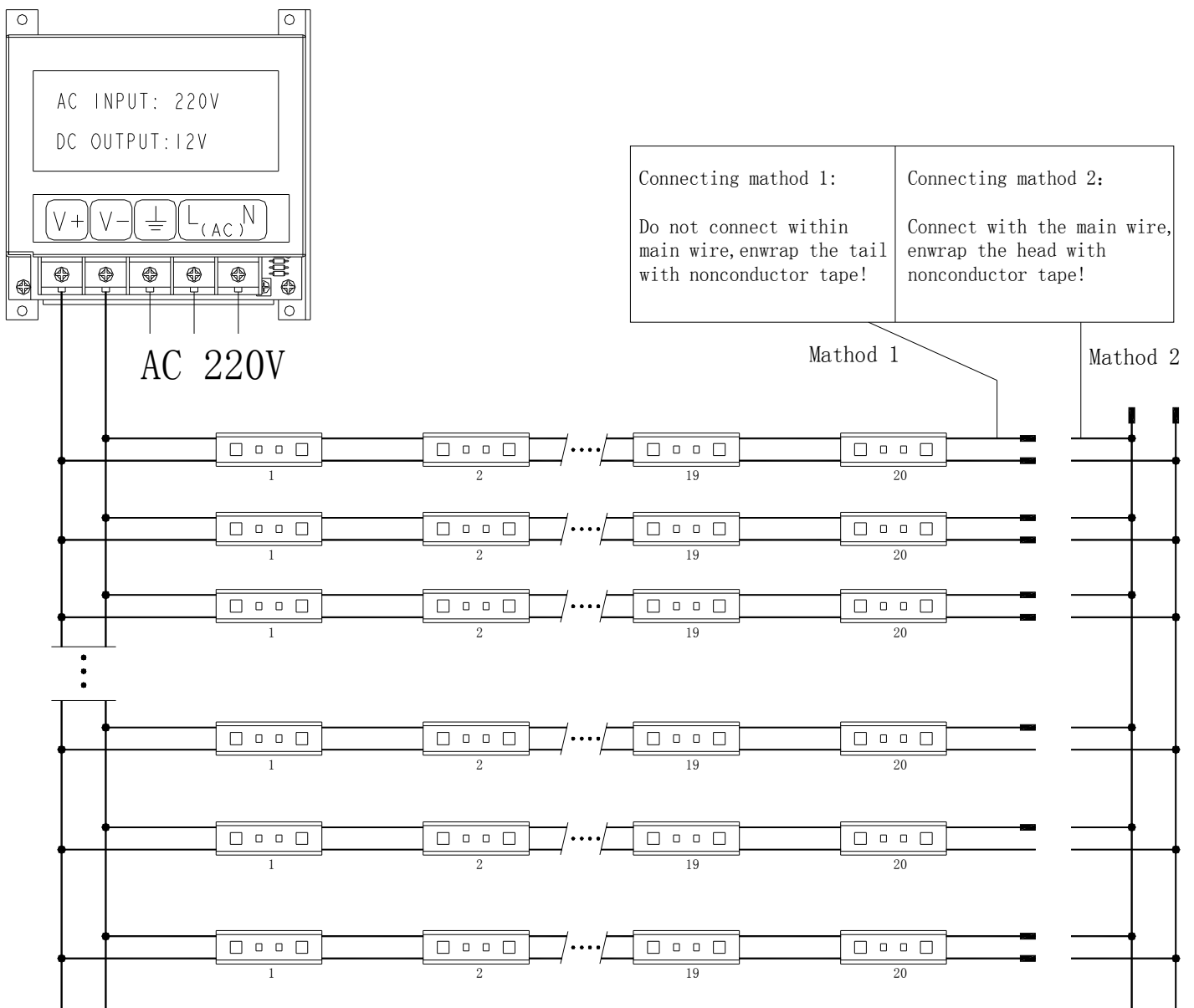


LEDEL-your solution to signage lighting

Dimension (Unit: mm) :



Connection Diagram (Unit: mm) :

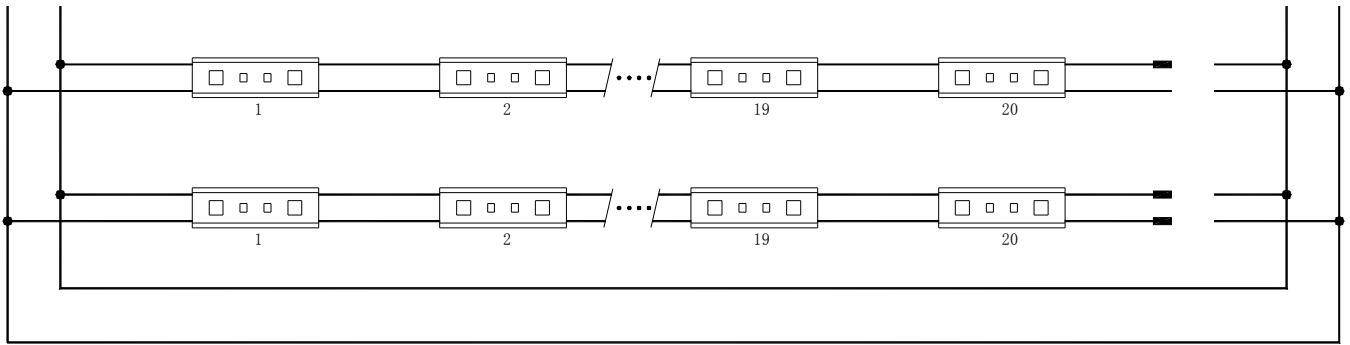


Version code:

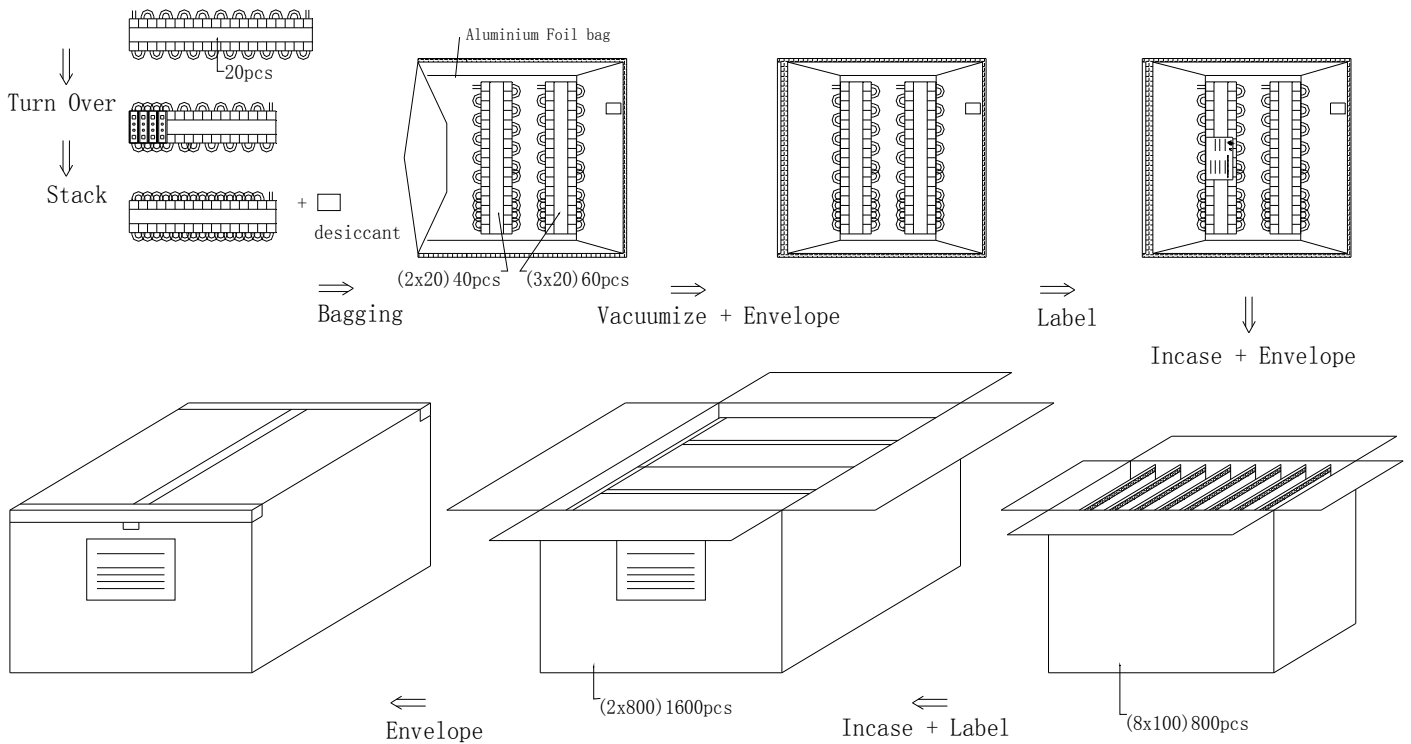
REV: A/0

DATE:

LEDEL-your solution to signage lighting



Outer Package Dimension (Unit: mm) :



Cautions:

1. 5 chains (100pcs of modules) in one aluminum -foil bag .
2. 8 bags (600 pcs of modules) in one small cardboard carton
3. One outer cardboard carton contains two small cartons . (1600 pcs in one outer carton)
4. Net Weight:11.5Kg/1000pcs
- 5.Gross Weight :12.5kg /1000pcs