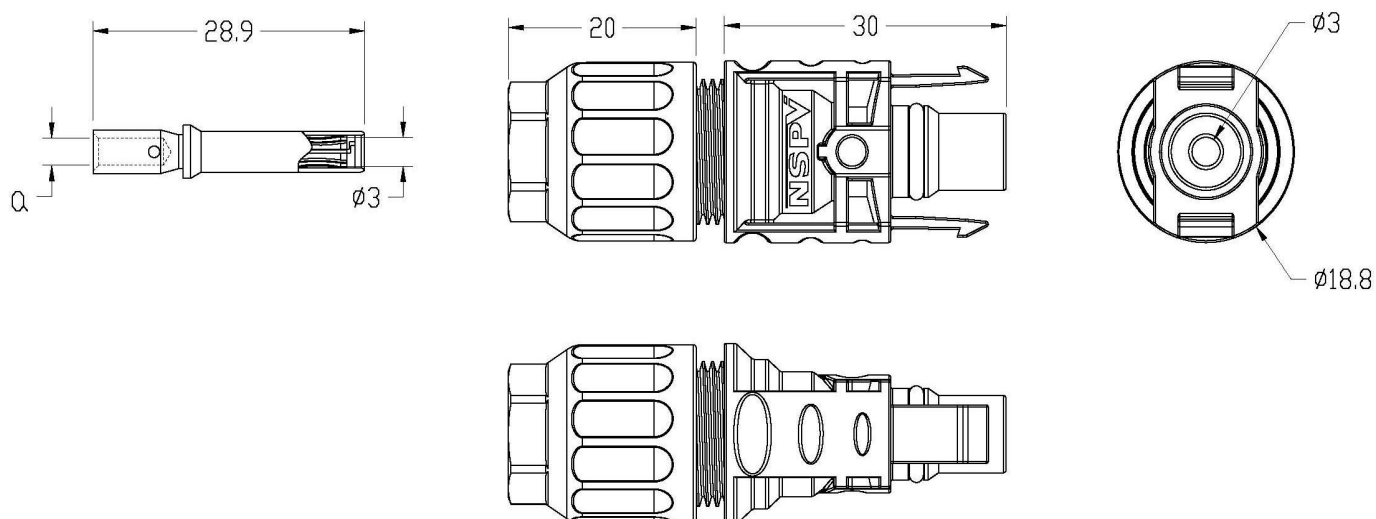


PV 3.0 Cable Female Connector

Rev.:A/0
Date: 2011/06/25

Product Specifications	
Insulation material	PPE
Rated current	30A
Rated voltage	1000V (TUV) & 600V (UL)
Test voltage	6kV(50Hz,Imin)
Typical contact resistance	$\leq 5 \text{ m}\Omega$
Contact material	Copper, Tin plated
Degree of protection	IP2X/IP67
Safety degree	II
Flame class	UL94-V0
Material RTI	110°C
Withdrawal force	$\geq 50\text{N}$
Insertion force	$\leq 50\text{N}$
Ambient temperature range	-40°C until +85°C
Suitable cable cross sections	2.5~6.0 mm ² (10AWG~14AWG)
Pin dimensions	$\Phi 3.0$
The torque of screw caps lock	2.0~2.5Nm

Drawing:



Part No.	“a”(Terminal Size)	For Cable Size
3C2510-002	$\Phi 2.1 \pm 0.2 \text{ mm}$	2.5 mm ² & 14AWG
3C4010-002	$\Phi 2.8 \pm 0.2 \text{ mm}$	4.0 mm ² & 12AWG
3C6010-002	$\Phi 3.4 \pm 0.2 \text{ mm}$	6.0 mm ² & 10AWG