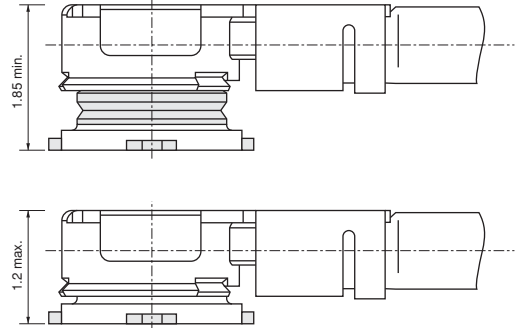
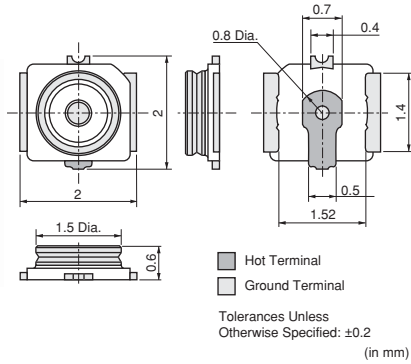


高频同轴连接器



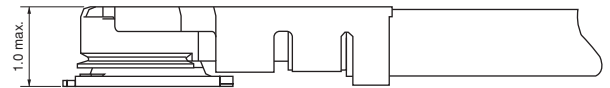
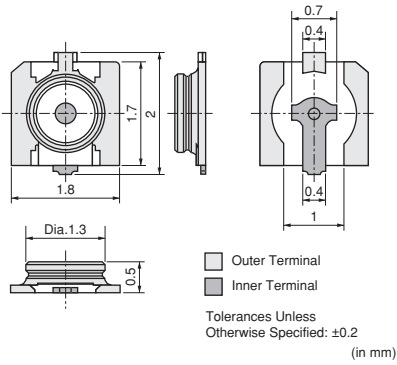
高频同轴电缆连接器

MM4829-2702



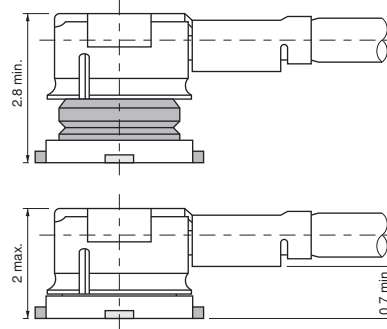
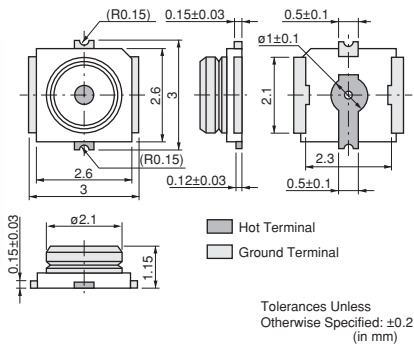
Dimensions

MM5829-2700



Dimensions

MM9329-2700



Dimensions

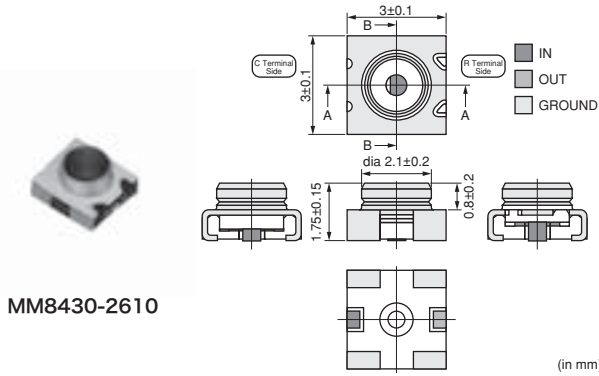
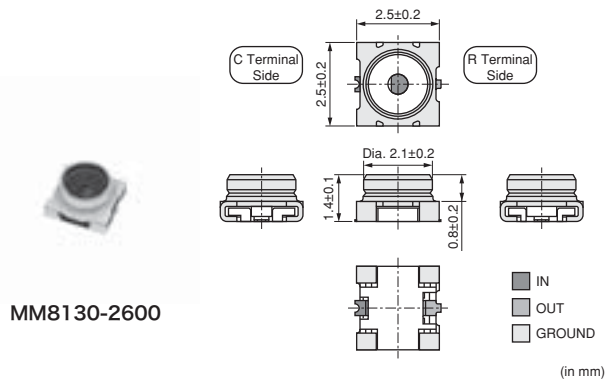
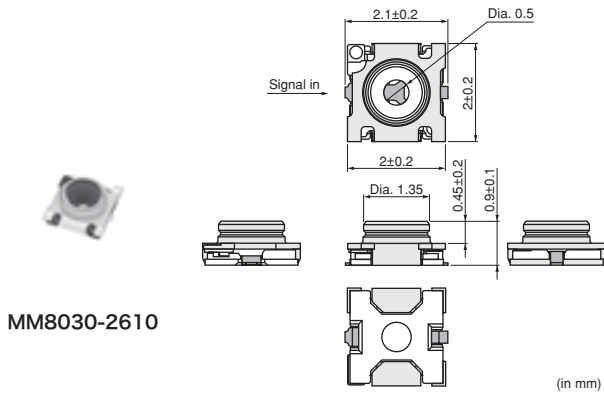
品名	额定电压 (V)	使用频率 (GHz)	温度范围	驻波比
MM4829-2702	250	to 6.0	-40 to +85°C	1.3 max. (DC to 3GHz)
MM5829-2700	30	to 12	-40 to +85°C	1.3 max. (DC to 3GHz)
MM9329-2700	250	to 6.0	-40 to +90°C	1.2 max. (DC to 3GHz)
MXHP32	250	to 6.0	-40 to +85°C	1.3 max. (DC to 3GHz)
MXJA01	30	to 12	-40 to +85°C	1.3 max. (DC to 3GHz)
MXTK92	250	to 6.0	-40 to +90°C	1.2 max. (DC to 3GHz)

阻抗值: 50ohm

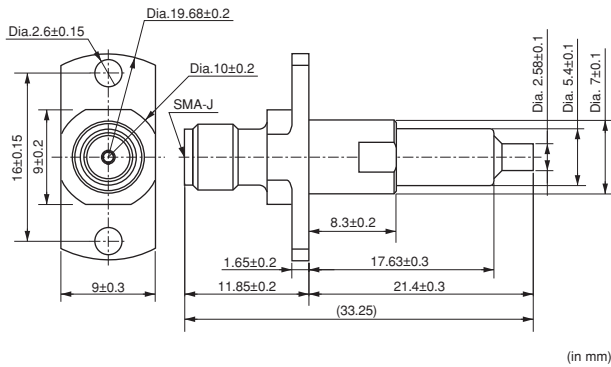
高频同轴连接器



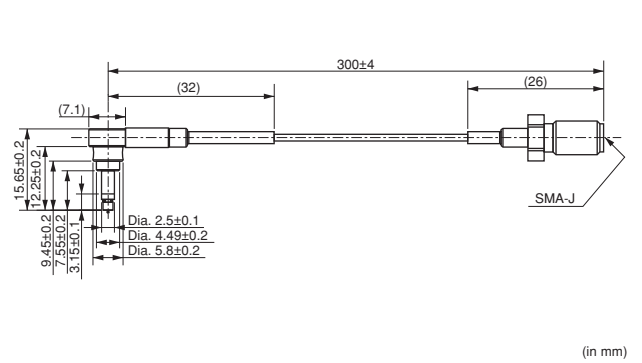
带开关同轴连接器



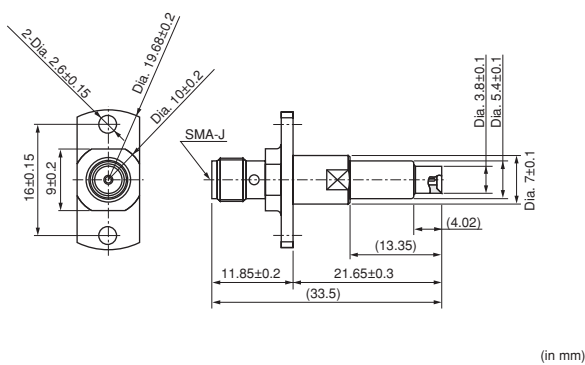
Measurement Probe for MM8030-2610
(P/N: MM126310)



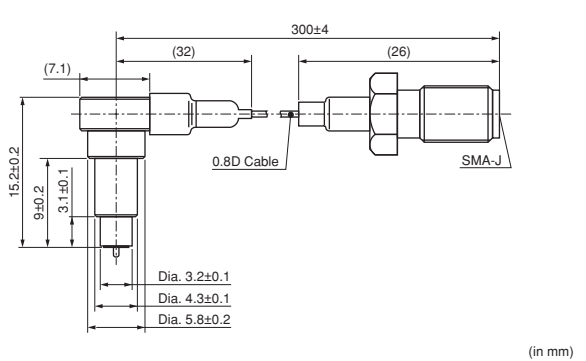
Measurement Probe for MM8030-2610
(P/N: MXHQ87WA3000)



Measurement Probe for MM8130-2600/MM8430-2610
(P/N: MM126036)

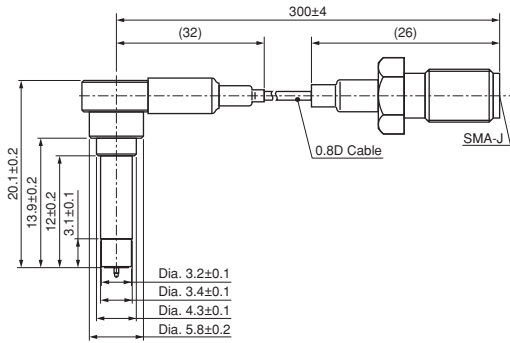


Measurement Probe for MM8130-2600/MM8430-2610
(P/N: MXHS83QE3000)



☐ 接上页。

Measurement Probe for MM8130-2600/MM8430-2610
 (P/N: MXHS83QH3000)



(in mm)

品名	额定电压 (Vrms)	使用频率 (GHz)	温度范围	驻波比
MM8030-2610	250	to 11	-40 to +85°C	1.2 max. (DC to 3GHz)
MM8130-2600	250	to 6	-40 to +85°C	1.2 max. (DC to 3GHz)
MM8430-2610	250	to 6	-40 to +85°C	1.2 max.(DC to 3GHz)

阻抗值: 50ohm