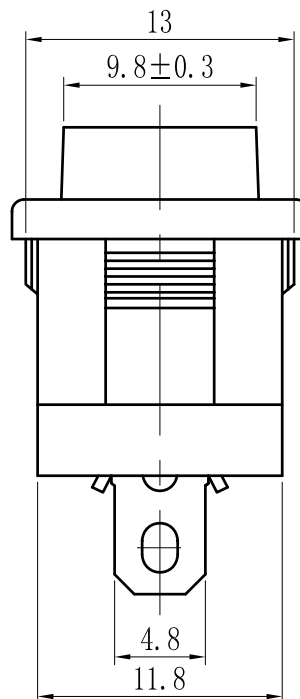
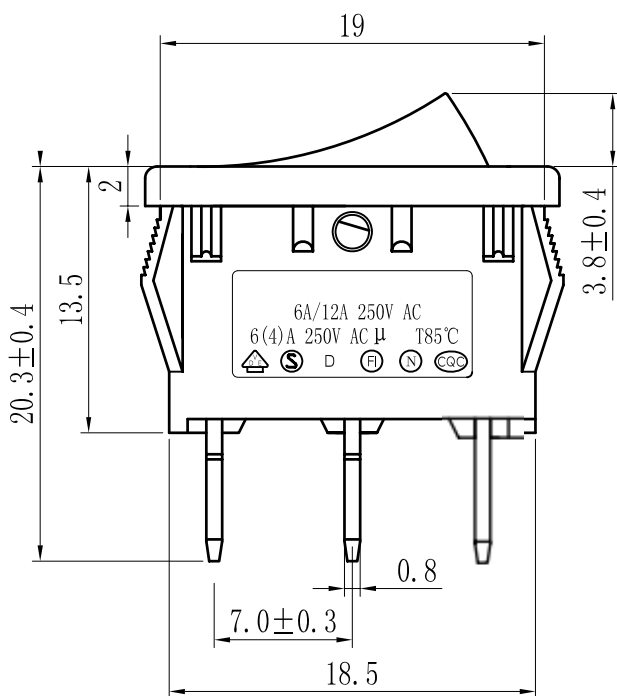


PANEL THICKNESS	DIM. X
0.75-1.25	19.2/19.1
1.25-2.0	19.4/19.3
2.0-3.0	19.8/19.7



Cap Printing	
0	None
1	
2	
3	
8	
15	

承认SPECIFICATIONS:UL, CUL, VDE, S, D, N, FI, CQC

规格RATING:8A250VAC/10A125VAC 6A/12A 250VAC 6 (4) A250VAC T85

接触电阻CONTACT RESISTANCE: 30mΩ (MAX)

绝缘阻抗INSULATION RESISTANCE: 100MΩ 500VDC(MIN)

耐压强度WITHSTAND VOLTAGE: 1500VAC-1MINUTE

电气寿命LIFE EXPECTANCY: OVER 10, 000 CYCLES

操作力Operation:3-8N

Color	Cap/Housing
BK	Black
WT	White
RE	Red
OR	Orange
GR	Green
BL	Blue
GE	Grey

佛山市惠远电器制品有限公司
Foshan HuiYuan Electric Co., Ltd
地址：佛山市南海区桂城叠北工业区
传真：0757-81807890 电话：0757-63305816

佛山市展远电子有限公司
Foshan City Exhibition far Electronics Co. Ltd.
地址：佛山市南海区华南城D区
网站：<http://www.hydq-china.com/>