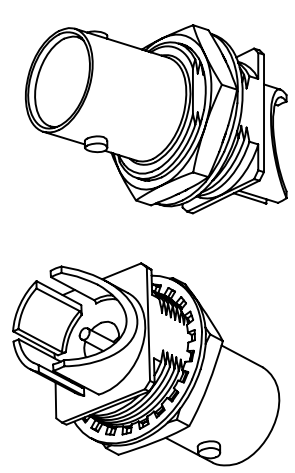
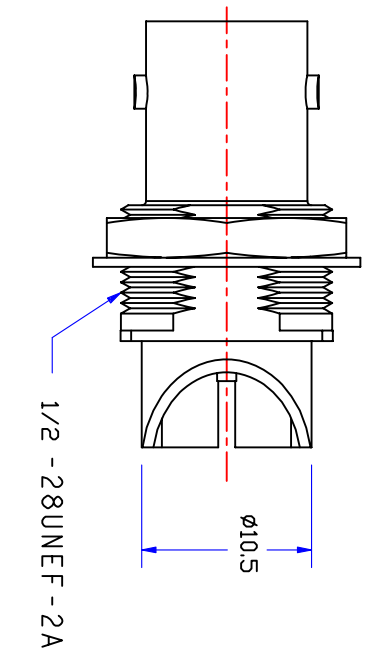
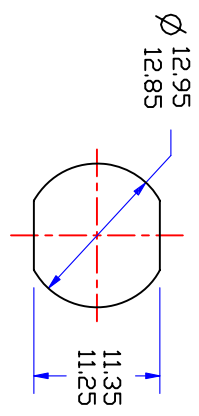
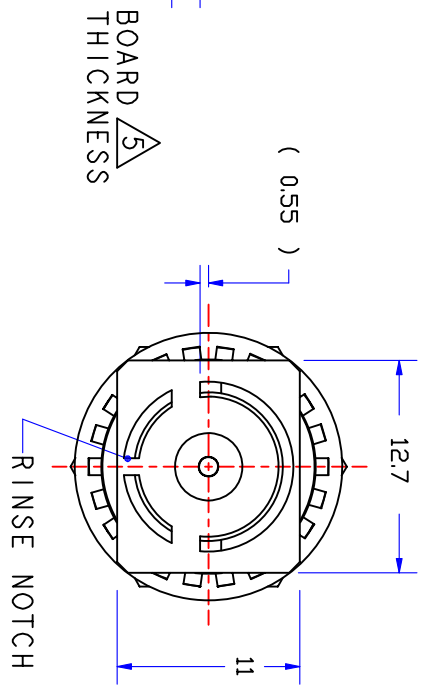
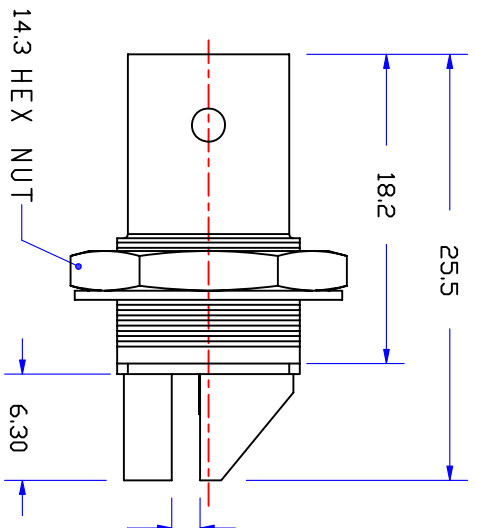




Product NO.		DOSIN-801-0075		
REV	DESCRIPTION	DWN	DATE	APPROVEN
A	First Issue	JIM	2012/11/02	John kime



SCALE 2/1



RECOMMENDED  
PANEL CUT-OUT

### Specifications

Impedance: 75 Ohms  
 Frequency Range: DC~3G  
 VSWR: 1.3MAX  
 Working Voltage: 500V rms @ sea level  
 Insulation Resistance: 5000 Ohms min  
 Temperature Range: -55°C T0 +155°C  
 Relative Temperature:  $\leq 95\%$  (40°C  $\pm 2^\circ$  C)  
 Drawings products are in line with ROHS standards

NOTE:

DRAWN	Zelin Zhang	2012/11/10	Tolerance	0-6 6-30 30-120 Angular	$\pm 0.10$ $\pm 0.20$ $\pm 0.40$ $\pm 2^\circ$
CHECKED			View		
UNIT			MM		
SCALE			1:1		

Name: BNC CONNECTOR

Dosin Industrial(H.K)Co.Ltd  
 东莞市德奈五金电子有限公司  
 Dosin Hardware Electronics Co.,Ltd  
 E-mail: dosin2005@163.com  
 dosin2005@dosing-china.com  
 http://www.dosing.com  
 TEL: (0086)769-81153906  
 FAX: (0086)769-81875836

6	BY-00001-NI-0	ZINC	GOLD	1	DRAWN	2012/11/10	UNIT	MM	SIZE	Product NO.	CAD FILE	SHEET: 1 OF 1
2	PN-00002-NI-0	Brass	GOLD	1	CHECKED				A	DOSIN-801-0075	D:/company drawings/BD	REV B
1	IN-00001-0	POM	White	1	APPROVALS	19/04/2012	SCALE	1:1	DateTime	2012/11/02		
NO	DESCRIPTION	MATERIAL	FINISH	QTY	APPROVALS	John Kime						