

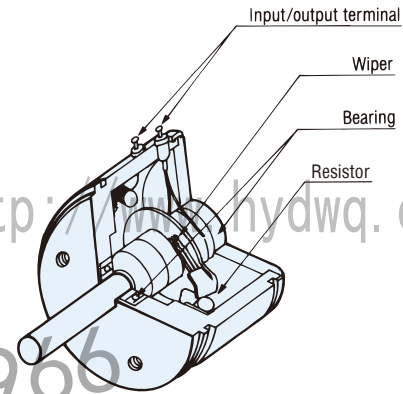
WIREWOUND SINGLE TURN TYPE

J series

RoHS compliant



Basic construction Wirewound single turn type



FEATURES

- High linearity through precision wire winding
- Long life
- High following characteristics
- Low noise

E-mail:hyst@hydwwq.com

PART NUMBER DESIGNATION

J 50 S 500

Series name

J40S
J45S
J50S

Nominal resistance value

500, 1 k, 2 k, 5 k, 10 k, 20 k, 50 k

LIST OF PART NUMBERS

Size	Item	Nominal resistance value	Part number
40 mm		500	J40S 500
		1 k	J40S 1 k
		2 k	J40S 2 k
		5 k	J40S 5 k
		10 k	J40S 10 k
44.45 mm		500	J45S 500
		1 k	J45S 1 k
		2 k	J45S 2 k
		5 k	J45S 5 k
		10 k	J45S 10 k
		20 k	J45S 20 k
50.8 mm		500	J50S 500
		1 k	J50S 1 k
		2 k	J50S 2 k
		5 k	J50S 5 k
		10 k	J50S 10 k
		20 k	J50S 20 k
	50 k	J50S 50 k	

※Verify the above part numbers when placing orders.

STANDARD SPECIFICATIONS

Item	Part number	J40S	J45S	J50S
Resistance tolerance	%	± 5		
Effective electrical angle		350° ± 1.5°	353° ± 1.5°	355° ± 1.5°
Mechanical angle		360° continuous		
Power rating (at 40 °C)	W	1	1.3	1.5
Dielectric strength	Vrms	1000 1 min		
Insulation resistance	M minimum	1000 (at DC500 V)		
Rotational torque	mN·m (gf·cm) maximum	0.59 (6)		0.69 (7)
Peak noise	maximum	10 (4 min ⁻¹)		
Temp. coefficient resistance	ppm/°C	± 50		
Operating temp. range	°C	55 ~ 85		
Maximum rotational speed	min ⁻¹	100	200	
Net weight	g	Approx. 60	Approx. 58	Approx. 73
Connecting accuracy		± 1° Based on No. 1 terminal		

• Specifications are subject to change without notice. Specifications in this catalog are for reference. The formal specification sheets will be submitted upon request.