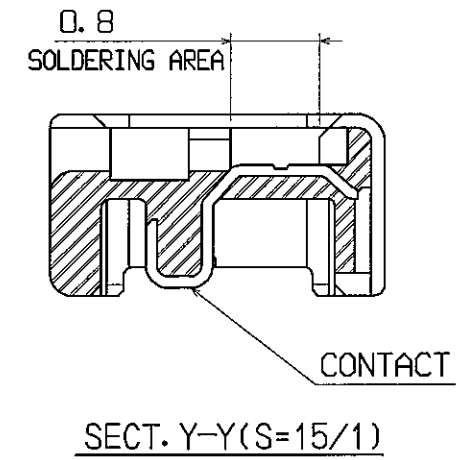
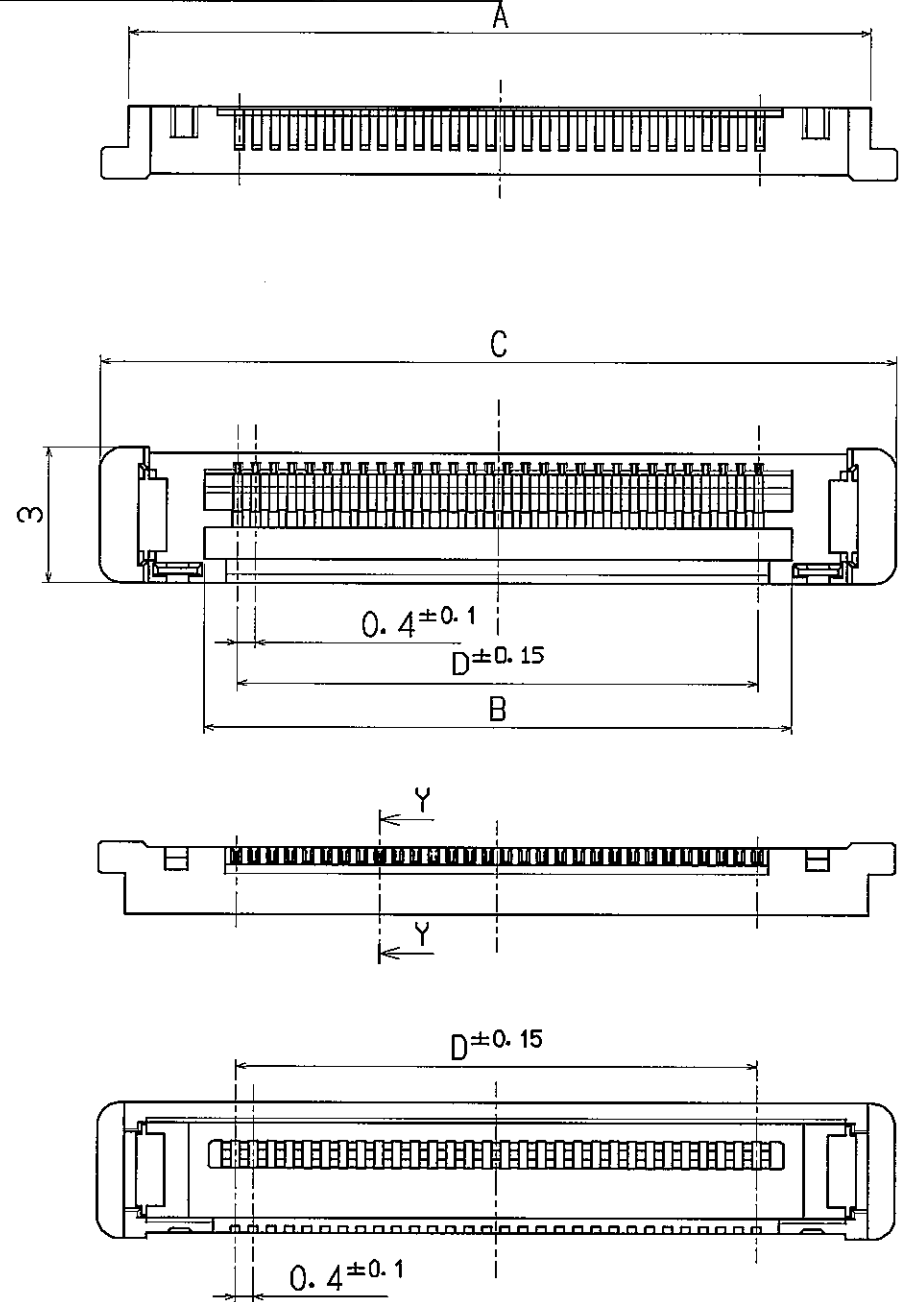


PART NO.	POS	A	B	C	D
20373-014T-00	14	10.2	6.7	11.4	5.2
20373-020T-00	20	12.6	9.1	13.8	7.6
20373-032T-00	32	17.4	13.9	18.6	12.4
20373-035T-00	35	18.6	15.1	19.8	13.6
20373-040T-01	40	20.6	17.1	21.8	15.6
20373-050T-00	50	24.6	21.1	25.8	19.6



- NOTES.
- MATERIAL & FINISH
 ·HOUSING : LCP, UL94V-0, BLACK
 ·CONTACT : COPPER ALLOY, Au OVER Ni
 - THIS PART IS ASSEMBLED WITH METAL COVER(P/N 2182-0**-0*) AFTER SOLDERED THE COAXIAL CABLE, AND IT BECOMES P/N 20380-0**T-*

GENERAL TOLERANCE	
6 MAX.	±0.2
6 OVER MAX. 30	±0.3
30 OVER MAX. 120	±0.5
ANGLE	±2°

8	206246	K. N	May/30/ 06	E. K	DESIGN' D BY	DATE
7	206184	K. N	Apr/26/ 06	E. K	K. Narita	Apr/19/ 04
6	206027	K. N	Jan/19/ 06	E. K	CHK' D BY	DATE
5	205272	H. I	Jun/10/ 05	T. H	K. Matsuo	Apr/22/ 04
4	205135	H. I	Mar/24/ 05	T. H	APP' D BY	DATE
REV	ECN	BY	DATE	APP	T. Harada	Apr/22/ 04
REV. RECORD				CUSTOMER COPY		PROJECTION
SERIES No.						6/1

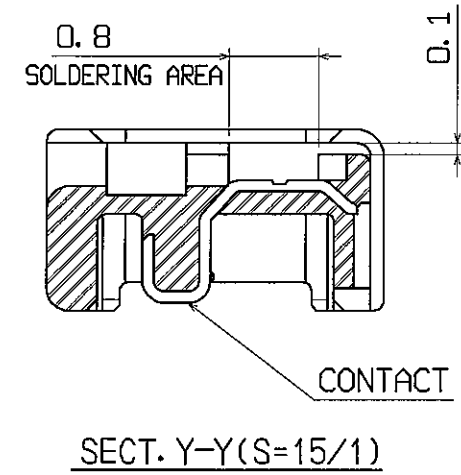
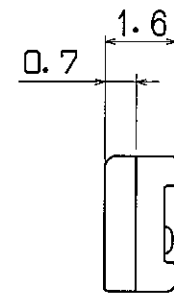
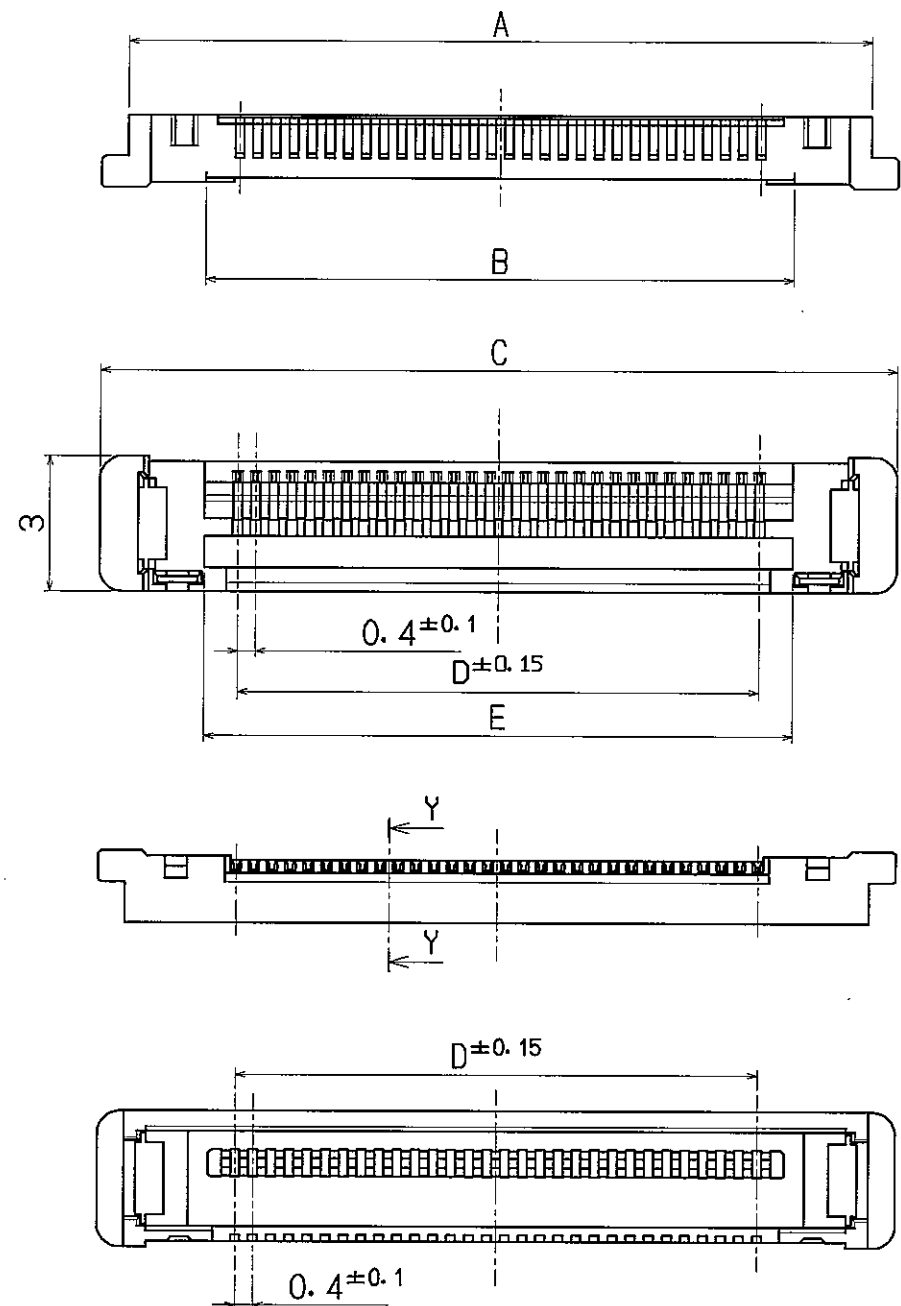
I-PEX Interconnect and Packaging Electronics TOKYO, JAPAN

TITLE: CABLINE-SS PLUG HOUSING ASS'Y

SCALE: 6/1 UNIT: mm DWG. No.: 20373 SHEET: 1/2 REV.: 8

PART NO.	POS	A	B	C	D	E
20373-030T-00	30	16.6	13.1	17.8	11.6	13.1

30P 形状



GENERAL TOLERANCE	
6 MAX.	±0.2
6 OVER MAX. 30	±0.3
30 OVER MAX. 120	±0.5
ANGLE	±2°

FORM REV. 4

DESIGN'D BY	DATE	I-PEX Interconnect and Packaging Electronics TOKYO, JAPAN	TITLE				
CHK'D BY	DATE		CABLIN-SS PLUG HOUSING ASS'Y				
APP'D BY	DATE		DWG. No.	SHEET	REV.		
REV. ECN BY	DATE	APP	6/1	mm	20373	2/2	8
REV. RECORD		CUSTOMER COPY	PROJECTION				
SERIES No.							

WAS T