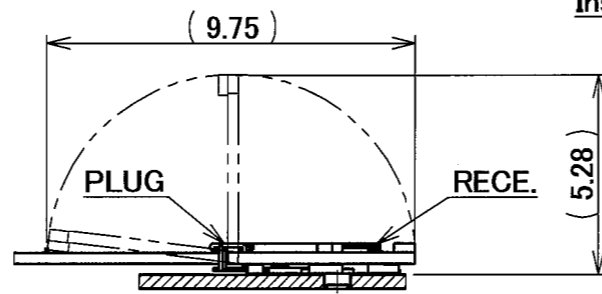
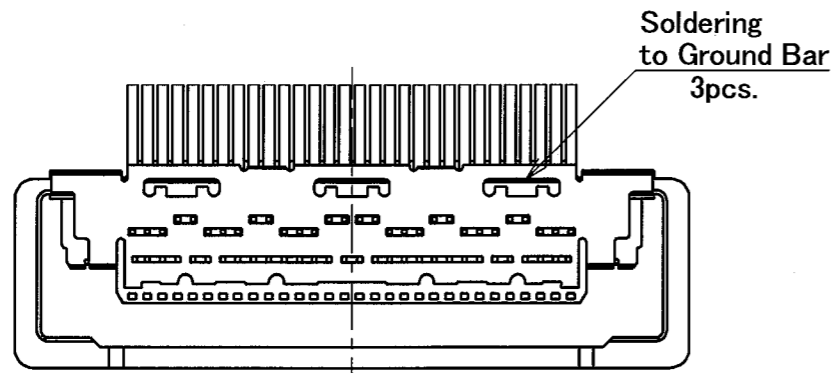


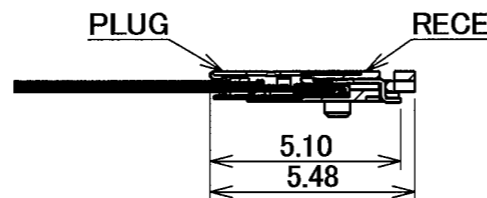
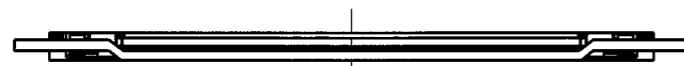
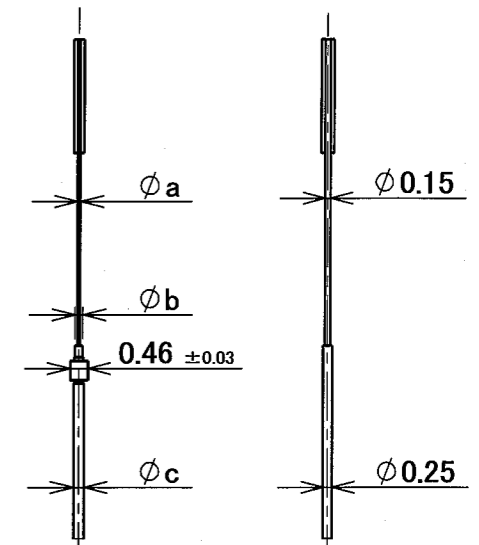
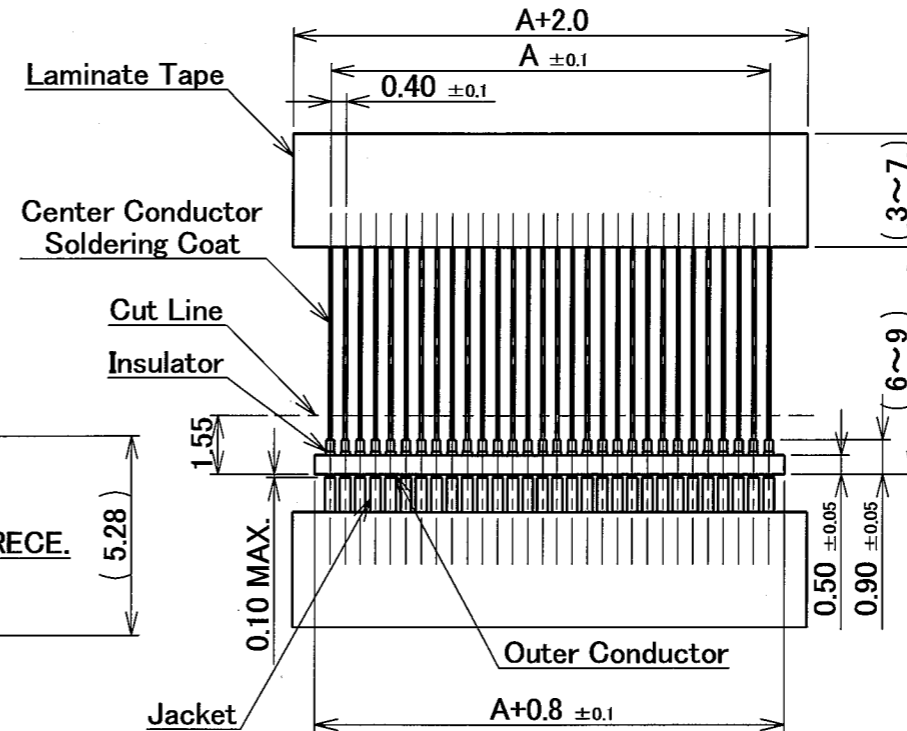
PART NO.	Pos.	A	B	C
◆ 20472-030T-10	30	11.6	12.4	17.84
◆ 20472-040T-10	40	15.6	16.4	21.84

P/N : 20472-0**T-10

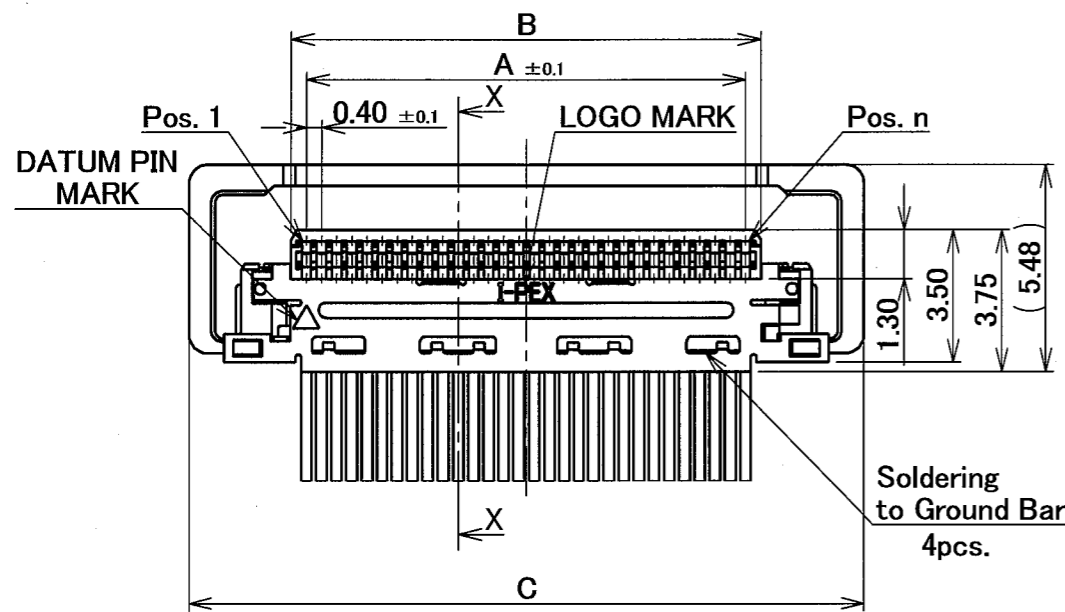
◆ MARK MEANS NOT AVAILABLE



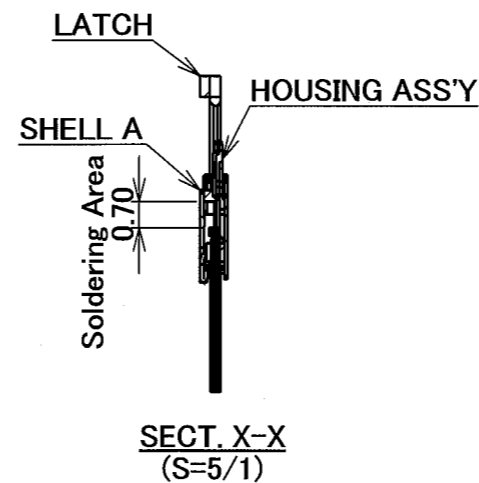
LATCH MOVEMENTS



MATED CONDITION



Soldering to SHELL B 2pcs.



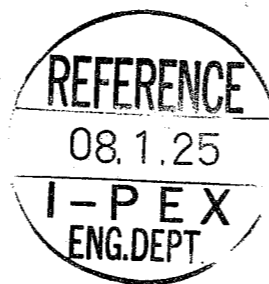
SGC. Dimension

	a	b	c
#40	0.090	0.21	0.33
#42	0.075	0.20	0.28
#44	0.063	0.18	0.26
#46	0.048	0.12	0.22

NOTES.

- CONNECTOR TO BE MATED :P/N 20474
- MATERIAL & FINISH
HOUSING : LCP(GF REINFORCED), UL94V-0, BLACK
CONTACT: PHOSPHOR BRONZE
Au OVER Ni
SHELL A : PHOSPHOR BRONZE
Au OVER Ni
SHELL B : PHOSPHOR BRONZE
Au OVER Ni
LATCH : STAINLESS STEEL
- RECOMMENDED CABLE
SGC. : AWG#40,42,44,46
DISCRETE : AWG#36

GENERAL TOLERANCE	
6 MAX.	±0.2
6 OVER MAX. 30	±0.3
30 OVER MAX. 120	±0.5
ANGLE	±2°



REV	ECN	BY	DATE	APP
0				
SERIES No.				

DESIGN'D BY	DATE
<i>M. Hamada</i>	Jan. /25/ '08
CHK'D BY	DATE
<i>K. Morita</i>	Jan. /25/ '08
APP'D BY	DATE



Interconnect and Packaging Electronics

TOKYO, JAPAN

TITLE
CABLIN-CB
PLUG CABLE ASS'Y with latch

CUSTOMER COPY



SCALE
5:1

UNIT
mm

DWG. No.
20472

SHEET
1/1

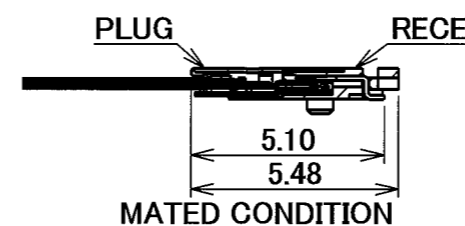
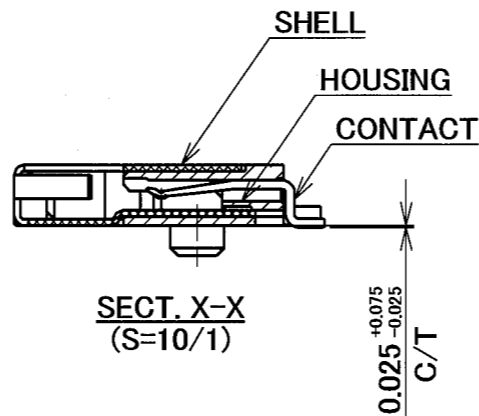
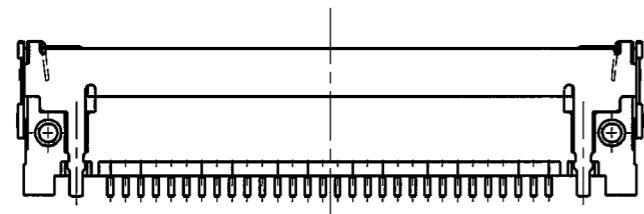
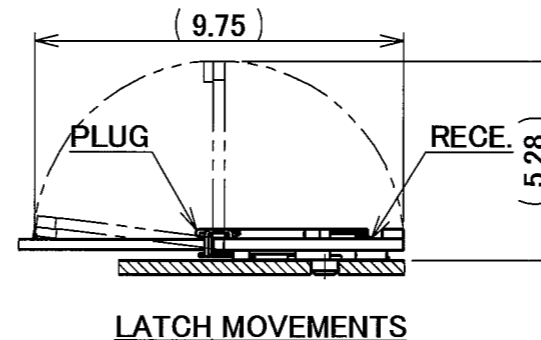
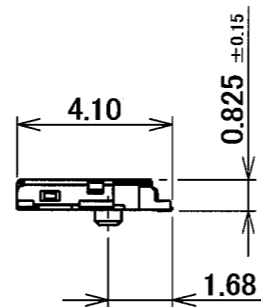
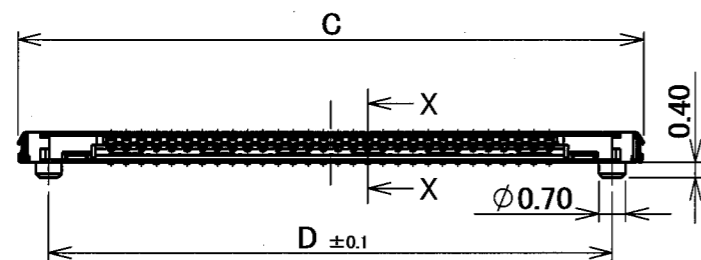
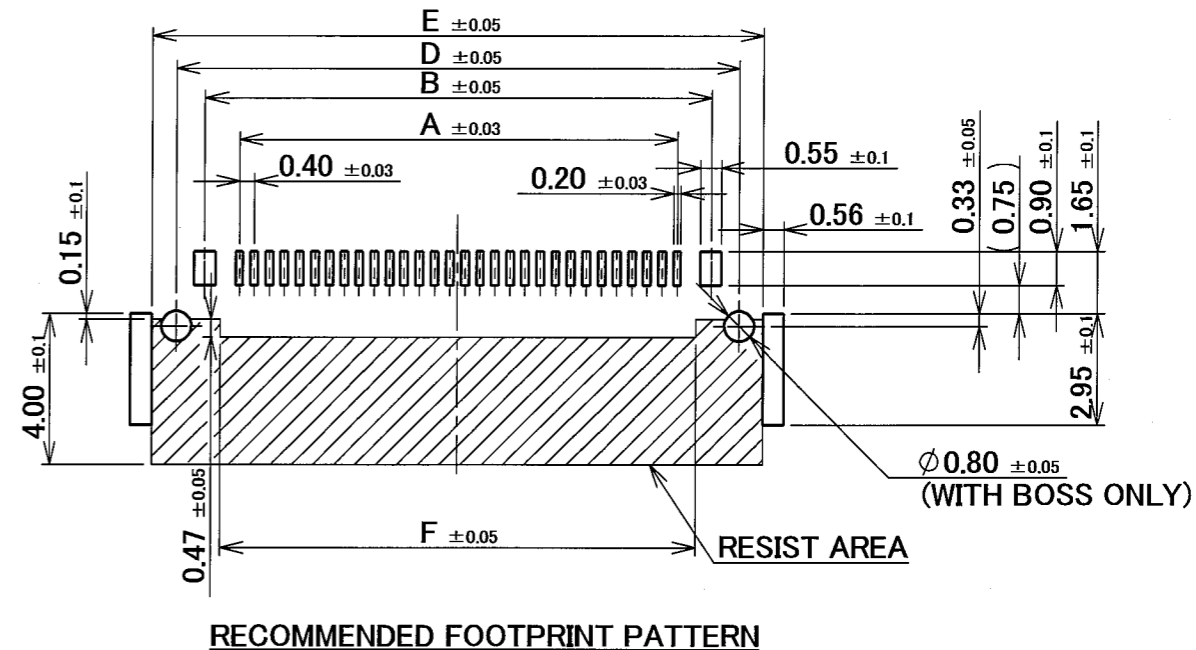
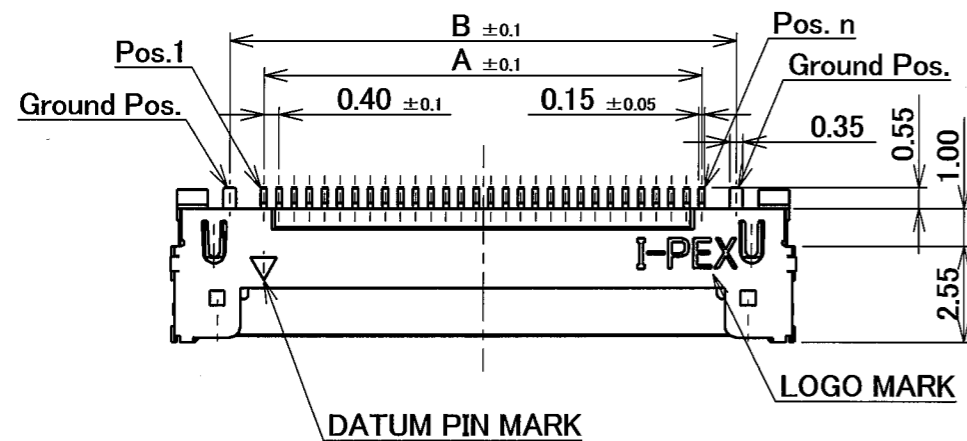
REV
0

PART NO.	Pos.	A	B	C	D	E	F
◆ 20474-030E-1#	30	11.6	13.4	16.55	14.9	16.18	12.59
◆ 20474-040E-1#	40	15.6	17.4	20.55	18.9	20.18	16.59

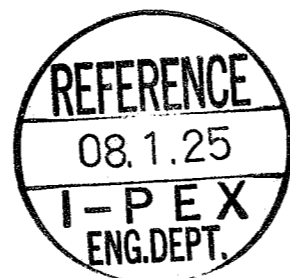
◆ MARK MEANS NOT AVAILABLE

P/N:20474-0**E-1#

BOSS
1:WITH
2:WITHOUT
Pos.



- NOTES.
 1.CONNECTOR TO BE MATED :P/N 20472
 2.MATERIAL & FINISH
 HOUSING : LCP(GF REINFORCED), UL94V-0, BLACK
 CONTACT: PHOSPHER BRONZE
 Au OVER Ni
 SHELL : PHOSPHER BRONZE
 Au OVER Ni
 3.COPLANARITY : 0.1MAX.



GENERAL TOLERANCE	
6 MAX.	±0.2
6 OVER MAX. 30	±0.3
30 OVER MAX. 120	±0.5
ANGLE	±2°

<table border="1"> <thead> <tr> <th>REV</th> <th>ECN</th> <th>BY</th> <th>DATE</th> <th>APP</th> </tr> </thead> <tbody> <tr> <td>0</td> <td></td> <td></td> <td></td> <td></td> </tr> </tbody> </table>					REV	ECN	BY	DATE	APP	0					DESIGN'D BY <i>M. Hamada</i> DATE <i>Jan. 25 / 08</i>		TITLE CABLIN-CB RECE. ASS'Y with latch			
					REV	ECN	BY	DATE	APP											
0																				
CHK'D BY <i>K. Naito</i> DATE <i>Jan / 26 / 08</i>	APP'D BY DATE	SCALE 5:1	UNIT mm	DWG. No. 20474	SHEET 1/1	REV 0														
SERIES No.					CUSTOMER COPY	PROJECTION 														