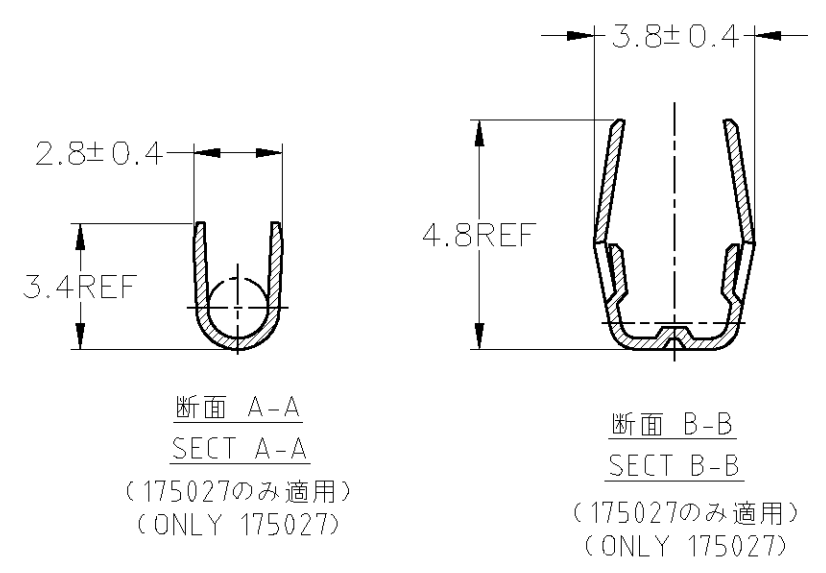
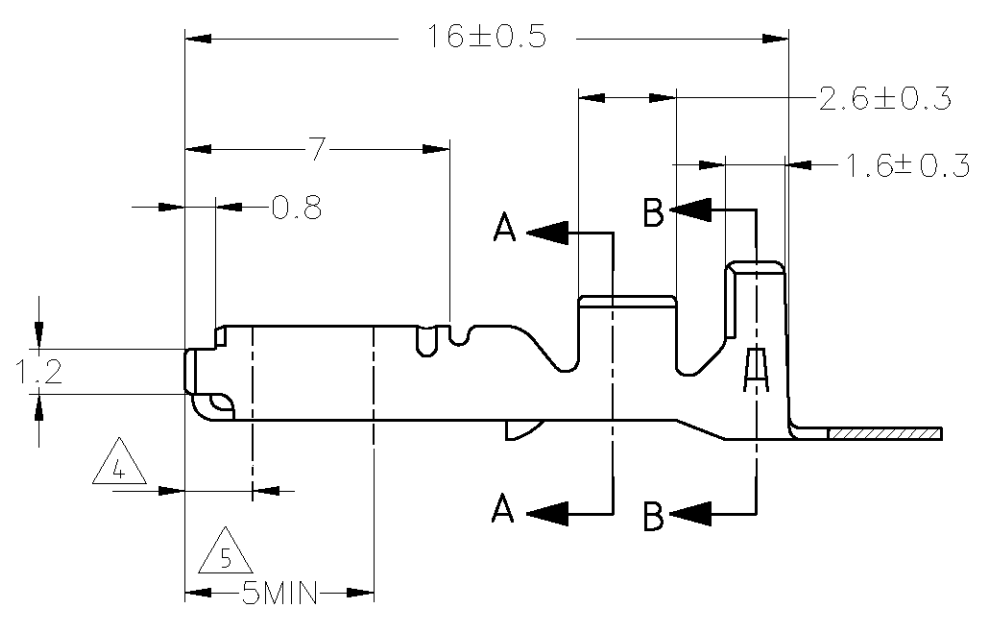
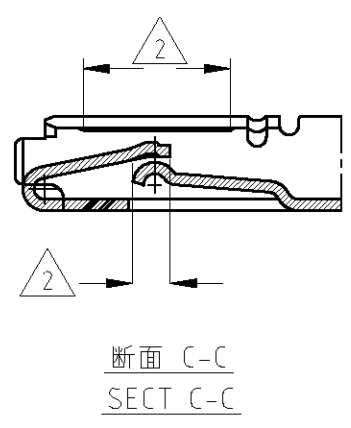
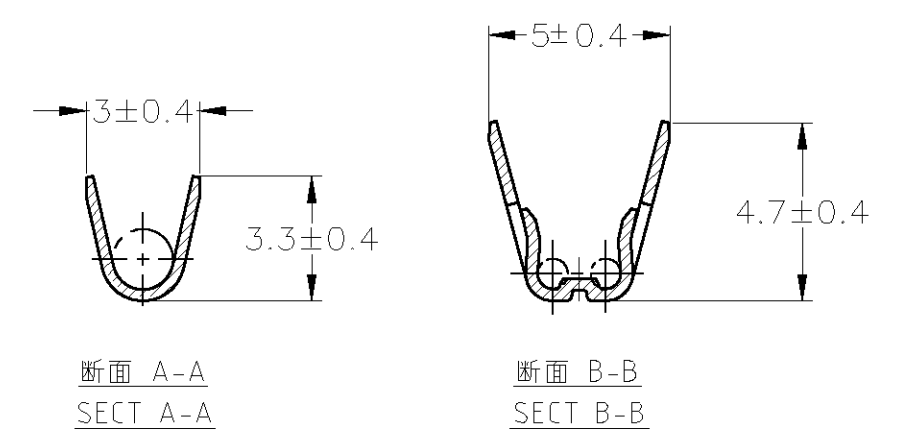
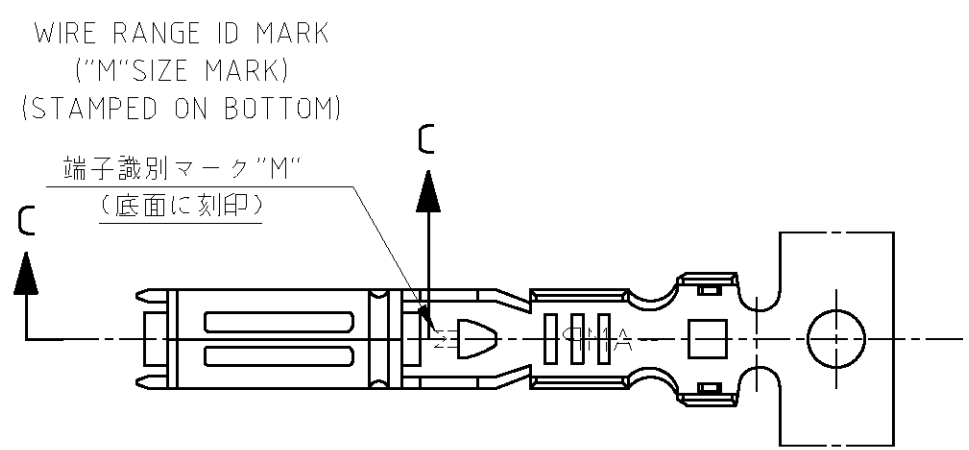
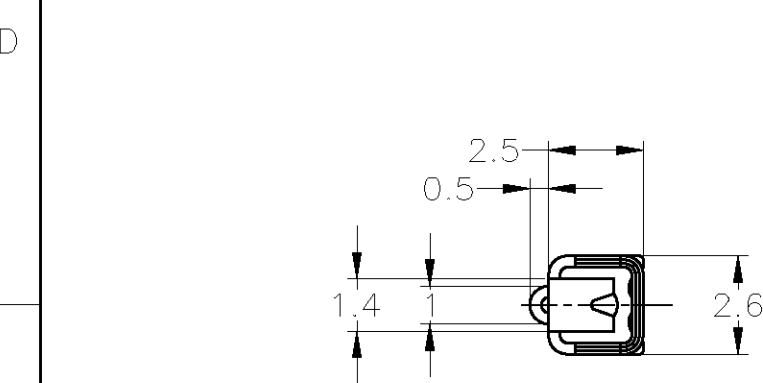


THIS DRAWING IS UNPUBLISHED. RELEASED FOR PUBLICATION
 © COPYRIGHT - By - ALL RIGHTS RESERVED.

LOC	DIST	REVISIONS					
J	-	P	LTR	DESCRIPTION	DATE	DWN	APVD
		E6	REVISED	ECR-13-008452	23MAY2013	TS	KB



- 1. 製品規格; 108-5216, 108-5231, 108-5264, 108-3371
- ② 部分金めっき
- 3. 取付適用規格; 114-5091
- ④ 識別用金めっき (全周)
- ⑤ 部分金めっき (両側のみ)

- 1. SPEC; 108-5216, 108-5231, 108-5264, 108-3371
- ② SELECTIVE GOLD PLATING
- 3. APPLICATION SPEC; 114-5091
- ④ GOLD PLATING FOR DISCERNMENT (ALL AROUND)
- ⑤ SELECTIVE GOLD PLATING (ONLY BOTH SIDES OF THE BOX)

	⑤② 部分金めっき SELECTIVE GOLD	黄銅 板厚0.3 BRASS t0.3	1-173631-2
SEE DRAWING 173631-8			173631-8
175027-7	④② 部分金めっき SELECTIVE GOLD	リン青銅 板厚0.3 PHOS BRO. t0.3	173631-7
175027-6	錫めっき済み PRE-TINNED	リン青銅 板厚0.3 PHOS BRO. t0.3	173631-6
175027-2	④② 部分金めっき SELECTIVE GOLD	黄銅 板厚0.3 BRASS t0.3	173631-2
175027-1	錫めっき済み PRE-TINNED	黄銅 板厚0.3 BRASS t0.3	173631-1
パラ端子型番 L/P NUMBER	仕上 FINISH	材料 MATERIAL	型番 PART NUMBER

TOLERANCE UNLESS OTHERWISE SPECIFIED: 一般公差

0 < x ≤ 10	: ±0.2
10 < x ≤ 30	: ±0.25
30 < x ≤ 100	: ±0.3
ANGLE	: ±3°

THIS DRAWING IS A CONTROLLED DOCUMENT.

DIMENSIONS: 単位: 耗 mm	TOLERANCES UNLESS OTHERWISE SPECIFIED: 一般公差
0 PLC ±-	1 PLC ±-
2 PLC ±-	3 PLC ±-
4 PLC ±-	ANGLES ±-
MATERIAL 材料	FINISH 仕上
SEE TABLE	SEE TABLE

DWN M.SUGAWARA 12MAY06	 TE Connectivity	070 SERIES RECEPTACLE CONTACT		
CHK T.SHINOHARA 12MAY06				
APVD K.BETSUI 12MAY06				
PRODUCT SPEC 製品規格 APPLICATION SPEC 取付適用規格				
WEIGHT -	SIZE A3	CAGE CODE 00779	DRAWING NO 番号 C-173631	RESTRICTED TO -
CUSTOMER DRAWING		SCALE 尺度 5:1	SHEET 1 OF 1	REV E6