

Square Body Fuse Links

Size 1* to 3, DIN 43653, 170M Series
690Vac (IEC), 700Vac (UL), 40 to 2000A

Specifications

Description

Square body DIN 43653 bolted tags high speed fuse links, for the protection of DC common bus, DC drives, power converters/rectifiers and reduced voltage starters.

Technical Data

Rated Voltage: 690Vac (IEC)/700Vac (UL)

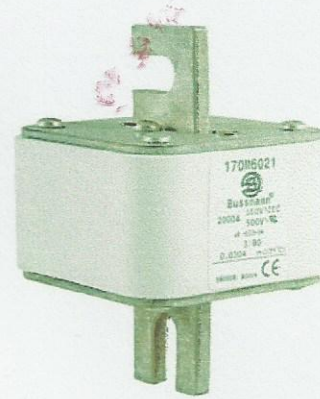
Rated Current: 40-2000A

Breaking Capacity: 200kA RMS Sym.

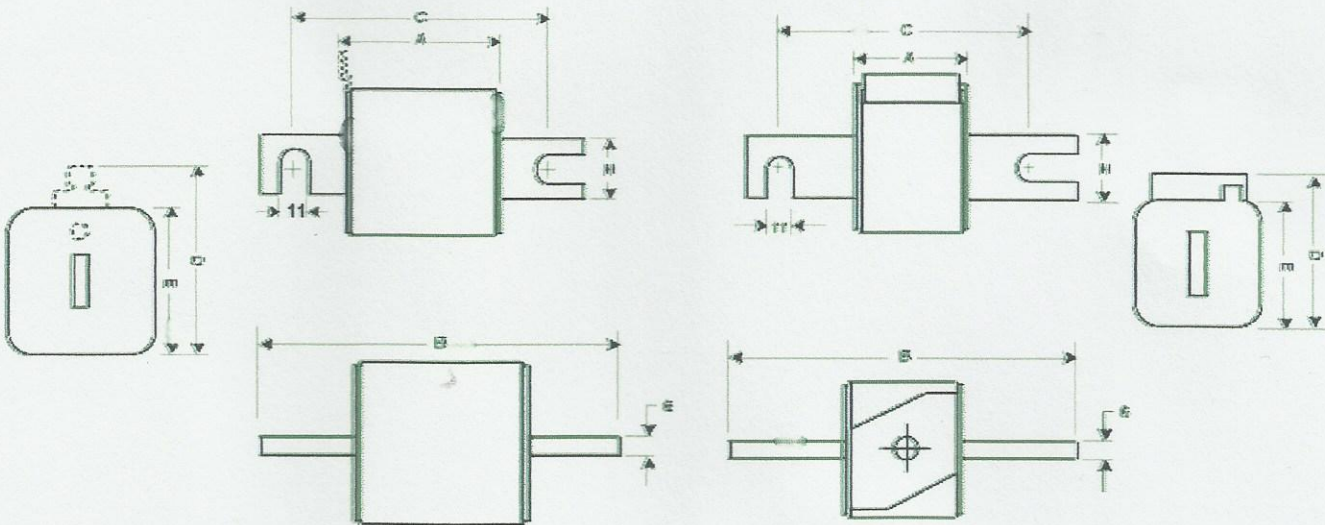
Operating Class: aR

Standards/Agency Information

CE, Designed and tested to IEC60269 Part 4. Consult Cooper Bussmann for UL Recognition/CSA Component Acceptance status. CCC except where noted.



Dimensions - mm



Type -/80, -TN/80, -/110, -TN/110

Size	A	B	B ¹	C	C ¹	D ²	E	H
1*	50	104	134	78	108	58	45	22
1	50	108	138	78	108	66	53	25
2	50	108	138	78	108	75	61	25
3	51	109	139	78	108	90	76	30

¹ Valid for fuse links type -/110, -TN/110.

² Valid for fuse type -TN/80 and -TN/110.

1mm = 0.0394" / 1" = 25.4mm

Type -KN/80, -KN/110

Size	A	B	B ³	C	C ³	D	E	H
1*	50	104	134	78	108	59	45	22
1	50	108	138	78	108	69	53	25
2	50	108	138	78	108	77	61	25
3	51	109	139	78	108	92	76	30

³ Valid for fuse links type -KN/110.

1mm = 0.0394" / 1" = 25.4mm

Data Sheets: 170K6314 (Size 1*), 170K6316 (Size 1), 170K6318 (Size 2), 170K6320 (Size 3)