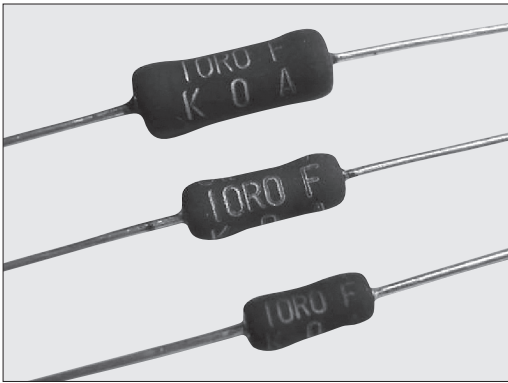


CW-H 绝缘涂装小型绕线电阻器 Coat-Insulated Miniature Wirewound Resistors



外观颜色: 黑色 Coating color: Black
表示: 文字表示 Marking: Alphanumeric

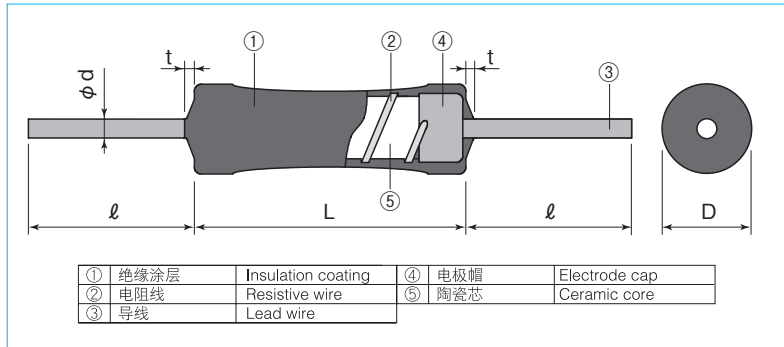
特点 Features

- MIL-PRF-26标准对应的电阻器
- 高精度产品
- 优异的长期稳定性
- 温漂系数: $\pm 50 \times 10^{-6}/K$ 以下
- 对应欧盟RoHS
- Resistors meeting MIL-PRF-26.
- High precision.
- Excellent stability for a long time.
- T.C.R.: $\pm 50 \times 10^{-6}/K$ below.
- Products meet EU-RoHS requirements.

参考规格 Reference Standards

MIL-PRF-26
JIS-C-5201-1

结构图 Construction



外形尺寸 Dimensions

型号 Type	尺寸 Dimensions (mm)					Weight (g) (1000pcs)
	L ±1.0	D ±1.0	ℓ ±3.0	d (Nominal)	t Max.	
CW1H	9.5	3.5	30	0.8	3	0,650
CW2H	12.0	4.0				0,950
CW3H	15.0	6.0				1,780

品名构成 Type Designation

实例 Example

CW	1	H	C	T52	A	1R00	F
品种 Product Code	额定功率 Power Rating	形状 Style	端子表面材质 Terminal Surface Material	二次加工 Taping & Forming	包装 Packaging	公称电阻值 Nominal Resistance	阻值允许偏差 Resistance Tolerance
	1: 1W 2: 2W 3: 3W	H: 安定性品 H: Stability	C: SnCu	下记参照 See table below	A: AMMO包装 A: AMMO R: リール R: Reel	4 digits	D: ±0.5% F: ±1%

预知关于此产品含有的环境负荷物质详情(除EU-RoHS以外), 请与我们联系。
编带细节请参考卷末附录C。

Contact us when you have control request for environmental hazardous material other than the substance specified by EU-RoHS.

For further information on taping, please refer to APPENDIX C on the back pages.

二次加工对应表 Taping & Forming Matrix

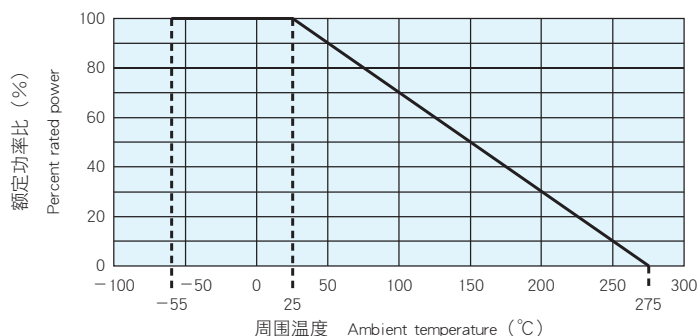
型号 Type	轴向编带 Axial Taping			径向编带 Radial Taping		L成形 L Forming			
	T52	T521	T631	VTP	GT	L12.5A	L15A	L20A	L25A
CW1H	○			○※1	○	○	○		
CW2H	○※1	○		○	○		○	○	
CW3H		○	○		○			○	○

※1 适用于 0.47Ω 或以上。 Applicable to 0.47Ω or over.

额定值 Ratings

型号 Type	额定功率 Power Rating	电阻值范围 Resistance Range (Ω)		电阻温度系数 T.C.R. ($\times 10^{-6}/K$)	额定环境温度 Rated Ambient Temperature	使用温度范围 Operating Temp. Range	最高使用电压 Max. Working Voltage	最高过载电压 Max. Overload Voltage	编带和包装数/AMMO包装 Taping & Q'ty/AMMO (pcs)		
		D: ±0.5% E24 · E96	F: ±1% E24 · E96						T52	T521	T631
CW1H	1W	0.47~220	0.1~430	±20: R≥10Ω ±50: R<10Ω	+25°C	-55°C~+275°C	$E=\sqrt{P \times R}$	$E=\sqrt{P \times R \times 5}$	1,000	—	—
CW2H	2W	0.47~750	0.1~2k						1,000	1,000	—
CW3H	3W	0.47~1k	0.1~3k						—	500	500

■ 负荷特性曲线 Derating Curve



在环境温度25℃以上使用时，应按照上图负荷特性曲线，减小额定功率。

For resistors operated at an ambient temperature of 25℃ or above, a power rating shall be derated in accordance with the above derating curve.

■ 性能 Performance

试验项目 Test Items	标准值 Performance Requirements $\Delta R \pm (\% + 0.05 \Omega)$		试验方法 Test Methods
	保证值 Limit	代表值 Typical	
电阻值 Resistance	在规定的允许偏差内 Within specified tolerance	—	25℃
电阻温度系数 T.C.R.	在规定的允许偏差内 Within specified T.C.R.	—	+25℃/-55℃ and +25℃/125℃
过载(短时间) Short time overload	0.2	0.15	施加5秒额定功率5倍的电压印加 Rated power $\times 5$, 5s.
耐焊接热 Resistance to soldering heat	0.2	0.15	350℃ ± 10 ℃, 3 ± 0.5 sec 260℃ ± 5 ℃, 10 ± 1 sec
额定负荷 Load life	0.5	0.45	-25℃, Rated power 1.5h ON/0.5h OFF 2000h
低温放置 Low Temperature	0.2	0.15	-65℃, 24h
高温放置 High Temperature	0.5	0.45	+275℃, 250h

■ 使用注意事项 Precautions for Use

- 由于外装涂层具有难燃性特征，因此对外部冲击比较弱，请注意操作。请进行最小限度的清洗。刚刚清洗好以后的涂层非常薄弱，在产品完全干燥之前，请勿对涂层施加外力。产品干燥后，涂层将恢复原有强度，请注意在洗净后的20分钟内，勿对电阻器的涂层施加外力。特别注意，请勿将PCB板堆放起来。
- 在使用交流电路的场合，由于绕线构造会产生电感成份和寄生电容，因此，有可能会发生振动等异常现象。在使用时请仔细考虑其他部件常数的离散情况。
- Be careful to handle these resistors because outer coatings are comparatively weak to outer shock due to flameproof special coats. Please wash them to a minimum. No external force is given to the coating films until they are well dried because the coating films become weaker right after washing. The original strength will be returned after they are dried, so please pay attention not to apply any external force onto the coating film of resistors for 20 minutes after drying. Especially no PC boards shall be piled up.
- In case of using them for an AC circuit, abnormal phenomena like oscillation etc. occasionally happen as they have an inductance or a parasitic capacitance because of their wiring structures. Use them by taking the dispersion of constants of other components into the consideration.