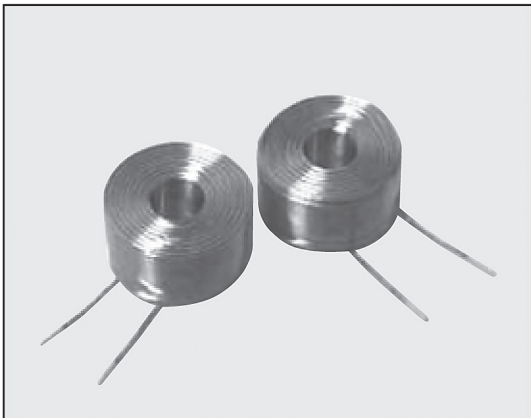
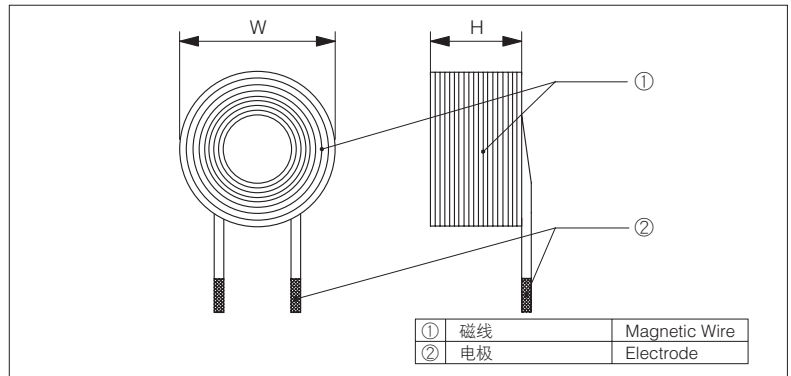


## LWA 定制电感线圈 Custom Wire Wound Coil



### 构造图 Construction



### 特点 Features

- 是不使用磁芯和梭壳也能保持形状的线圈。
- 由于对应定制品，所以关于各种形状，尺寸，电感值等的定制请与我公司商谈。
- 运用独特的绕线技术，使电感器形状安定。
- 对应欧盟RoHS。
- Wire wound coil that can keep its shape even if neither the core nor the bobbin are used.
- Custom product. Please ask to our sales person regarding shapes, dimensions, and inductances etc. that you want.
- Provide a stable shape coil by the original winding technology.
- Products meet EU-RoHS requirements.

### 外形尺寸 Dimensions

尺寸 Dimensions (mm)		Weight (g) (1PCS)
W	H	
10	6	2.3

### 品名构成 Type Designation

实例 Example	实例 Example	实例 Example	实例 Example	实例 Example	实例 Example
LWA	1006	C	TED	551	W
品种 Product Code	形状 style W×H(mm) 10×6	端子表面材质 Terminal Surface Material C: Sn/Cu	二次加工 Taping TED: plastic embossed	公称电感 Nominal Inductance 3 digits	允许偏差 Tolerance J: ±5%

### 用途 Applications

- 无交触点供电用电感
- 驱动器电感
- Coils for wire-less power supply
- Coils for actuator

### 额定值 Ratings

#### 实例 Example

使用温度范围 Operating temperature range : -40°C ~ +85°C

包装熟 / 卷 Q'ty/Reel : 250pcs

公称电感值 Nominal Inductance (μH)	电感允许偏差 Inductance Tolerance (%)	测定频率 Measuring Frequency (kHz)	直流阻抗 DC Resistance (Ω) Max.	允许直流电流 Allowable DC Current (mA) Max.
550	J: ±5%	10	6.7	7

关于其它电感值等，请与我们商谈。Please ask to our sales person regarding other inductance etc. that you want.

### 性能 Performance

试验项目 Test Items	标准值 Performance Requirements Maximum ΔL/L		试验方法 Test Methods
	保证值 Limit	代表值 Typical	
温度突变 Rapid change of temperature	ΔL/L: ±5% 外观应无显著异常。 No significant abnormality in appearance	ΔL/L: ±0.74%	-40°C (30min) / +125°C (30min)、100 cycles
低温放置 Low temperature exposure	ΔL/L: ±5% 外观应无显著异常。 No significant abnormality in appearance	ΔL/L: ±0.32%	-40°C ±2°C、1000h
高温放置 High temperature exposure	ΔL/L: ±5% 外观应无显著异常。 No significant abnormality in appearance	ΔL/L: ±0.42%	+85°C ±2°C、1000h
耐湿性 Moisture endurance	ΔL/L: ±5% 外观应无显著异常。 No significant abnormality in appearance	ΔL/L: ±0.51%	+40°C ±2°C、90~95%RH、100h