



# ECON-10SS 电动锡渣分离机

## ECON-10SS Electric Tin Recovery Machine



### 一、基本功能与特点介绍

ECON-10SS 采用独特湿式分离法，是专利设计产品，近十年市场使用经验，集人性化需求、环保、安全、全球最先进技术为一体。主要针对波峰焊锡炉工作过程中产生的焊锡氧化物——锡渣，进行二次回收利用，将收集好的锡渣再投入，无需添加任何化学、非化学物质，能彻底、有效的将锡渣中可用焊锡分离回收，直接使用，节约焊锡使用量，节省成本。

本机采用人工放锡、人工出模成型，分离效率高，操作简单方便，且外配废气抽风管道情况下，可实现废弃物的有效处理，适合 200kg/周（开一次 8h）同一合金成分锡渣的集中处理。

### 1, Introduction of the basic function and characteristics

ECON-7 is a patent design product, using unique wet separation method. It has the market using experience for about 10 years and combines humanity demand, environmental protection, safety, the global most advanced technology as a whole. It is mainly aimed at tin soldering oxide—tin slag, produced by the process of wave soldering stove, for twice recovery. The tin slag collected can be put in stove again without adding any chemical or non chemical substance, and the tin available in slag can be separated for recovery and direct used, effectively and thoroughly, for the sake of saving tin amount and cost.

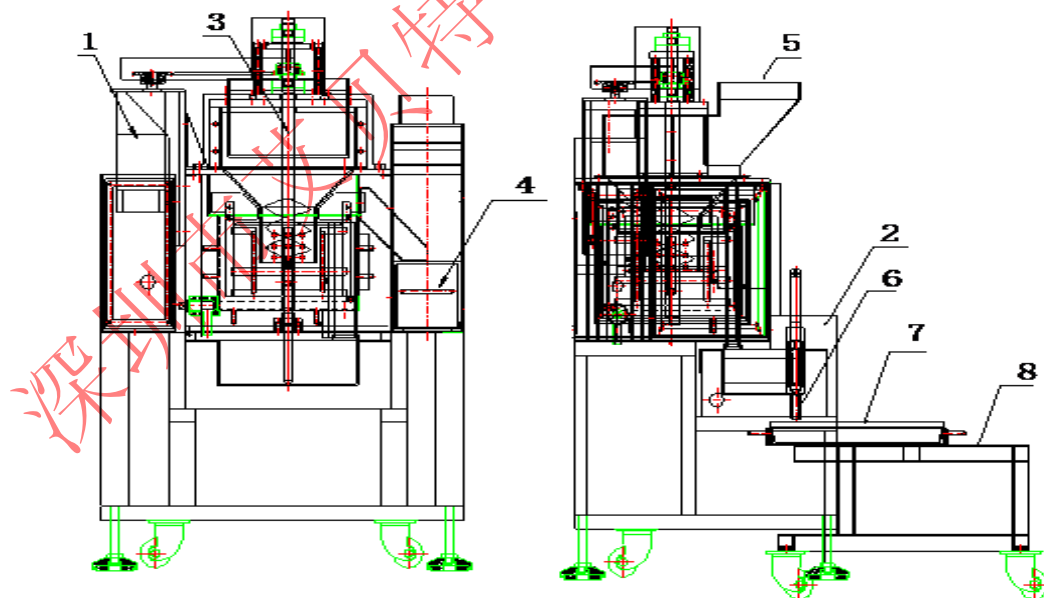
The machine uses manual tin exhausting, shaping and molding, and has high separation rate and easy operation. In the situation of equipped with exhaust gas convulsion pipe, it can achieve effective waste treatment. It is suitable for the centralized processing of tin slag with same component of 200kg/week (one time opening 8h).



## 二、基本参数

项目	参数	Items	Parameters
ECON-10SS	自动锡渣分离机	ECON-10SS	Automatic Tin Recovery Machine
控制系统	按键式	Control system	Touch-tone type
分离方式	湿式分离法	Separation method	Wet separation
工作效率	25kg/h	Work efficient	25kg/h
锡渣分离率	锡渣含锡量的90%以上	Tin separation rate	More than 90% of tin content in slag
排锡方式	自动报警、人工排放	Tin emission method	Automatic alarm, artificial emissions
开机升温时间	50Min	Start heating-up time	50Min
自动加料容量	φ 25mm 以下颗粒/20kg	Automatic filling capacity	Grain under φ 25mm/20kg
手动加料容量	50*60mm 块状/5kg (选配)	Manual filling capacity	50*60mm buck/5kg (optional)
分离腔材质	SUS316L (可选钛合金)	Separation cavity material	SUS316L (Ti alloy optional)
底锡总容量	70kg	Bottom tin total capacity	70kg
排风口尺寸	4 寸	Air outlet size	4 inches
废气处理	多层不锈钢过滤网	Waste gas treatment	Multilayer stainless steel filter
总功率	3.7KW	Total power	3.7KW
运行功率	1KW	Function power	1KW
电源	单相 AC220V 50Hz/60Hz	Power supply	Single-phase AC220V 50Hz/60Hz
净重	约 110kg	Net weight	About 110kg
机身尺寸 (mm)	680(长)X480(宽)X1000(高)	Machine size (mm)	680(length) X480(width)X1000(height)

## 三、结构示意图



- |        |                       |       |                   |
|--------|-----------------------|-------|-------------------|
| 1、搅拌电机 | Mixing motor          | 5、进料斗 | Dross entrance    |
| 2、储锡槽  | Tin storage container | 6、放锡咀 | Tin emission hole |
| 3、搅拌杆  | Mixing pole           | 7、成型槽 | Molding trough    |
| 4、灰桶   | Ash barrels           | 8、小车  | Trolley           |