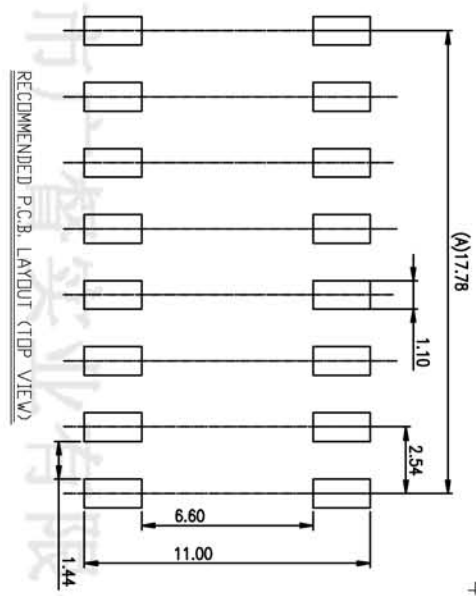
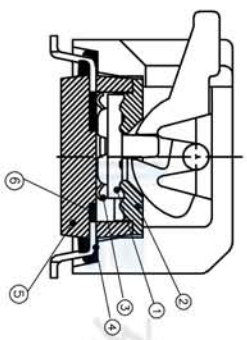
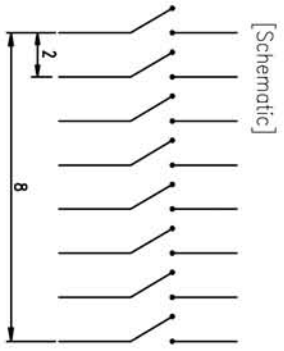
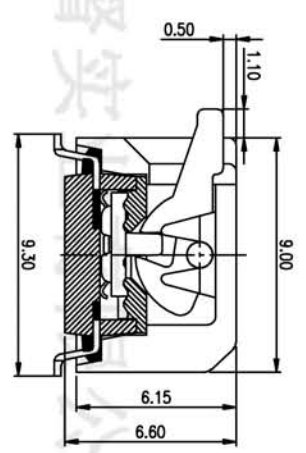
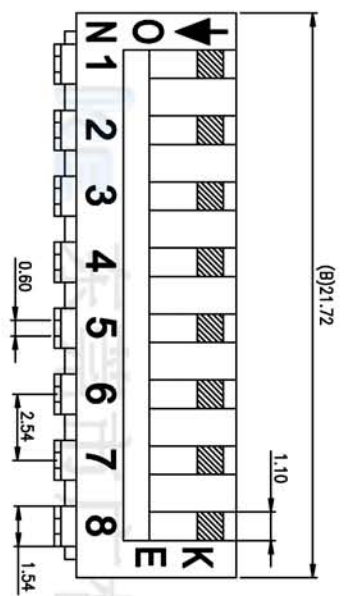


NOTES :

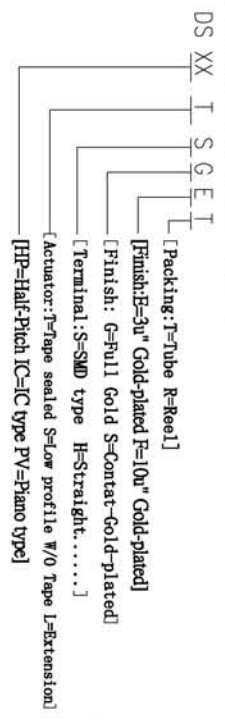
1. Specification:

- 1> Operating force: 500gf Max
 - 2> Operating Temperature: -30° to+85°
 - 3> Storage Temperature: -40° to+85°
 - 4> Mechanical Life: 3000cycles minimum
2. PLATING:
GOLD FLASH 1u"(min.) SOLDER TAIL,
3u" GOLD PLATING ON THE CONTACT AREA,
WITH 50u" NICKEL UNDERPLATING OVERALL.
3. CONTACT RATING:
1. SWITCHING: 25mA at 24ADC
2. NON-SWITCHING: 100mA at 50VDC
WITH 50u" NICKEL UNDERPLATING OVERALL.



RECOMMENDED P.C.B. LAYOUT (TOP VIEW)

4. PART NUMBER DESCRIPTION :



Number	Part Name	Material	Finished	TOLERANCE UNLESS OTHERWISE SPECIFIED	UNLESS OTHERWISE SPECIFIED	INSPECTION
①	Actuator	UL94 V0	White	0 ± 0.10	0 ± 1°	COPI
②	Cover	UL94 V0	Black	.00 ± 0.05	.0 ± 0.5°	PROJECTION
③	Movable	Copper Alloy	3u" Gold	.000±	0.03	0.00±
④	Terminal	Brass	1u" Gold			03/20/12
⑤	Base	UL94 V0	Black			DRAWING
⑥	Terminal Contact	Brass	3u" Gold			CHECK
						APPRO.

<p>东莞市广督实业有限公司</p> <p>TITLE: BY DSPV SERIES PITCH 2.54mm TYPE HOUSING</p> <p>PRODUCT FAMILY: DSPV SERIES</p> <p>PRAT NO.: DSPV08LSGCT</p> <p>FILE NO.: DSPV08LSGCT</p> <p>SIZE: A4</p> <p>UNIT: mm</p> <p>SCALE: 2:1</p> <p>SHEET: 1 OF 1</p> <p>REV.:</p>						
---	--	--	--	--	--	--