

NOTES :

1. Specification:

- 1>.Operating force: 500gf Max
- 2>.Operating Temperature: -30° to+85°
- 3>.Storage Temperature: -40° to+85°
- 4>.Mechanical Life: 3000cycles minimum

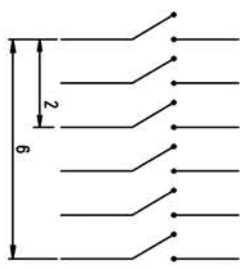
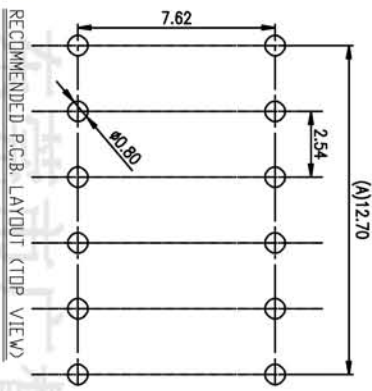
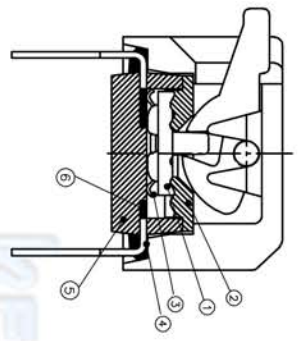
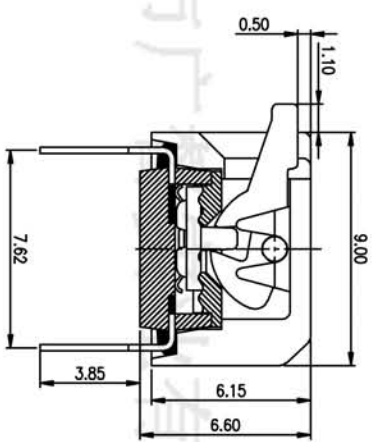
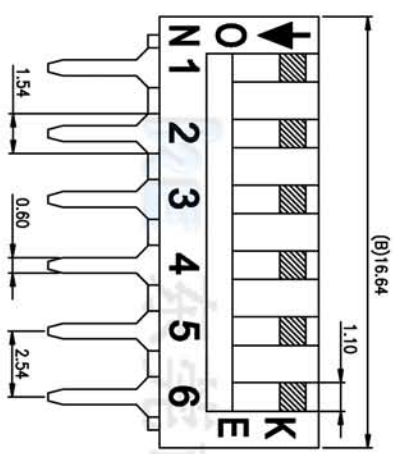
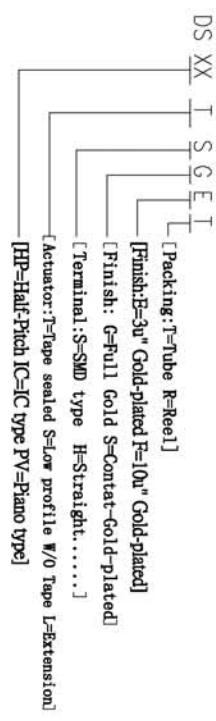
2. PLATING:

GOLD FLASH 1u"(min.) SOLDER TAIL,
3u" GOLD PLATING ON THE CONTACT AREA,
WITH 50u" NICKEL UNDERPLATING OVERALL.

3. CONTACT RATING:

- 1. SWITCHING: 25mA at 24ADC
- 2. NON-SWITCHING: 100mA at 50VDC
- WITH 50u" NICKEL UNDERPLATING OVERALL.

4. PART NUMBER DESCRIPTION :



Number	Part Name	Material	Finished	TOLERANCE UNLESS OTHERWISE SPECIFIED	INSPECTION	FILE NO.
①	Actuator	UL94, V0	White	0 ± 0.10	COPI	东莞市广督实业有限公司 BY DSPV SERIES PITCH 2.54mm TYPE HOUSING PRODUCT FAMILY DSPV SERIES PRAT NO. DSPV06LHGCT
②	Cover	UL94, V0	Black	0.0 ± 0.05		
③	Movable	Copper Alloy	3u" Gold	0.0 ± 0.5°		
④	Terminal	Brass	1u" Gold	0.00±		
⑤	Base	UL94, V0	Black	0.0 ± 0.03		
⑥	Terminal Contact	Brass	3u" Gold	0.00±		
				ANGLES	PROJECTION	SIZE
				0. ± 1°		UNIT
				0.0 ± 0.5°		SCALE
				0.00±		SHEET
				0.00±		REV.
				0.00±		A

东莞市广督实业有限公司