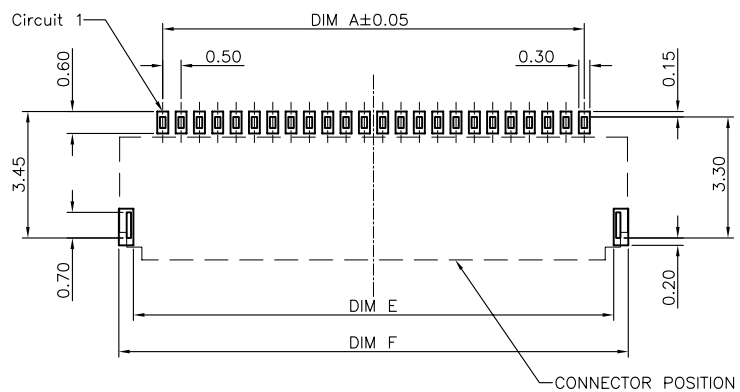
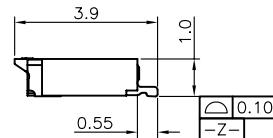
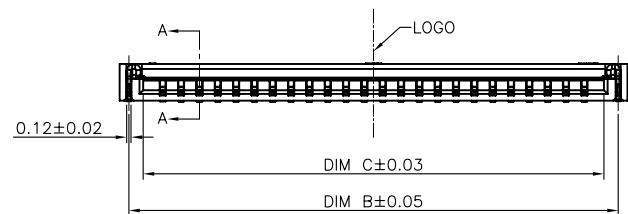
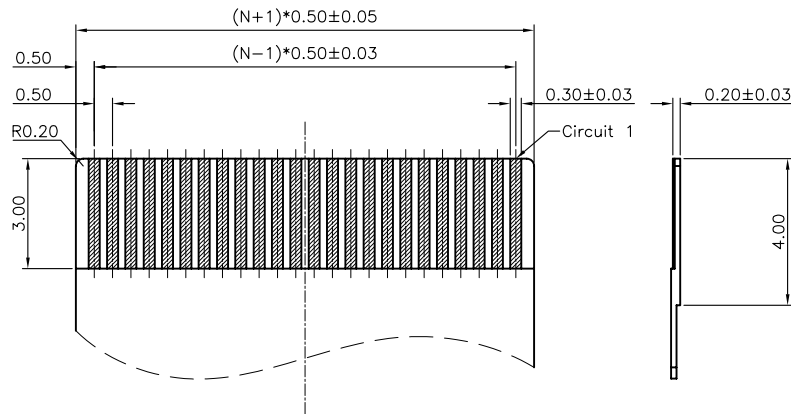


SECTION A-A  
SCALE 1:1



RECOMMENDED P.C.B PATTERN LAYOUT



RECOMMENDED FPC/FFC DIMENSION

Note:

- Material:
  - Housing: thermoplastic high temp.UL94V-0; Color: natural.
  - Latch: thermoplastic high temp.UL94V-0; Color: black.
  - Terminal: copper alloy.
  - Fitting Nail: copper alloy.

2. Finish:

- Terminal:
  - Underplating: Gold flash overall.
- Fitting Nail:
  - Underplating: matt Tin overall.

3. Product must comply HF RoHS specification.

4. Product No:

AFC20-S  
 CKTS \*\* F \* A - 00  
 CONTACTS TYPE  
 E:Upper  
 F:Lower  
 PLATING  
 1:Gold flash 1u"  
 2:Gold flash 2u"  
 3:Gold flash 3u"  
 B:Bright-Tin 90-120u"  
 C:Matt-Tin 90-120u"  
 REMARKS  
 HF:Halogen free  
 PACKING  
 A:Tape&Reel  
 C:Tube

CKTS	DIM A	DIM B	DIM C	DIM D	DIM E	DIM F
4	1.50	3.35	2.57	3.85	3.10	3.90
5	2.90	3.85	3.07	4.35	3.60	4.40
6	2.50	4.35	3.57	4.85	4.10	4.90
7	3.00	4.85	4.07	5.35	4.60	5.40
8	3.50	5.35	4.57	5.85	5.10	5.90
9	4.00	5.85	5.07	6.35	5.60	6.40
10	4.50	6.35	5.57	6.85	6.10	6.90
11	5.00	6.85	6.07	7.35	6.60	7.40
12	5.50	7.35	6.57	7.85	7.10	7.90
13	6.00	7.85	7.07	8.35	7.60	8.40
14	6.50	8.35	7.57	8.85	8.10	8.90
15	7.00	8.85	8.07	9.35	8.60	9.40
16	7.50	9.35	8.57	9.85	9.10	9.90
17	8.00	9.85	9.07	10.35	9.60	10.40
18	8.50	10.35	9.57	10.85	10.10	10.90
19	9.00	10.85	10.07	11.35	10.60	11.40
20	9.50	11.35	10.57	11.85	11.10	11.90
21	10.00	11.85	11.07	12.35	11.60	12.40
22	10.50	12.35	11.57	12.85	12.10	12.90
23	11.00	12.85	12.07	13.35	12.60	13.40
24	11.50	13.35	12.57	13.85	13.10	13.90
25	12.00	13.85	13.07	14.35	13.60	14.40
26	12.50	14.35	13.57	14.85	14.10	14.90
27	13.00	14.85	14.07	15.35	14.60	15.40
28	13.50	15.35	14.57	15.85	15.10	15.90
29	14.00	15.85	15.07	16.35	15.60	16.40
30	14.50	16.35	15.57	16.85	16.10	16.90
31	15.00	16.85	16.07	17.35	16.60	17.40
32	15.50	17.35	16.57	17.85	17.10	17.90
33	16.00	17.85	17.07	18.35	17.60	18.40
34	16.50	18.35	17.57	18.85	18.10	18.90
35	17.00	18.85	18.07	19.35	18.60	19.40
36	17.50	19.35	18.57	19.85	19.10	19.90
37	18.00	19.85	19.07	20.35	19.60	20.40
38	18.50	20.35	19.57	20.85	20.10	20.90
39	19.00	20.85	20.07	21.35	20.60	21.40
40	19.50	21.35	20.57	21.85	21.10	21.90
41	20.00	21.85	21.07	22.35	21.60	22.40
42	20.50	22.35	21.57	22.85	22.10	22.90
43	21.00	22.85	22.07	23.35	22.60	23.40
44	21.50	23.35	22.57	23.85	23.10	23.90
45	22.00	23.85	23.07	24.35	23.60	24.40
46	22.50	24.35	23.57	24.85	24.10	24.90
47	23.00	24.85	24.07	25.35	24.60	25.40
48	23.50	25.35	24.57	25.85	25.10	25.90
49	24.00	25.85	25.07	26.35	25.60	26.40
50	24.50	26.35	25.57	26.85	26.10	26.90

CUSTOMER DRAWING

Tolerance Unspecified (未注公差)  
 0.0 ±0.15 0° ±5°  
 0.00 ±0.10 0° ±3°  
 0.000 ±0.05 0° 0.00 ±1°



深圳市文章济美科技有限公司  
 Shenzhen WenZhangJiMei technology co., LTD

Product Name (产品名称):  
 0.5Pitch H=1.0 FPC Easy-on R/A Type1 SMT CONN  
 Product No (产品料号):  
 AFC20-S\*\*F\*\*-\*

Project View (投影视角)  
 1 OF 1

Page (页数):  
 1 OF 1  
 Designer (设计): Allan  
 Checked (审核):  
 Approved (核准):

Rev 版本	Change Description 变更内容	Date 日期	Revisor 制/修订人
1.0	初版发行	2013/01/25	Allan

