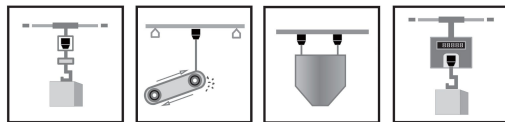




## Features

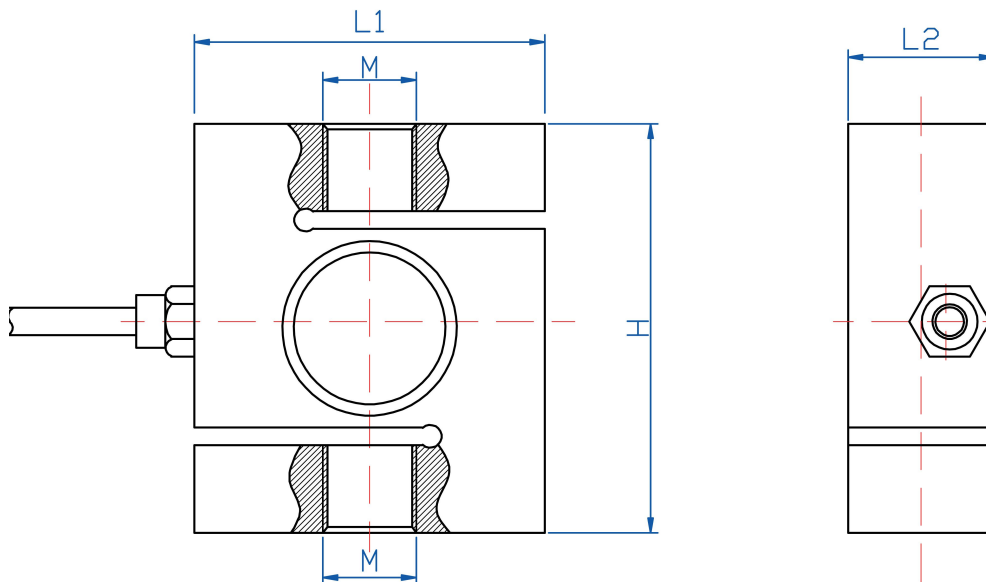
主要特点

- S-Type load cell
- Senior stainless steel
- All sealed by welding
- Easy to install, stable & reliable
- Suitable for tension measurement, batching systems,
- blending & mixing systems, belt scales, etc.
- S 型传感器
- 优质不锈钢材质
- 全密封焊接
- 安装简便、快速，稳定可靠
- 适用于材料试验机、配料秤、搅拌站和皮带秤等



## Dimensions

尺寸



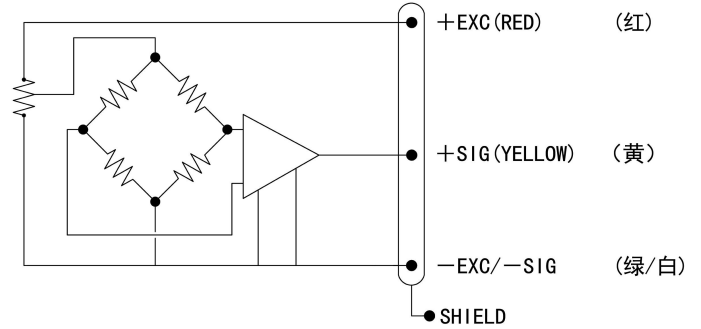
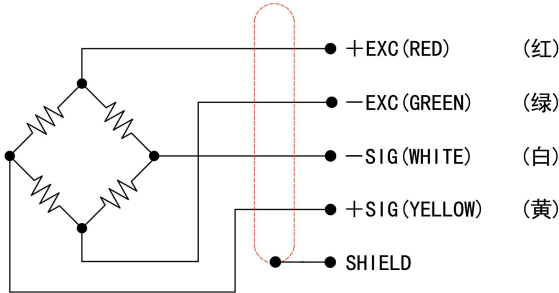
Capacity/ 量程	L1	L2	H	M
5 ~ 50kg	50.8	13	63	M8*1.25
100 ~ 300kg	50.8	19	76	M12*1.75
0.5 ~ 1T	50.8	25	76	M12*1.75
2T	64	25	70	M16*2
3 ~ 5T	86	25	70	M18*1.5

## Schematic

接线方式

①RED: +input 红色: +激励  
 ②GREEN: -input 绿色: -激励  
 ③WHITE: -output 白色: -信号  
 ④YELLOW: +output 黄色: +信号

①RED: +input 红色: +激励  
 ②YELLOW: +output 黄色: +信号  
 ③GREEN/WHITE: -input/-output



## Specification

技术参数

Model	型号	TS02
Capacity	量程	0 ~ 5T
Rated Output	输出灵敏度	2.0 ± 0.005mV/V
Zero Balance	零点平衡	± 1%F.S
Creep after 30 minutes	蠕变	± 0.03%F.S
Nonlinearity	非线性	± 0.03%F.S
Hysteresis	滞后	± 0.03%F.S
Repeatability	重复性	± 0.03%F.S
Temperature effect on output	灵敏度温漂	≤ 0.002%F.S/°C
Temperature effect on zero	零点温漂	≤ 0.002%F.S/°C
Safe Temperature Range	工作温度范围	-10 °C ~ +70 °C
Temperature Compensated	温度补偿范围	-10 °C ~ +40 °C
Safe Overload	安全载荷	150%F.S
Input Impedance	输入阻抗	405 Ω ± 20 Ω
Output Impedance	输出阻抗	350 Ω ± 3 Ω
Insulation Resistance	绝缘阻抗	≥ 5000 MΩ (50VDC)
Rated Excitation	推荐激励电压	5 ~ 15VDC
Amplifier power supply	变送器供电	24VDC
The output of the amplifier	变送输出	4 ~ 20mA 或 0 ~ 10VDC
Protection grade	防护等级	IP66
Cable Color code	导线颜色	Red(+E) Green(-E) Yellow(+S) White(-S)

## Accessories

配套附件

仪表: TXS(24VDC 供电)

接线盒: TB01(变送输出 4 ~ 20mA 或 0 ~ 10VDC)

安装附件: 吊环螺丝