

NOTES :

1. Specification:

- 1> Operating force: 500gf Max
- 2> Operating Temperature: -30° to+85°
- 3> Storage Temperature: -40° to+85°
- 4> Mechanical Life: 3000cycles minimum

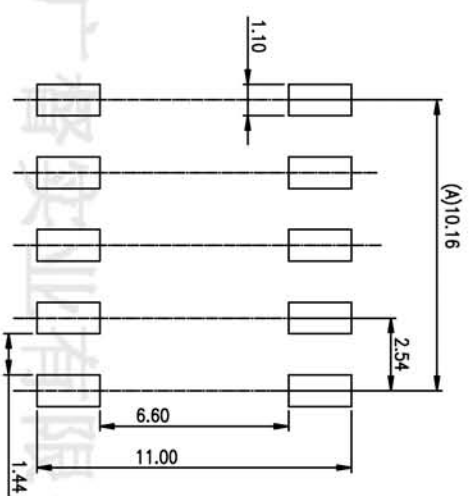
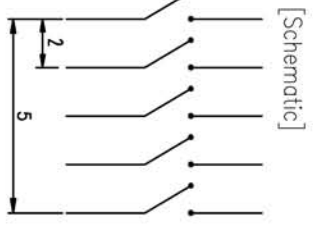
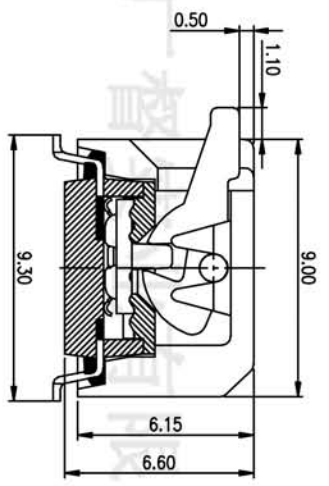
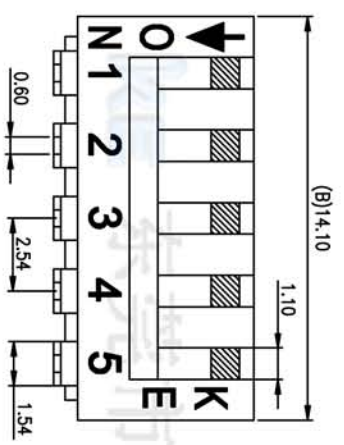
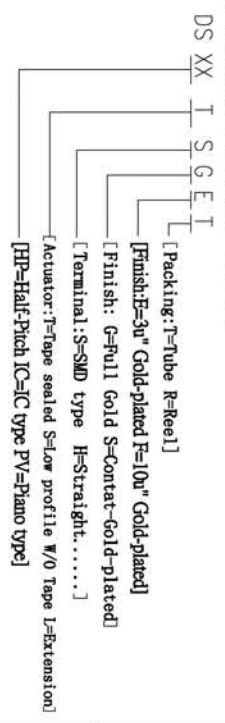
2. PLATING:

GOLD FLASH 1u"(min.) SOLDER TAIL,
3u" GOLD PLATING ON THE CONTACT AREA,
WITH 50u" NICKEL UNDERPLATINGOVERALL.

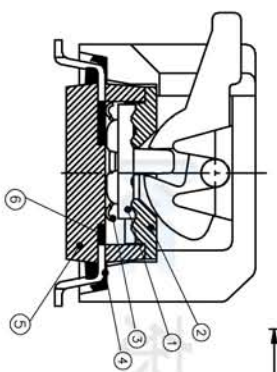
3. CONTACT RATING:

- 1.SWITCHING: 25mA at 24ADC
- 2.NON-SWITCHING: 100mA at 50VDC
- WITH 50u" NICKEL UNDERPLATINGOVERALL.

4. PART NUMBER DESCRIPTION :



RECOMMENDED PCB LAYOUT (TOP VIEW)



Number	Part Name	Material	Finished	TOLERANCE UNLESS OTHERWISE SPECIFIED	UNLESS SPECIFIED	INSPECTION COPY	FILE NO.
①	Actuator	UL94 V0	White	0 ± 0.10	0 ± 1°		DSPV05LSGET
②	Cover	UL94 V0	Black	.00 ± 0.05	0 ± 0.5°		DSPV05LSGET
③	Movable	Copper Alloy	3u" Gold	.000±	.00±		DSPV05LSGET
④	Terminal	Brass	1u" Gold	DESIGN 0.03	lu er xin	03/20/12'	DSPV05LSGET
⑤	Base	UL94 V0	Black	DRAWING			DSPV05LSGET
⑥	Terminal Contact	Brass	3u" Gold	CHECK			DSPV05LSGET
				APPRO.			

1	2	3	4	5	6
---	---	---	---	---	---