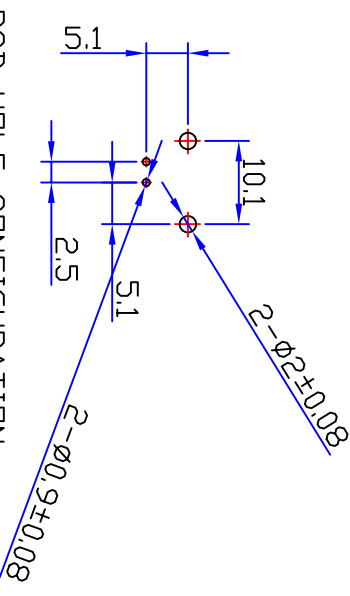
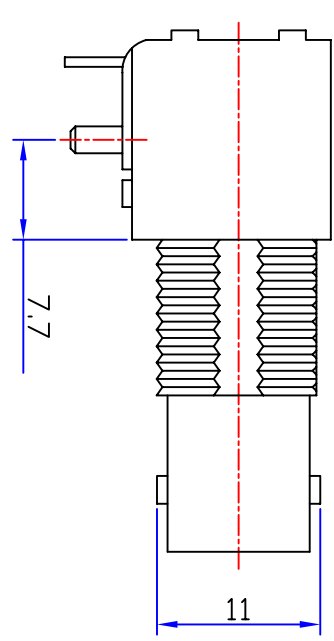
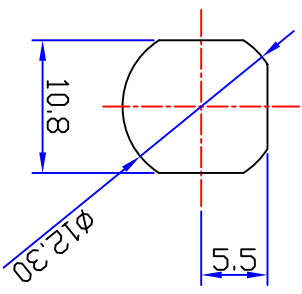
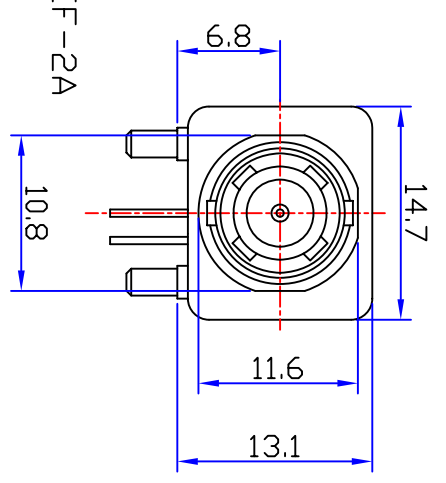
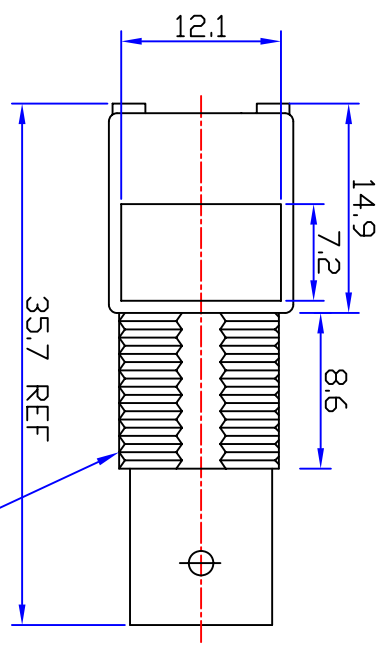
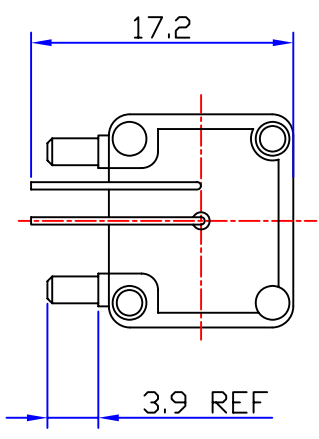




Product NO.		DOSIN-801-0030		
REV	DESCRIPTION	DMN	DATE	APPROVEN
A	First Issue	JIM	2012/11/02	John kime



Specifications

Impedance: 50 Ohms
 Frequency Range: DC~3G
 VSWR: 1.3MAX
 Working Voltage: 500V rms @ sea level
 Insulation Resistance: 5000 Ohms min
 Temperature Range: -55°C T0 +155°C
 Relative Temperature: ≤95% (40°C ±2°C)
 Drawings products are in line with ROHS standards

C	INSULATOR	POM	NONE	1
B	CONTACT	BRASS	GOLD	1
A	BODDY	ZINC	NICKEL	1
NO	DESCRIPTION	MATERIAL	FINISHED	QTY

NOTE:		DRAWN		2012/11/10	
CHECKED		Zelin Zhang		10	
Tolerance		View		0-6 6-30 30-120 Angular	
UNIT		MM		±0.15 ±0.20 ±0.5 ±2°	
SCALE		1:1			

Name:		BNC CONNECTOR DNN		
SIZE	Product NO.	DOSIN-801-0030		
Date/Time	CAD FILE	D:/company drawings/BD		
2012/11/02		SHEET: 1 OF 1		

Dosin Industrial(H.K)Co.Ltd
 东莞市德奈五金电子有限公司
 Dosin Hardware Electronics Co.,Ltd
 E-mail: dosin2005@163.com
 dosin2005@dosing-china.com
 Web: http://www.dosing.com
 TEL: (0086)769-81153906
 FAX: (0086)769-81875836

PCB HOLE CONFIGURATION
 RECOMMENDED PANEL CUTOUTS