

# TC7S04F, TC7S04FU

## INVERTER

The TC7S04 is a high speed C<sup>2</sup>MOS INVERTER fabricated with silicon gate C<sup>2</sup>MOS technology.

It achieves high speed operation similar to equivalent LSTTL while maintaining the C<sup>2</sup>MOS low power dissipation.

The internal circuit is composed of 3 stages including buffer output, which enables high noise immunity and stable output.

The input is equipped with protection circuits against static discharge or transient excess voltage.

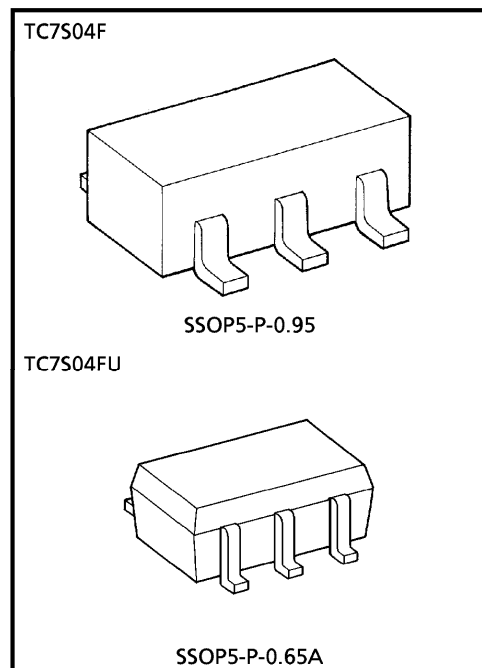
Output currents are 1/2 compared to TC74HC series models.

### FEATURES

- High Speed .....  $t_{pd} = 7\text{ns}$  (Typ.) at  $V_{CC} = 5\text{V}$
- Low Power Dissipation .....  $I_{CC} = 1\mu\text{A}$  (Max.) at  $T_a = 25^\circ\text{C}$
- High Noise Immunity .....  $V_{NIH} = V_{NIL} = 28\% V_{CC}$  (Min.)
- Output Drive Capability ..... 5 LSTTL Loads
- Symmetrical Output Impedance ...  $|I_{OH}| = I_{OL} = 2\text{mA}$  (Min.)
- Balanced Propagation Delays .....  $t_{pLH} \cong t_{pHL}$
- Wide Operating Voltage Range ...  $V_{CC}(\text{opr}) = 2\sim 6\text{V}$

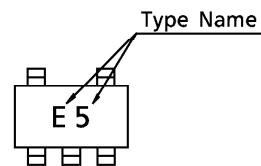
### MAXIMUM RATINGS

| CHARACTERISTIC              | SYMBOL    | RATING               | UNIT |
|-----------------------------|-----------|----------------------|------|
| Supply Voltage Range        | $V_{CC}$  | -0.5~7               | V    |
| DC Input Voltage            | $V_{IN}$  | -0.5~ $V_{CC} + 0.5$ | V    |
| DC Output Voltage           | $V_{OUT}$ | -0.5~ $V_{CC} + 0.5$ | V    |
| Input Diode Current         | $I_{IK}$  | $\pm 20$             | mA   |
| Output Diode Current        | $I_{OK}$  | $\pm 20$             | mA   |
| DC Output Current           | $I_{OUT}$ | $\pm 12.5$           | mA   |
| DC $V_{CC}$ /Ground Current | $I_{CC}$  | $\pm 25$             | mA   |
| Power Dissipation           | $P_D$     | 200                  | mW   |
| Storage Temperature         | $T_{stg}$ | -65~150              | °C   |
| Lead Temperature (10s)      | $T_L$     | 260                  | °C   |

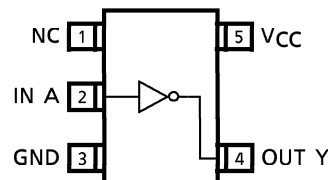


Weight SSOP5-P-0.95 : 0.016g (Typ.)  
SSOP5-P-0.65A : 0.006g (Typ.)

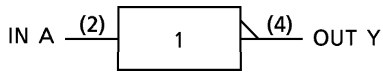
### MARKING



### PIN ASSIGNMENT (TOP VIEW)



**CIRCUIT DIAGRAM**



**RECOMMENDED OPERATING CONDITIONS**

| CHARACTERISTIC           | SYMBOL     | RATING   | UNIT |
|--------------------------|------------|--|------|
| Supply Voltage           | $V_{CC}$   | 2~6  | V    |
| Input Voltage            | $V_{IN}$   | 0~ $V_{CC}$  | V    |
| Output Voltage           | $V_{OUT}$  | 0~ $V_{CC}$  | V    |
| Operating Temperature    | $T_{opr}$  | -40~85   | °C   |
| Input Rise and Fall Time | $t_r, t_f$ | 0~1000 ( $V_{CC} = 2.0V$ )<br>0~ 500 ( $V_{CC} = 4.5V$ )<br>0~ 400 ( $V_{CC} = 6.0V$ ) | ns   |

**DC ELECTRICAL CHARACTERISTICS**

| CHARACTERISTIC            | SYMBOL   | TEST CONDITION           | $T_a = 25^\circ C$  |                          |          |                          |           |      | UNIT      |         |   |     |   |      |
|---------------------------|----------|--------------------------|---------------------|--------------------------|----------|--------------------------|-----------|------|-----------|---------|---|-----|---|------|
|                           |          |                          | $V_{CC}$            | MIN.                     | TYP.     | MAX.                     | MIN.      | MAX. |           |         |   |     |   |      |
| High-Level Input Voltage  | $V_{IH}$ | —                        | 2.0                 | 1.5                      | —        | —                        | 1.5       | —    | V         |         |   |     |   |      |
|                           |          |                          | 4.5                 | 3.15                     | —        | —                        | 3.15      | —    |           |         |   |     |   |      |
|                           |          |                          | 6.0                 | 4.2                      | —        | —                        | 4.2       | —    |           |         |   |     |   |      |
| Low-Level Input Voltage   | $V_{IL}$ | —                        | 2.0                 | —                        | —        | 0.5                      | —         | 0.5  | V         |         |   |     |   |      |
|                           |          |                          | 4.5                 | —                        | —        | 1.35                     | —         | 1.35 |           |         |   |     |   |      |
|                           |          |                          | 6.0                 | —                        | —        | 1.8                      | —         | 1.8  |           |         |   |     |   |      |
| High-Level Output Voltage | $V_{OH}$ | $V_{IN} = V_{IL}$        | $I_{OH} = -20\mu A$ | 2.0                      | 1.9      | 2.0                      | —         | 1.9  | —         | V       |   |     |   |      |
|                           |          |                          |                     | 4.5                      | 4.4      | 4.5                      | —         | 4.4  | —         |         |   |     |   |      |
|                           |          |                          |                     | 6.0                      | 5.9      | 6.0                      | —         | 5.9  | —         |         |   |     |   |      |
| Low-Level Output Voltage  | $V_{OL}$ | $V_{IN} = V_{IH}$        | $I_{OL} = 20\mu A$  | 2.0                      | —        | 0.0                      | 0.1       | —    | 0.1       | V       |   |     |   |      |
|                           |          |                          |                     | 4.5                      | —        | 0.0                      | 0.1       | —    | 0.1       |         |   |     |   |      |
|                           |          |                          |                     | 6.0                      | —        | 0.0                      | 0.1       | —    | 0.1       |         |   |     |   |      |
| Input Leakage Current     | $I_{IN}$ | $V_{IN} = V_{CC}$ or GND |                     | 6.0                      | —        | —                        | $\pm 0.1$ | —    | $\pm 1.0$ | $\mu A$ |   |     |   |      |
|                           |          |                          |                     | Quiescent Supply Current | $I_{CC}$ | $V_{IN} = V_{CC}$ or GND |           | 6.0  | —         |         | — | 1.0 | — | 10.0 |

Output currents are 1/2 compared to TC74HC series models.

**AC ELECTRICAL CHARACTERISTICS ( $C_L = 15\text{pF}$ , Input  $t_r = t_f = 6\text{ns}$ ,  $V_{CC} = 5\text{V}$ )**

| CHARACTERISTIC         | SYMBOL    | TEST CONDITION | Ta = 25°C |      |      | UNIT |
|------------------------|-----------|----------------|-----------|------|------|------|
|                        |           |                | MIN.      | TYP. | MAX. |      |
| Output Transition Time | $t_{TLH}$ | —              | —         | 5    | 10   | ns   |
|                        | $t_{THL}$ |                |           |      |      |      |
| Propagation Delay Time | $t_{pLH}$ | —              | —         | 7    | 15   | ns   |
|                        | $t_{pHL}$ |                |           |      |      |      |

**AC ELECTRICAL CHARACTERISTICS ( $C_L = 50\text{pF}$ , Input  $t_r = t_f = 6\text{ns}$ )**

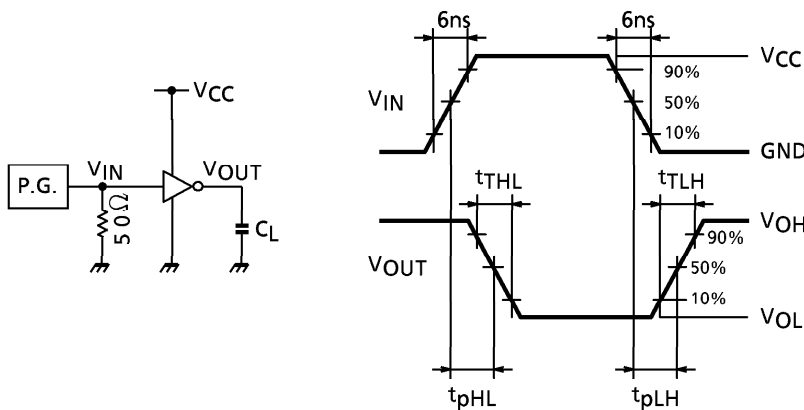
| CHARACTERISTIC                | SYMBOL    | TEST CONDITION | $V_{CC}$ | Ta = 25°C |      |      | Ta = -40~85°C |      | UNIT |
|-------------------------------|-----------|----------------|----------|-----------|------|------|---------------|------|------|
|                               |           |                |          | MIN.      | TYP. | MAX. | MIN.          | MAX. |      |
| Output Transition Time        | $t_{TLH}$ | —              | 2.0      | —         | 50   | 125  | —             | 155  | ns   |
|                               | $t_{THL}$ |                | 4.5      | —         | 14   | 25   | —             | 31   |      |
|                               | $t_{pHL}$ |                | 6.0      | —         | 12   | 21   | —             | 26   |      |
| Propagation Delay Time        | $t_{pLH}$ | —              | 2.0      | —         | 48   | 100  | —             | 125  | ns   |
|                               | $t_{pHL}$ |                | 4.5      | —         | 12   | 20   | —             | 25   |      |
|                               | $t_{pHL}$ |                | 6.0      | —         | 9    | 17   | —             | 21   |      |
| Input Capacitance             | $C_{IN}$  | —              | —        | 5         | 10   | —    | 10            | pF   |      |
| Power Dissipation Capacitance | $C_{pD}$  | (Note 1)       | —        | 10        | —    | —    | —             |      |      |

Note 1 :  $C_{pD}$  defined as the value of internal equivalent capacitance of IC which is calculated from the operating current consumption without load (refer to Test Circuit).

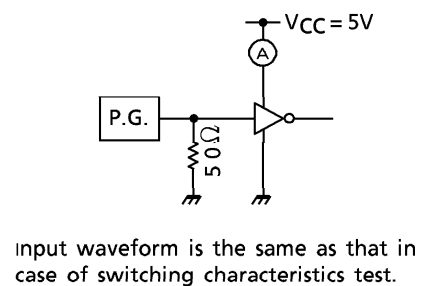
Average operating current can be obtained by the equation hereunder.

$$I_{CC}(\text{opr}) = C_{pD} \cdot V_{CC} \cdot f_{IN} + I_{CC}$$

**SWITCHING CHARACTERISTICS TEST CIRCUIT**



**$I_{CC}(\text{opr})$  TEST CIRCUIT**



PACKAGE DIMENSIONS  
SSOP5-P-0.95

Unit : mm



Weight : 0.016g (Typ.)

**PACKAGE DIMENSIONS**  
SSOP5-P-0.65A

Unit : mm



Weight : 0.006g (Typ.)

**RESTRICTIONS ON PRODUCT USE**

000707EBA

- TOSHIBA is continually working to improve the quality and reliability of its products. Nevertheless, semiconductor devices in general can malfunction or fail due to their inherent electrical sensitivity and vulnerability to physical stress. It is the responsibility of the buyer, when utilizing TOSHIBA products, to comply with the standards of safety in making a safe design for the entire system, and to avoid situations in which a malfunction or failure of such TOSHIBA products could cause loss of human life, bodily injury or damage to property. In developing your designs, please ensure that TOSHIBA products are used within specified operating ranges as set forth in the most recent TOSHIBA products specifications. Also, please keep in mind the precautions and conditions set forth in the "Handling Guide for Semiconductor Devices," or "TOSHIBA Semiconductor Reliability Handbook" etc..
- The TOSHIBA products listed in this document are intended for usage in general electronics applications (computer, personal equipment, office equipment, measuring equipment, industrial robotics, domestic appliances, etc.). These TOSHIBA products are neither intended nor warranted for usage in equipment that requires extraordinarily high quality and/or reliability or a malfunction or failure of which may cause loss of human life or bodily injury ("Unintended Usage"). Unintended Usage include atomic energy control instruments, airplane or spaceship instruments, transportation instruments, traffic signal instruments, combustion control instruments, medical instruments, all types of safety devices, etc.. Unintended Usage of TOSHIBA products listed in this document shall be made at the customer's own risk.
- The products described in this document are subject to the foreign exchange and foreign trade laws.
- The information contained herein is presented only as a guide for the applications of our products. No responsibility is assumed by TOSHIBA CORPORATION for any infringements of intellectual property or other rights of the third parties which may result from its use. No license is granted by implication or otherwise under any intellectual property or other rights of TOSHIBA CORPORATION or others.
- The information contained herein is subject to change without notice.