



4-Channel Input Audio Processor IC

PT2314

Description

PT2314 is a four-channel input digital audio processor utilizing CMOS Technology. Volume, Bass, Treble and Balance are incorporated into a single chip. Loudness Function and Selectable Input Gain are also provided to build a highly effective electronic audio processor having the highest performance and reliability with the least external components. All functions are programmable using the I²C Bus. The pin assignments and application circuit are optimized for easy PCB layout and cost saving advantage for audio application.

Features

- CMOS Technology
- Least External Components
- Treble and Bass Control
- Loudness Function
- 4 Stereo Inputs with Selectable Input Gain
- Input/Output for External Noise Reduction System/Equalizer
- 2 Independent Speaker Controls for Balance Control
- Independent Mute Function
- Volume Control in 1.25 dB/step
- Low Distortion
- Low Noise and DC Stepping
- Controlled by I²C Bus Micro-Processor Interface
- Available in 28 Pins, DIP/SO Package

Applications

- Car Stereo (Audio)
- Hi-Fi Audio System

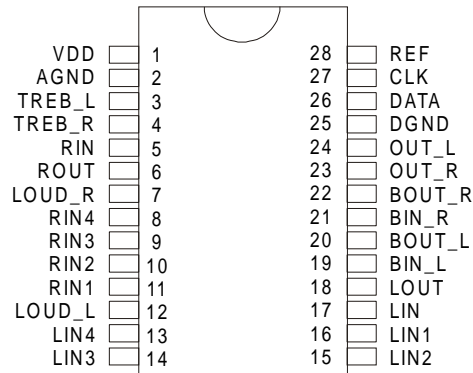
Note: Purchase of I²C Component of Princeton Technology Corporation (PTC) conveys a license under Philips I²C Patent Right to use these components in any I²C System, provided that the system conforms to the I²C Standard Specification defined by Philips



4-Channel Input Audio Processor IC

PT2314

Pin Configuration



PT2314

Order Information

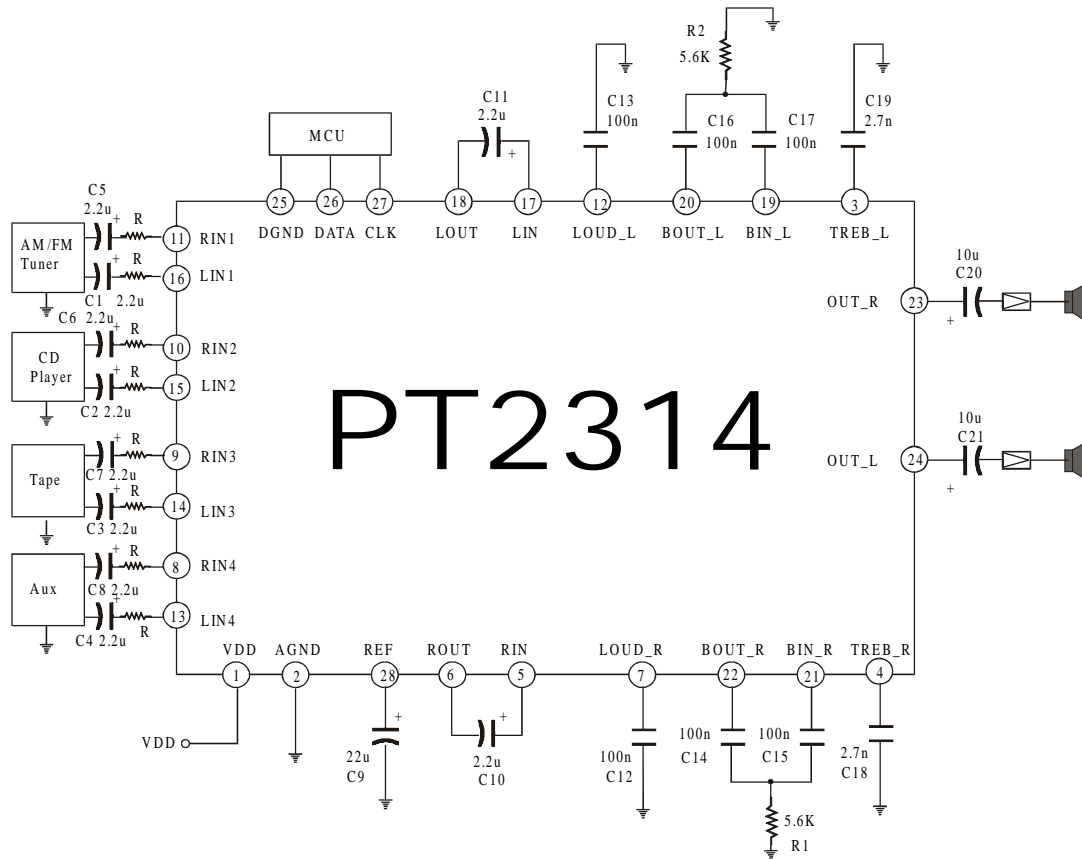
Valid Part Number	Package Type
PT2314-D	28 Pins, DIP (300 mil)
PT2314	28 Pins, SO (300 mil)



4-Channel Input Audio Processor IC

PT2314

Application Circuit



- Note:
1. It is suggested that you use Mylar Capacitor for capacitors, C12 ~ C19.
 2. Resistor (R) Range = 2.0 K Ohms to 3.6 K Ohms
 3. Recommended Value of Resistor (R) = 2.4 K Ohms