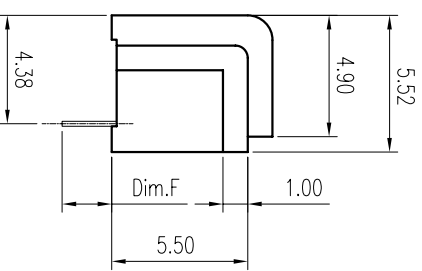
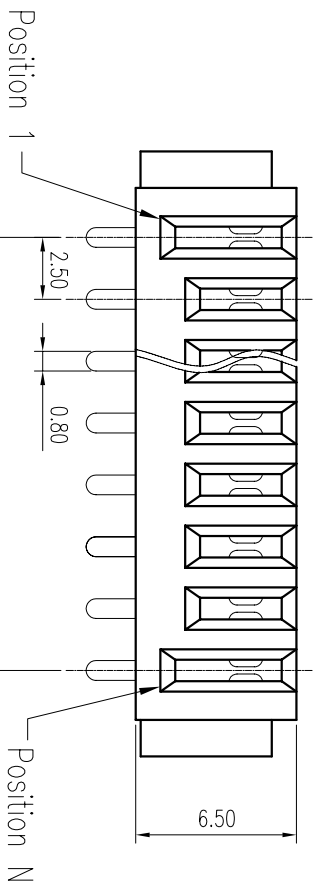
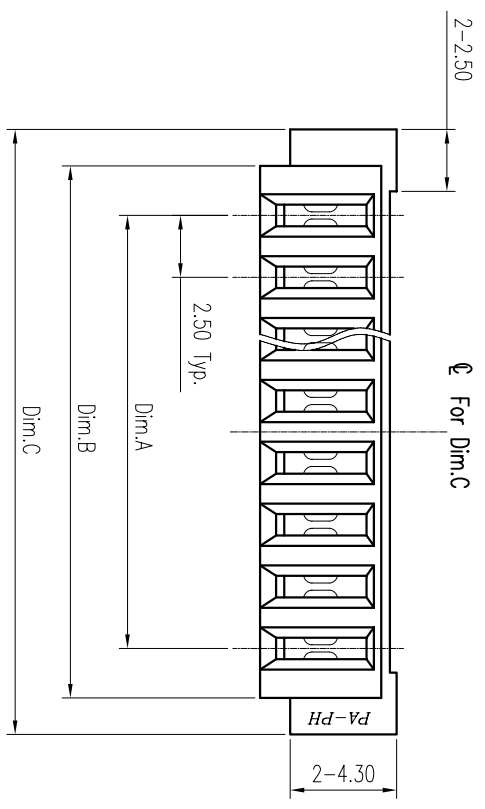


REV.	DESCRIPTION	ECN NO.	DATE	DRAWER

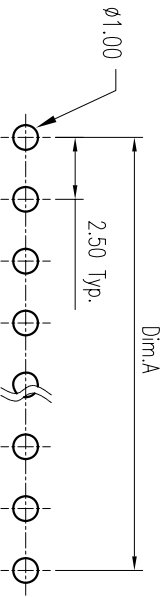
PIN	Dim.A	Dim.B	Dim.C
CF25-00-N-03-D-XX-X-A	5.00	9.00	11.95
CF25-00-N-04-D-XX-X-A	7.50	11.50	14.45
CF25-00-N-05-D-XX-X-A	10.00	14.00	16.95
CF25-00-N-06-D-XX-X-A	12.50	16.50	19.45
CF25-00-N-07-D-XX-X-A	15.00	19.00	21.95
CF25-00-N-08-D-XX-X-A	17.50	21.50	24.45
CF25-00-N-09-D-XX-X-A	20.00	24.00	26.95
CF25-00-N-0A-D-XX-X-A	22.50	26.50	29.45



Notes:
 1.Material:
 Housing: THERMOPLASTIC UL 94V-0 , Black
 Contact: COPPER ALLOY
 2.Finish: PLATING GOLD
 3.Specification
 Current Rating: 5A
 Instant Current: 7A
 Contact Resistance: 30mΩ
 Insulation Resistance: 100MΩ
 Dielectric Voltage: 500V
 Operating Temperature: -40~C ~105~C
 4.Order Information:
 C F 25-00-N-XX-D-XX-X-A

F: FEMALE
 M: MALE
 Series
 00:无柱
 01:柱子在前
 02:柱子在中間
 03:柱子侧前
 04:柱子底面
 Floolproof Hole Option
 N:Without Floolproof Hole
 Amount of Pins
 03:3Pin
 0A:10Pin
 Terminal Option
 1: Dim.F=2.0mm
 2: Dim.F=3.0mm
 3: Dim.F=4.5mm
 Plating
 G1:G/F
 G2:2U"GOLD
 G3:3U"GOLD
 Option
 D:180°

Recommended P.C.B. Layout
 Layout Tolerance = ± 0.05 mm



DIMENSION IN mm [inch]	
Tolerance unless otherwise specified	
X ± --	X' ± 10'
XX ± 0.38	XX' ± 5'
XXX ± 0.25	XXX' ± 2'
XXXX ± 0.13	XXXX' ± --



东莞市鹏祥电子有限公司

TEL:0769-81668635 FAX:0769-81668646

2.5 Battery Conn./Female Type (CUSTOMER DRAWING)		Scale: 1 : 1	
PART NO:	CF:25-00-N-XX-D-XX-X-A	Size:	A 4
DRAW NO:	CF:25-00-N-XX-D-XX-X-A	Rev:	A
Approver:	Checker:	Drawer:	SKY 2009/02/28
Sheet: 2 / 58			