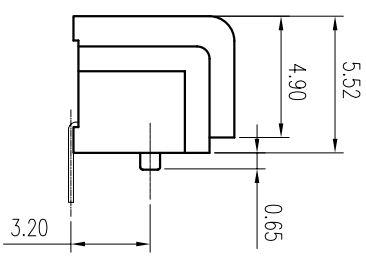
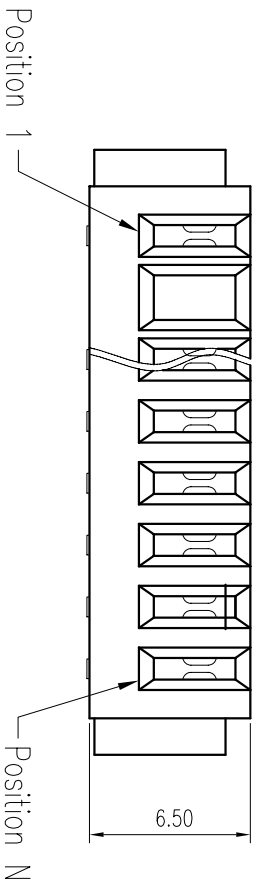
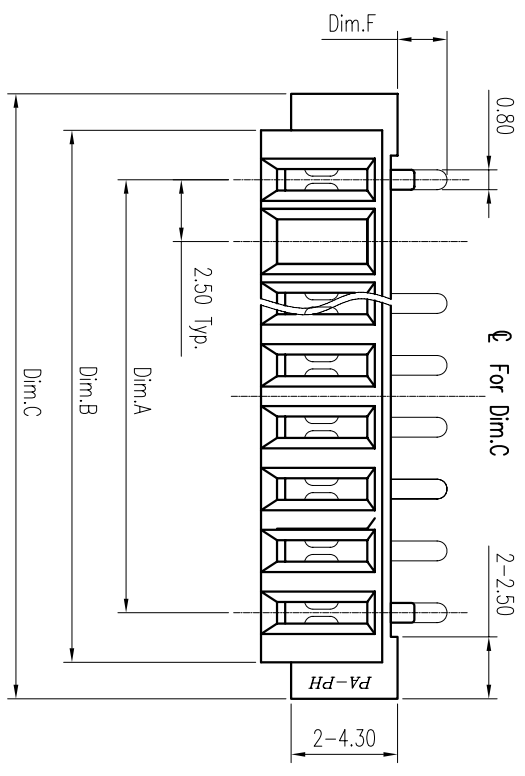


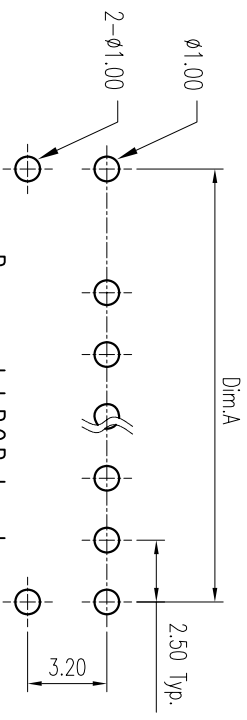
REV.	DESCRIPTION	ECN NO.	DATE	DRAWER

PIN	Dim.A	Dim.B	Dim.C
CF25-04-L-03-A-XX-X	7.50	11.50	14.45
CF25-04-L-04-A-XX-X	10.00	14.00	16.95
CF25-04-L-05-A-XX-X	12.50	16.50	19.45
CF25-04-L-06-A-XX-X	15.00	19.00	21.95
CF25-04-L-07-A-XX-X	17.50	21.50	24.45
CF25-04-L-08-A-XX-X	20.00	24.00	26.95
CF25-04-L-09-A-XX-X	22.50	26.50	29.45
CF25-04-L-0A-A-XX-X	25.00	29.00	31.95



Notes:  
 1.Material:  
 Housing: THERMOPLASTIC UL 94V-0 , Black  
 Contact: COPPER ALLOY  
 2.Finish: PLATING GOLD  
 3.Specification  
 Current Rating: 5A  
 Instant Current: 7A  
 Contact Resistance: 30mΩ  
 Insulation Resistance: 100MΩ  
 Dielectric Voltage: 500V  
 Operating Temperature: -40~C ~105~C  
 4.Order Information:  
 C F 25-04-L-XX-A-XX-X

F: FEMALE  
 M: MALE  
 Series  
 00:无柱  
 01:柱子在前  
 02:柱子在中间  
 03:柱子侧前  
 04:柱子底面  
 Floodproof Hole Option  
 R:Right  
 L:Left  
 Amount of Pins  
 03:3Pin  
 0A:10Pin  
 Terminal Option  
 1: Dim.F=2.0mm  
 2: Dim.F=2.5mm  
 3: Dim.F=4.5mm  
 Plating  
 G1:G/F  
 G2:2U" GOLD  
 G3:3U" GOLD  
 Option  
 A:90°



Recommended P.C.B. Layout  
 Layout Tolerance = ± 0.05 mm  
 Recommended P.C.B. Layout  
 Layout Tolerance = ± 0.05 mm

DIMENSION	IN mm	[inch]
Tolerance unless otherwise specified	±	--
X	±	10'
XX	±	0.38
XXX	±	0.25
XXXX	±	0.13

东莞市鹏祥电子有限公司  
 TEL:0769-81668635 FAX:0769-81668646

ITEM :	2.5 Battery Conn.Female Type (CUSTOMER DRAWING)
PART NO:	CF:25-04-L-XX-A-XX-X
DRAW NO:	CF:25-04-L-XX-A-XX-X
Scale:	1 : 1
Size:	A 4
Rev :	A
Sheet:	31 / 58