

GENERAL TECHNICAL CHARACTERISTICS

Reference standards : IEC 61071-60068
 Dielectric : Polypropylene film
 Construction : Dry construction, filled by solid resin,
 Case : Aluminium case

ELECTRICAL CHARACTERISTICS

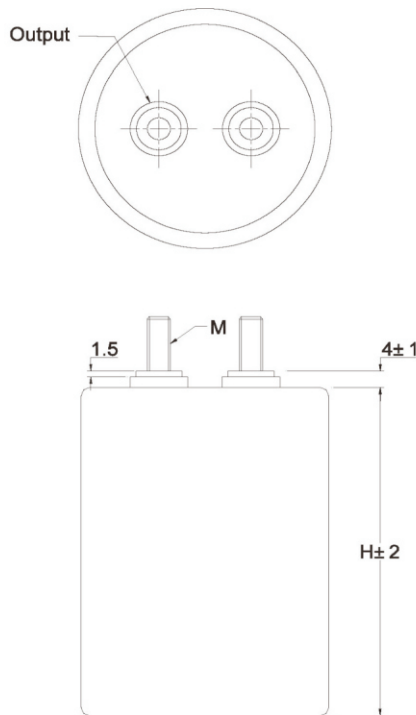
Operating temperature range(case) : - 40 to + 85 °C
 Capacitance : 8 to 350 µF
 Rated Voltage : 400 to 850 Vdc (250 to 450Vac)
 Tolerance : ± 5% , ± 10%
 Dissipation factor: $\leq 2.0 \times 10^{-3}$ Measured at 1000 Hz and 25°C
 Life expectancy : 100,000 hours at Un and 70°C
 30,000 hours at Urms



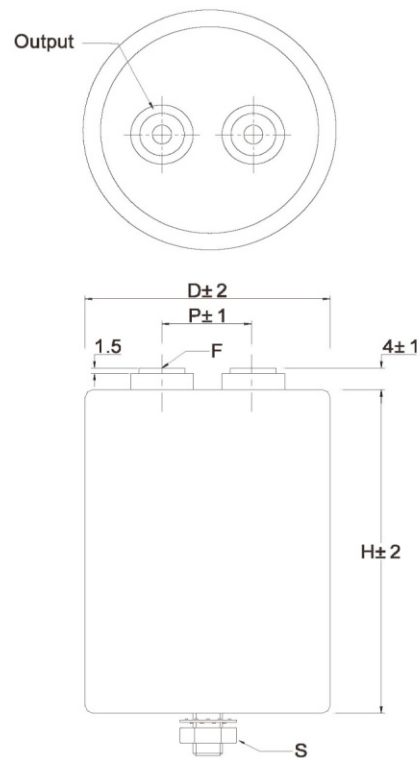
TEST METHODS AND PERFORMANCES

Test voltage between terminals : 1.5xUn for 10s at 25 °C
 Test voltage terminal to case : 3 KV 50Hz for 60 sec
 Insulation resistance (C**Ri*) : ≥ 5000 s

DESIGN



Clamp mounting



Stud mounting

Case	Out put					Stud mounting	
	M	Torque	F	Torque	P	S	Torque
D=55			M5×8	2.5 N.M Max	22.0	M10×12	6.0 N.M Max
D=60,65			M5×8	2.5 N.M Max	28.6	M12×16	8.0 N.M Max
D=76,86	M 8×20	8.5 N.M Max	M6×8	4.5 N.M Max	32.0		

Electrical specifications, ordering codes

Part Number	Cap (μF)	Diameter (mm)	Height (mm)	P (mm)	Irms max. (A)	ESR (mΩ)	RTH (k/W)	Weight (kg)
Un dc 400V ,Upk dc 600V,Urms ac 250V								
PAC-400-30	30	55	55	22.0	27	2.8	9.7	0.20
PAC-400-50	50	55	70	22.0	29	3.0	8.1	0.23
PAC-400-60	60	60	70	28.6	31	2.7	7.5	0.25
PAC-400-70	70	65	70	28.6	34	2.5	7.0	0.30
PAC-400-100	100	60	125	22.0	44	2.2	4.9	0.40
PAC-400-120	120	60	125	28.6	47	2.0	4.6	0.45
PAC-400-130	130	65	125	28.6	49	2.0	4.3	0.50
PAC-400-150	150	76	125	32.0	53	1.9	3.7	0.75
PAC-400-200	200	86	125	32.0	59	1.7	3.3	0.95
PAC-400-250	250	76	180	32.0	68	1.6	2.6	1.00
PAC-400-350	350	86	180	32.0	74	1.5	2.3	1.30
Un dc 600V ,Upk dc 800V,Urms ac 330V								
PAC-600-15	15	55	55	22.0	24	3.5	9.7	0.20
PAC-600-25	25	55	70	22.0	25	3.9	8.1	0.23
PAC-600-33	33	60	70	28.6	29	3.3	7.5	0.25
PAC-600-40	40	65	70	28.6	31	2.9	7.0	0.30
PAC-600-50	50	55	125	22.0	40	2.6	4.9	0.40
PAC-600-65	65	60	125	28.6	44	2.3	4.6	0.45
PAC-600-75	75	65	125	28.6	47	2.2	4.3	0.50
PAC-600-100	100	76	125	32.0	52	1.9	3.7	0.75
PAC-600-130	130	86	125	32.0	58	1.8	3.3	0.95
PAC-600-150	150	76	180	32.0	67	1.7	2.6	1.00
PAC-600-200	200	86	180	32.0	73	1.6	2.3	1.30
Un dc 700V ,Upk dc 900V,Urms ac 400V								
PAC-700-12	12	55	55	22.0	24	3.5	9.7	0.20
PAC-700-15	15	55	70	22.0	23	4.8	8.1	0.23
PAC-700-20	20	60	70	28.6	26	3.9	7.5	0.25
PAC-700-25	25	65	70	28.6	29	3.4	7.0	0.30
PAC-700-33	33	55	125	22.0	38	2.9	4.9	0.40
PAC-700-40	40	60	125	28.6	41	2.6	4.6	0.45
PAC-700-50	50	65	125	28.6	45	2.3	4.3	0.50
PAC-700-70	70	76	125	32.0	51	2.0	3.7	0.75
PAC-700-90	90	86	125	32.0	57	1.9	3.3	0.95
PAC-700-100	100	76	180	32.0	65	1.8	2.6	1.00
PAC-700-130	130	86	180	32.0	71	1.7	2.3	1.30
Un dc 850V ,Upk dc 1000V,Urms ac 450V								
PAC-850-8.0	8.0	55	55	22.0	23	4.0	9.7	0.20
PAC-850-12	12	55	70	22.0	23	4.9	8.1	0.23
PAC-850-15	15	60	70	28.6	25	4.2	7.5	0.25
PAC-850-18	18	65	70	28.6	28	3.7	7.0	0.30
PAC-850-22	22	55	125	22.0	35	3.3	4.9	0.40
PAC-850-27	27	60	125	28.6	39	2.9	4.6	0.45
PAC-850-33	33	65	125	28.6	42	2.6	4.3	0.50
PAC-850-47	47	76	125	32.0	49	2.2	3.7	0.75
PAC-850-60	60	86	125	32.0	54	2.0	3.3	0.95
PAC-850-70	70	76	180	32.0	63	1.9	2.6	1.00
PAC-850-90	90	86	180	32.0	69	1.8	2.3	1.30

How to Order:

PAC - 800 - 8.0 - * # _____ C for clamp. S for stud mounting
 _____ F for thread, M for lead screw
 _____ Capacitance
 _____ Voltage