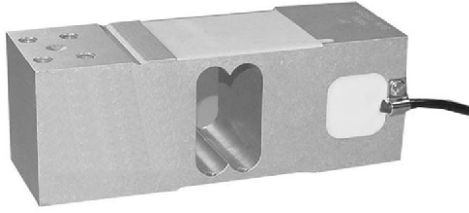


Model 1263

Vishay Tedea-Huntleigh



Aluminum High Capacity Single Point Load Cell



FEATURES

- Capacities 50 - 635kg
- Aluminum construction
- Single point 600 x 600mm platform
- OIML R60 approved
- IP66 protection
- Available with metric threads

OPTIONAL FEATURES

- EEx ia IIC T4 hazardous area approval

DESCRIPTION

Model 1263 is a high performance, high capacity single point load cell designed for direct mounting of large weighing platforms.

The rugged construction offers high immunity to side forces making it suitable for a wide range of weighing applications, including bench scales, check weighing and process weighing.

A special humidity resistant protective coating assures long term stability over the entire compensated temperature range.

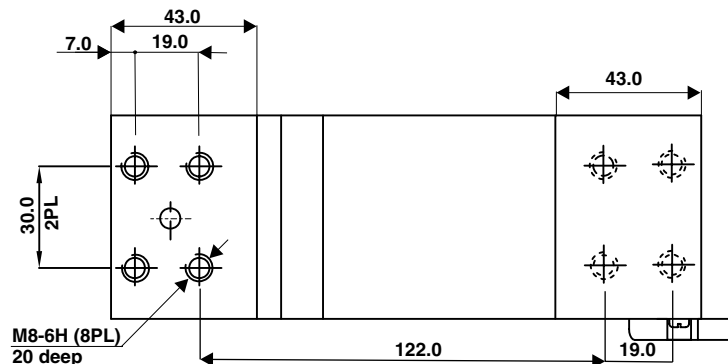
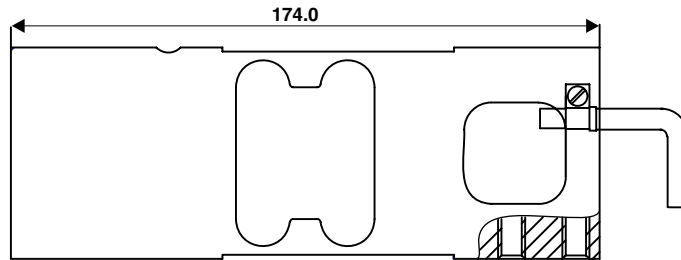
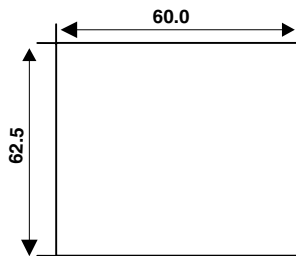
The 1263 provides scale manufacturers with a high accuracy low cost sensor to meet today's needs.

APPLICATIONS

- Large platform scales
- Hanging scales
- Check weighing

OUTLINE DIMENSIONS in mm

All dimensions in mm



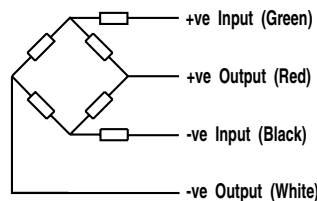


SPECIFICATIONS

| PARAMETER | VALUE | | UNIT |
|-----------------------------------|--|------------|-----------------------|
| Rated capacity-R.C. (E_{max}) | 50, 100, 150, 200, 250, 300, 500, 635 | | kg |
| NTEP/OIML Accuracy class | Non-Approved | C3* | |
| Maximum no. of intervals (n) | 1000 | 3000 | |
| $Y = E_{max}/V_{min}$ | 2000 | 15000 | Maximum available |
| Rated output-R.O. | 2.0 | | mV/V |
| Rated output tolerance | 0.2 | | ±mV/V |
| Zero balance | 0.2 | | ±mV/V |
| Zero Return, 30 min. | 0.050 | 0.0170 | ±% of applied load |
| Total Error | 0.0300 | 0.0200 | ±% of rated output |
| Temperature effect on zero | 0.0100 | 0.0023 | ±% of rated output/°C |
| Temperature effect on output | 0.0030 | 0.0010 | ±% of applied load/°C |
| Eccentric loading error | 0.0050 | 0.0033 | ±% of rated load/cm |
| Temperature range, compensated | -10 to +40 | | °C |
| Temperature range, safe | -20 to +70 | | °C |
| Maximum safe central overload | 150 | | % of R.C. |
| Ultimate central overload | 300 | | % of R.C. |
| Excitation, recommended | 10 | | Vdc or Vac rms |
| Excitation, maximum | 15 | | Vdc or Vac rms |
| Input impedance | 415±15 | | Ohms |
| Output impedance | 350±3 | | Ohms |
| Insulation resistance | >2000 | | Mega-Ohms |
| Cable length | 1.5 | | m |
| Cable type | 4 wire, PVC, single floating screen | | Standard |
| Construction | aluminum | | |
| Environmental protection | IP66 | | |
| Platform size (max) | 600 x 600 | | mm |
| Recommended torque | Up to 300kg: 25.0 Above 300kg: 30.0 | | N*m |

* 50% utilization

Wiring Schematic Diagram





Disclaimer

All product specifications and data are subject to change without notice.

Vishay Intertechnology, Inc., its affiliates, agents, and employees, and all persons acting on its or their behalf (collectively, "Vishay"), disclaim any and all liability for any errors, inaccuracies or incompleteness contained herein or in any other disclosure relating to any product.

Vishay disclaims any and all liability arising out of the use or application of any product described herein or of any information provided herein to the maximum extent permitted by law. The product specifications do not expand or otherwise modify Vishay's terms and conditions of purchase, including but not limited to the warranty expressed therein, which apply to these products.

No license, express or implied, by estoppel or otherwise, to any intellectual property rights is granted by this document or by any conduct of Vishay.

The products shown herein are not designed for use in medical, life-saving, or life-sustaining applications unless otherwise expressly indicated. Customers using or selling Vishay products not expressly indicated for use in such applications do so entirely at their own risk and agree to fully indemnify Vishay for any damages arising or resulting from such use or sale. Please contact authorized Vishay personnel to obtain written terms and conditions regarding products designed for such applications.

Product names and markings noted herein may be trademarks of their respective owners.