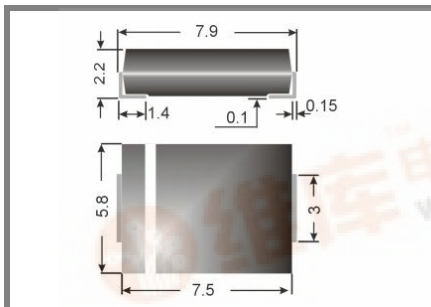


US 3A ... US 3M



Surface mount diode

Ultrafast silicon rectifier diodes

US 3A...US 3M

Forward Current: 3 A

Reverse Voltage: 50 to 1000 V

Features

- Max. solder temperature: 260°C
- Plastic material has UL classification 94V-0

Mechanical Data

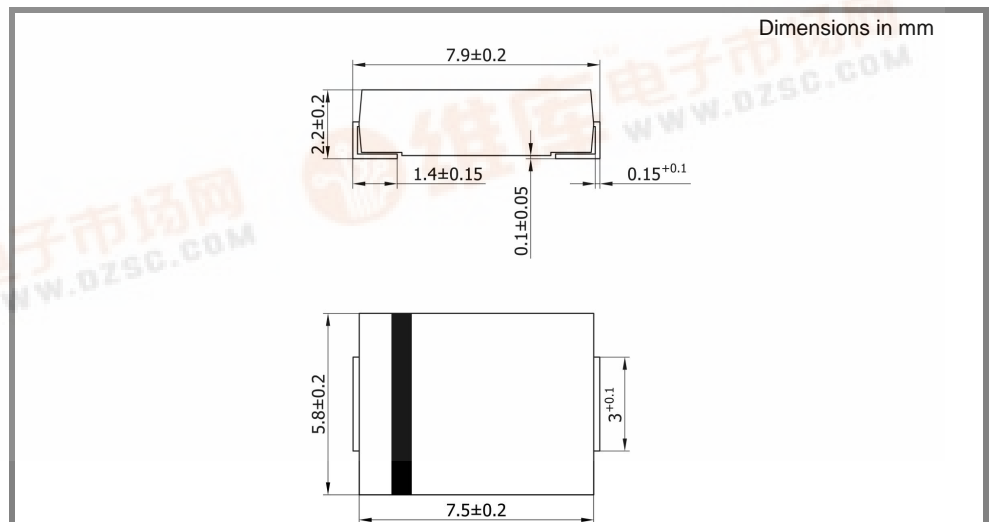
- Plastic case: SMC / DO214AB
- Weight approx.: 0,12 g
- Terminals: plated terminals solderable per MIL-STD-750
- Mounting position: any
- Standard packaging: 3000 pieces per reel

- 1) Max. temperature of the terminals $T_T = 100^\circ\text{C}$
- 2) $I_F = 3\text{ A}$, $T_j = 25^\circ\text{C}$
- 3) $T_A = 25^\circ\text{C}$
- 4) Mounted on P.C. board with 50 mm² copper pads at each terminal

Type	Polarity color band	Repetitive peak reverse voltage V_{RRM} V	Surge peak reverse voltage V_{RSM} V	Maximum forward voltage $T_j = 25^\circ\text{C}$ $I_F = 3\text{ A}$ $V_F^{2)}$ V	Maximum reverse recovery time $I_F = 0,5\text{ A}$ $I_R = 1\text{ A}$ $I_{RR} = 0,25\text{ A}$ t_{rr} ns
US 3A	-	50	50	1	50
US 3B	-	100	100	1	50
US 3D	-	200	200	1	50
US 3G	-	400	400	1,25	50
US 3J	-	600	600	1,7	75
US 3K	-	800	800	1,7	75
US 3M	-	1000	1000	1,7	75

Absolute Maximum Ratings		$T_c = 25^\circ\text{C}$, unless otherwise specified	
Symbol	Conditions	Values	Units
I_{FAV}	Max. averaged fwd. current, R-load, $T_T = 100^\circ\text{C}$	3	A
I_{FRM}	Repetitive peak forward current $f > 15\text{ Hz}^1)$	15	A
I_{FSM}	Peak fwd. surge current 50 Hz half sinus-wave ³⁾	100	A
I^2t	Rating for fusing, $t < 10\text{ ms}^3)$	50	A ² s
R_{thA}	Max. thermal resistance junction to ambient ⁴⁾	50	K/W
R_{thT}	Max. thermal resistance junction to terminals	10	K/W
T_j	Operating junction temperature	-50...+150	°C
T_s	Storage temperature	-50...+150	°C

Characteristics		$T_c = 25^\circ\text{C}$, unless otherwise specified	
Symbol	Conditions	Values	Units
I_R	Maximum leakage current, $T_j = 25^\circ\text{C}$; $V_R = V_{RRM}$ $T_j = 100^\circ\text{C}$; $V_R = V_{RRM}$	<10 <300	μA μA
C_j	Typical junction capacitance (at MHz and applied reverse voltage of V)	-	pF
Q_{rr}	Reverse recovery charge ($U_R = V$; $I_F = A$; $dI_F/dt = A/ms$)	-	μC
E_{RSM}	Non repetitive peak reverse avalanche energy ($I_R = mA$; $T_j = ^\circ\text{C}$; inductive load switched off)	-	mJ



case: SMC / DO214AB



US 3A ... US 3M

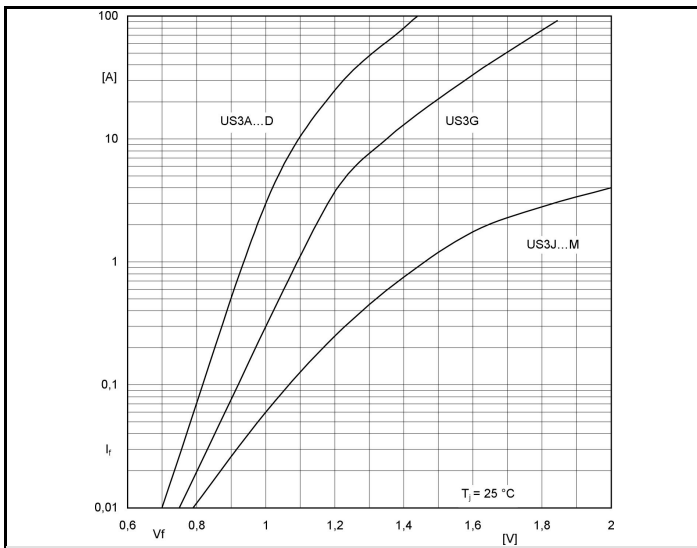


Fig. 1 Forward characteristic (typical values)

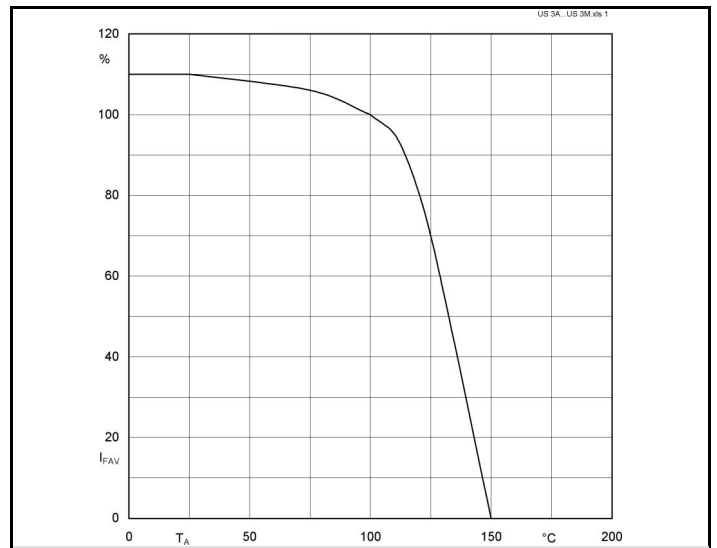


Fig. 2 Rated forward current vs. temp. of the terminals

Copyright © Each Manufacturing Company.

All Datasheets cannot be modified without permission.

This datasheet has been download from :

www.AllDataSheet.com

100% Free DataSheet Search Site.

Free Download.

No Register.

Fast Search System.

www.AllDataSheet.com