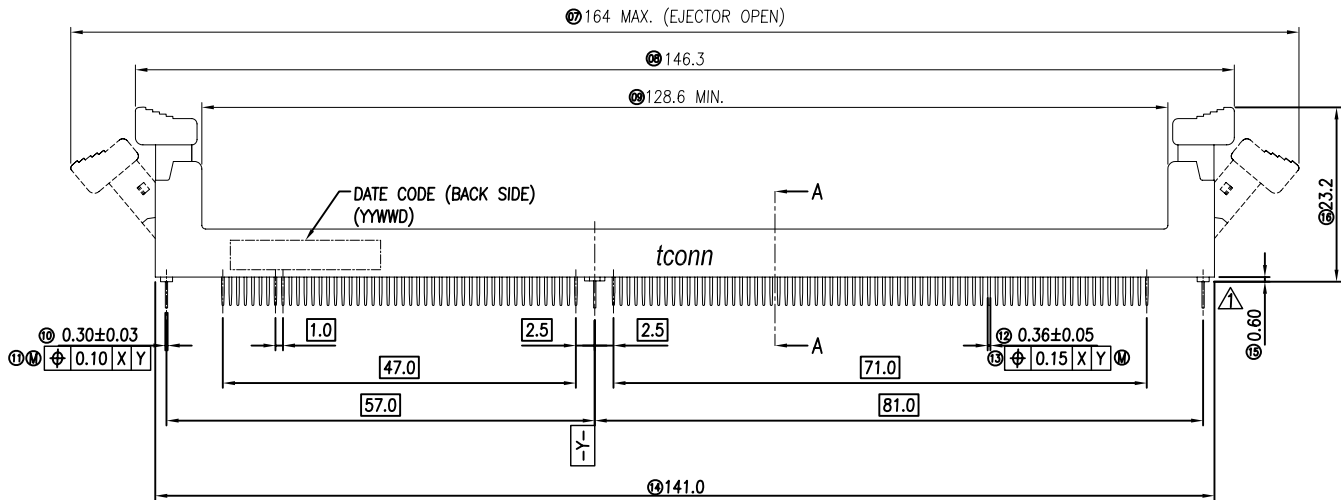


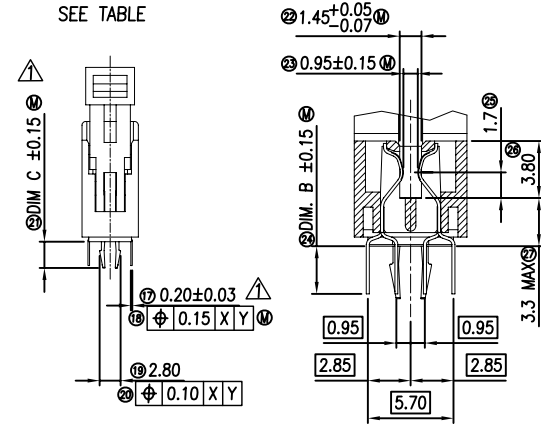
TABLE			
CUSTOMER PART NO.	KEMAX PART NO.	DIM. B	DIM. C
T99-0011-5A10-0	90404-XX 1 X X	2.67	3.5



NOTES:

1. MATERIAL:
 - 1.1 HOUSING: NY66 (NYTEX MG-0034N W3), UL94V-0, COLOR: SEE PART NO.
 - 1.2 EJECTOR: NY66 (NYTEX MG-0034N W3), UL94V-0; COLOR: SEE PART NO.
 - 1.3 CONTACTS: BRASS, C2680-EH, t=0.2mm.
 - 1.4 BOARDLOCKS: BRASS, C2680-H, t=0.3mm.
2. FINISH:
 - 2.1 CONTACT:
 - GOLD PLATING (SEE PART NO.) ON CONTACT AREA.
 - 100u" MIN. MATTE-TIN PLATING ON SOLDERING AREA.
 - 50u" MIN. NICKEL UNDERPLATING OVERALL.
 - 2.2 BOARDLOCK:
 - 100u" MIN. MATTE-TIN PLATING ALL OVER.
 - 50u" MIN. NICKEL UNDERPLATING OVERALL.
3. "M" SHOWS QIP MEASUREMENT POINT.
4. "W" SHOWS FAI MEASUREMENT POINT.
5. DATE CODE: YYMMDD
 YY: YEAR (12: 2012)
 WW: WEEK (25: THE 25TH WEEK)
 D: (1~7: SUNDAY~SATURDAY)
6. PART NO.: 90404 - XX X X X

- | | |
|---|-----------------|
| CONTACT AREA PLATING | LATCH COLOR |
| 01: 1u" GOLD | 1: BLACK |
| 10: 10u" GOLD | 2: NATURAL |
| 15: 15u" GOLD | 3: BLUE(293C) |
| 30: 30u" GOLD | 4: BLUE(661C) |
| SOLDERTAIL & BOARDLOCK LENGTH SEE TABLE | 5: ORANGE(021C) |
| | HOUSING COLOR |
| | 1: BLACK |
| | 2: NATURAL |
| | 3: BLUE(293C) |
| | 4: BLUE(661C) |
| | 5: ORANGE(021C) |



SECTION A-A
SCALE 2 : 1

				TOLERANCE		Wise-State Technology		TITLE: DDR 3, VERTICAL 240P MEMORY SOCKET FOR TCONN				
				LINEAR	ANGLES			PART NO. 90404-XXXXX				
1		Schumi	July,12,2012	.X±0.20	.X'±	APPD:	Jason	MAT'L:	DWG NO. P-90404			
0	---	Schumi	Jun,21,2012	.XX±0.15	.XX'±	CHKD:	Schumi	FINISH:	UNITS SCALE SHEET REV			
REV	ECN NO.	NAME	DATE	.XXX±0.08	.XXX'±	DRWN:	Schumi	Q'TY:	MM	1 : 1	1 OF 1	1