

# TGS 5342 - for the detection of Carbon Monoxide

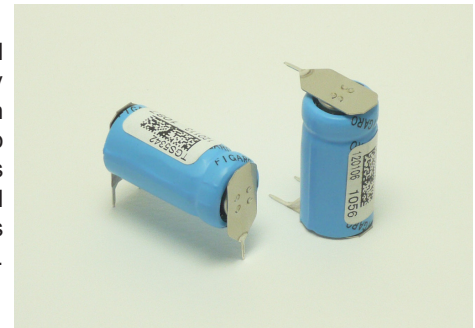
### Features:

- \* Battery operable
- \* Compact size
- \* High repeatability/selectivity to CO
- \* Linear relationship between CO gas concentration and sensor output
- \* Simple calibration
- \* Long life
- \* UL recognized component
- \* Meets UL2034, EN50291, and RoHS requirements

### Applications:

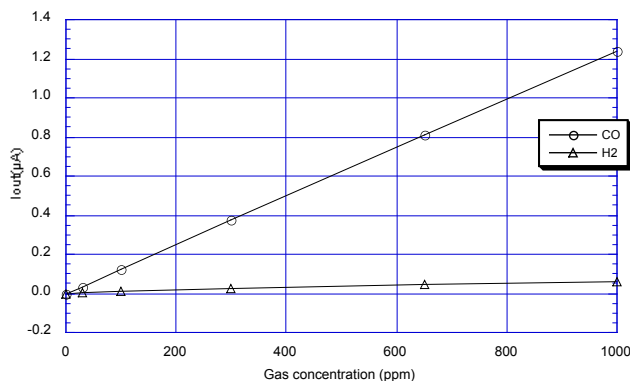
- \* Residential and commercial CO detectors
- \* CO monitors for industrial applications
- \* Ventilation control for indoor parking garages
- \* Recreational vehicle CO detectors
- \* Marine CO detectors
- \* Fire detection

Figaro's **TGS5342** is a battery operable electrochemical sensor which offer several advantages over traditional electrochemical sensors. Its electrolyte is environmentally friendly, it poses no risk of electrolyte leakage, can detect concentrations as high as 1% CO, operates in a range from -40° and +70°C, and it has lower sensitivity to interferant gases. With a long life, good long term stability, and high accuracy, this sensor is the ideal choice for CO detectors with digital display. OEM customers will find individual sensors data printed on each sensor in bar code from, enabling users to skip the costly gas calibration process and allowing for individual sensor tracking. The length of TGS5342 is 60% of the TGS5042.



The figure below represents typical sensitivity characteristics, all data having been gathered at standard test conditions (see reverse side of this sheet). The Y-axis shows the output current of the sensor ( $I_{out}/\mu A$ ) in each gas. Output current is linear to CO concentration, with a deviation of less than  $\pm 5\%$  in the range of 0~500ppm.

### Sensitivity Characteristics:

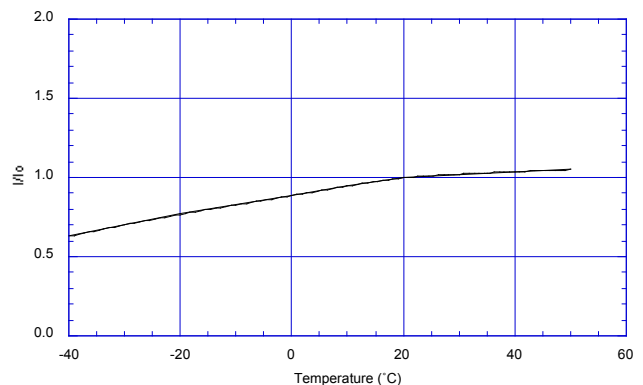


The figure below represents typical temperature dependency characteristics. The Y-axis shows the sensor output ratio ( $I/I_0$ ) as defined below. The linear relationship between  $I/I_0$  and CO concentration is constant regardless of the CO concentration range.

$I$  = Sensor output current in 400ppm of CO at various temperatures

$I_0$  = Sensor output current in 400ppm at 20°C/50%RH

### Temperature Dependency:



**IMPORTANT NOTE:** OPERATING CONDITIONS IN WHICH FIGARO SENSORS ARE USED WILL VARY WITH EACH CUSTOMER'S SPECIFIC APPLICATIONS. FIGARO STRONGLY RECOMMENDS CONSULTING OUR TECHNICAL STAFF BEFORE DEPLOYING FIGARO SENSORS IN YOUR APPLICATION AND, IN PARTICULAR, WHEN CUSTOMER'S TARGET GASES ARE NOT LISTED HEREIN. FIGARO CANNOT ASSUME ANY RESPONSIBILITY FOR ANY USE OF ITS SENSORS IN A PRODUCT OR APPLICATION FOR WHICH SENSOR HAS NOT BEEN SPECIFICALLY TESTED BY FIGARO.

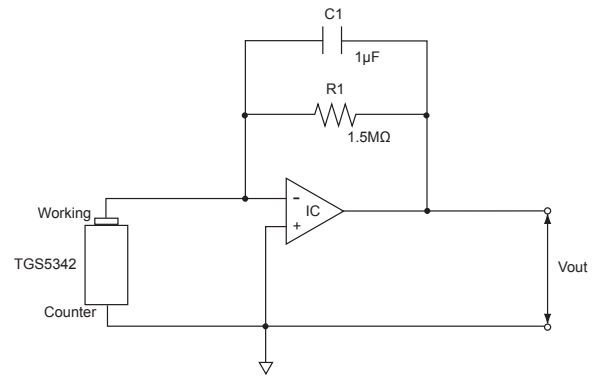
### Basic Measuring Circuit:

The diagram at the right shows the basic measuring circuit of TGS5342. The sensor generates a minute electric current which is converted into sensor output voltage ( $V_{out}$ ) by an op-amp/resistor ( $R_1$ ) combination.

Figaro recommends the following electrical parts:

- R1 : 1.5M $\Omega$
- C1 : 1 $\mu$ F
- IC : AD708

**NOTE:** When voltage is applied to the sensor output terminal, the sensor may be damaged. Voltage applied to the sensor should be strictly limited to less than  $\pm 10$ mV. An additional resistor or FET is required to prevent polarization of the sensor when  $V_c$  is off.



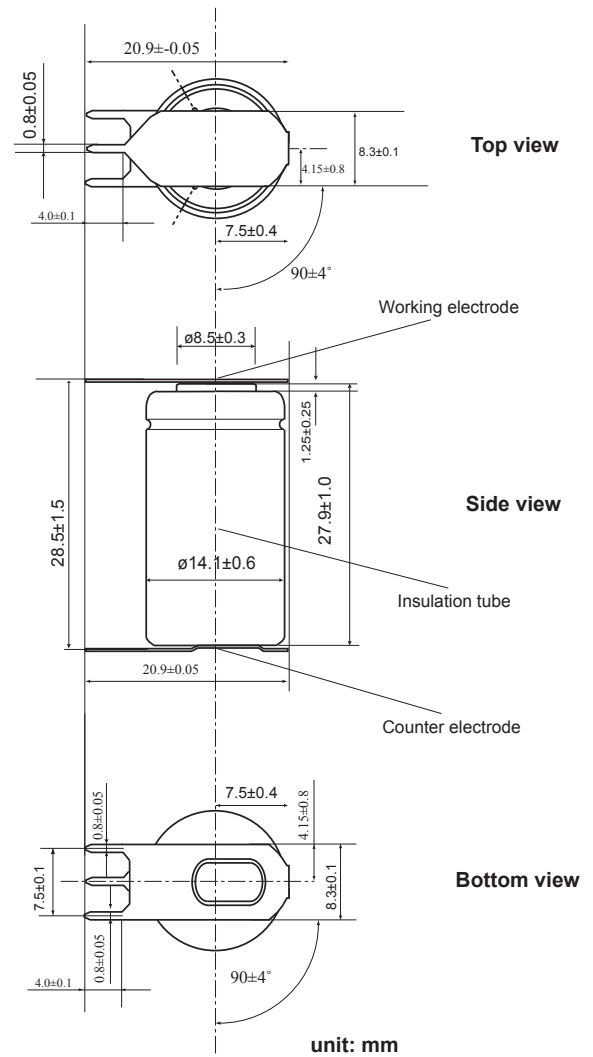
**Basic measuring circuit of TGS5342**

### Specifications:

Item	Specification
Model number	TGS5342
Target gases	Carbon monoxide
Typical detection range	0 ~ 10,000ppm
Output current in CO	0.7~1.4nA/ppm
Baseline offset	< $\pm 10$ ppm equivalent
Operating temperature	-10°C ~ +60°C (continuous) -40°C ~ +70°C (intermittent)
Operating humidity	5 ~ 99%RH (no condensation)
Response time (T90)	within 30 seconds
Storage conditions	-10°C ~ +60°C (continuous) -40°C ~ +70°C (intermittent)
Weight	approx. 7g
Standard test conditions	20 $\pm$ 2°C, 40 $\pm$ 10%RH

(\*) represents sensor output in air under operating conditions

### Structure and Dimensions:



T : 1807 0430-980郑  
S : zheng\_xinghui@163.com