

中空旋轉平台 減速器NT系列

Hollow and Rotary Platform for a Gear Reducer



NT 系列 NT series

特長 Feature

1. 直接連結：簡易設計提升信賴性
Direct attachment with simple and reliable design.
2. 大口徑中空旋轉平台：簡潔的配線及配管
Large hollow rotary table for concise wiring and piping.
3. 定位精準高
Accurate and fast positioning. Able to quickly position inertial load.
4. 短時間定位：可在短時間內實現貫性負載的定位
Repeat origin returns easily. Save you the trouble of designing and perchance new parts.
5. 簡單原點回歸：省卻設計與零件採購的麻煩
Zero Return Easily：Not Troubled about Designing and Purchasing the Parts.

規格 Specification

說明Description / 型號Models	NT60	NT85	NT130	NT230	NTP200
連續出力轉矩 Continuous Torque (kgf*m/Nm)	0.07/0.72	0.11/1.078	1.4/13.72	3.7/36.2	3/29.4
最大出力軸矩 Max. Torque (kgf*m/Nm)	0.21/2.1	0.33/3.234	4.3/42.14	11.2/109.7	6/58.8
破壞轉矩值 Breaking point (kgf*m/Nm)	0.63/6.7	0.9/8.82	10.7/104.86	22.4/219.5	12/117.6
許用輸入轉速(r/min) Permissible Input Rotation (rpm)	3000	3000	3000	3000	3000
背隙(min-arc) Backlash (min-arc)	5	±15sec	±15sec	±15sec	±15sec
慣性矩(單一速比)(kg*cm ²) Gear Reducer Inertia	0.05	0.02	0.2	2.3	0.43
許用徑向最大荷量(kgf) Max. Load (kgf)	30	50	200	835	625
重量 Weight (kg)	0.6	1.9	5.2	13.2	10.6

NT60減速比1:10 (NT60 Series Reduction Ratio 1:10)

NT85減速比1:30 (NT85 Series Reduction Ratio 1:30)

NT130減速比1:10 (NT130 Series Reduction Ratio 1:10)

NT230減速比1:10 (NT230 Series Reduction Ratio 1:10)

NTP200減速比1:7 (NTP200 Series Reduction Ratio 1:7)

註 NT85出力軸螺絲長度請勿超過9.5mm

The depth of screw with in 9.5mm in NT85

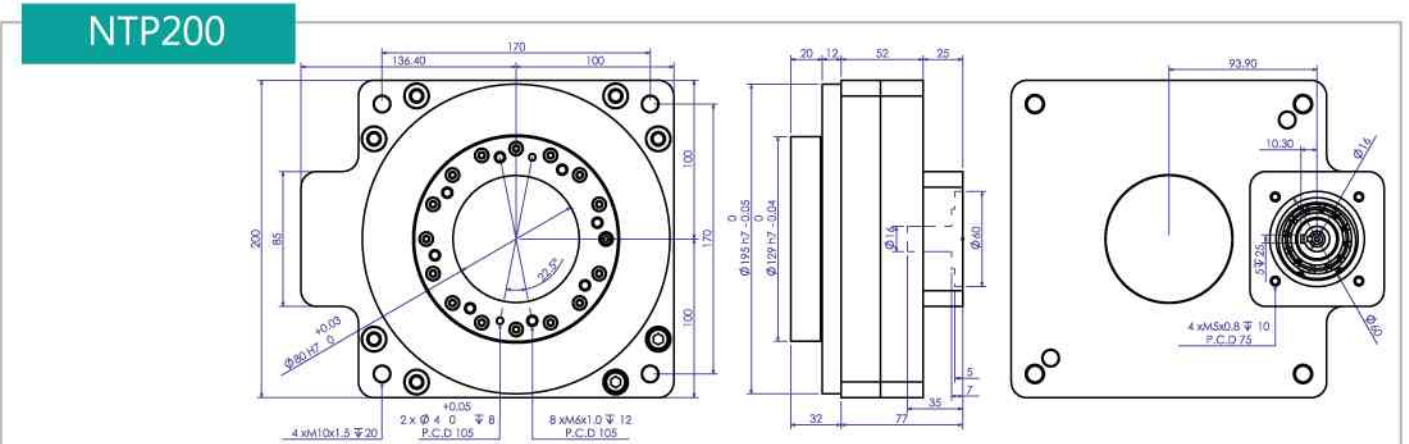
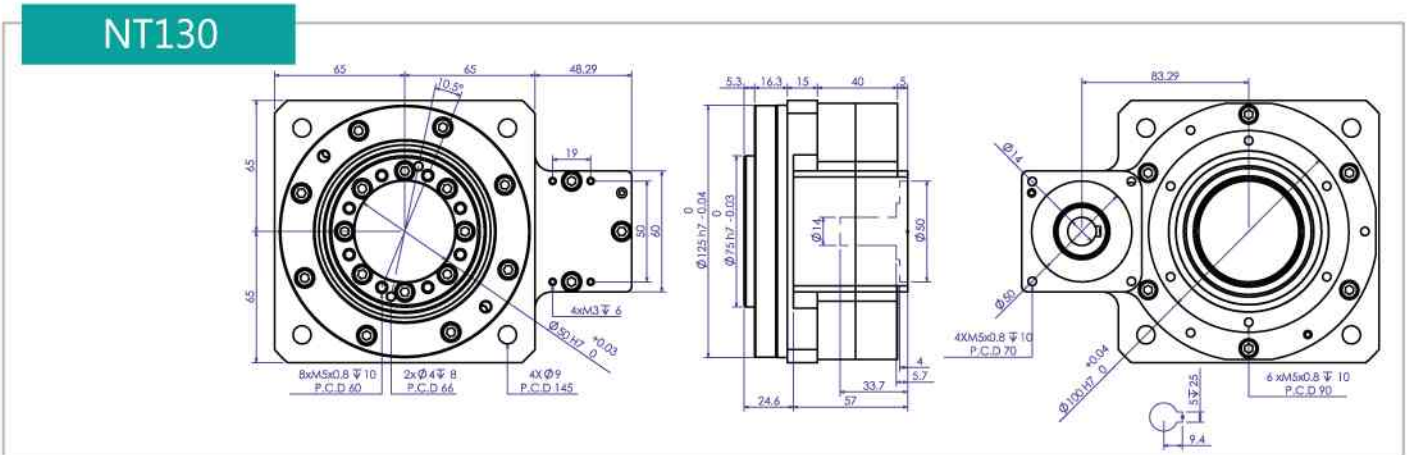
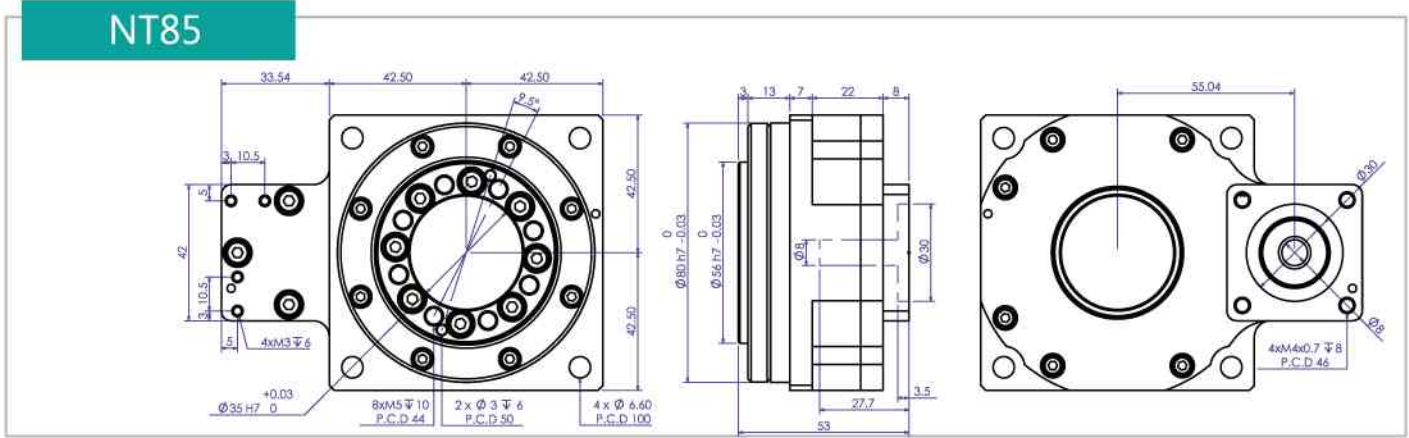
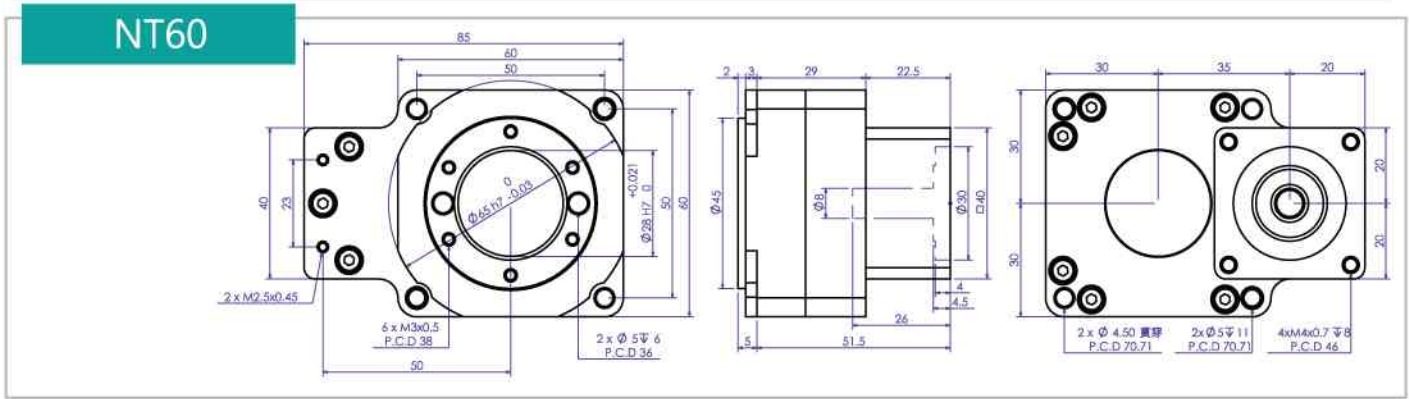
減速機的安裝：減速機本體是一個非常精密的產品，所以在安裝上必須小心，嚴禁碰撞或是以鐵鎚敲打軸心或是任一部位。

Installation of gear box: The gearbox is a high precision product, hence it must be careful in installation, and forbid knocking at the shaft and any part of the gearbox.

伺服電機：在訂貨時應告知工廠，伺服電機所需銜接法蘭及軸的尺寸。

Servomotor: Please advise the all dimensions of the pilot and output shaft when you make an order.

尺寸圖 Profile Dimensions



中空旋轉平台減速機
Hollow and Rotary Platform for a Gear Reducer

本公司保有尺寸變更權利，並不另行通知，訂貨前請再度確認。

Dimension can be modified without notice for improvement of products so please Contact us before you order.