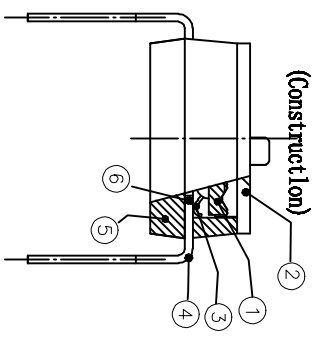
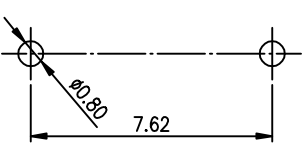
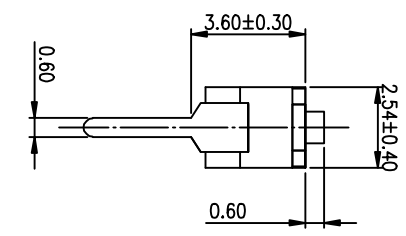
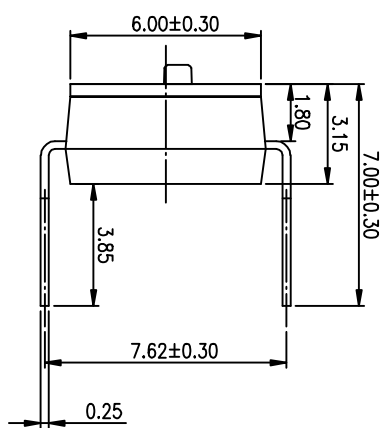
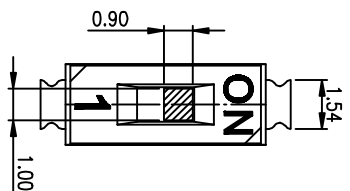


PRODUCT NO.	DISC01LHGET
RoHS compliant	

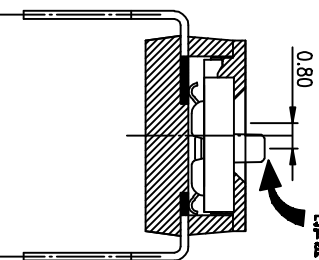


RECOMMENDED P.C.B. LAYOUT (TOP VIEW)

[Schematic]



[排板行程]



- NOTES :
1. Specification:
- 1> Operating force: 1000gf Max
 - 2> Operating Temperature: -40° to+85°
 - 3> Storage Temperature: -40° to+85°
 - 4> Mechanical Life: 3000cycles minimum
 - 5> Electrical Life: 2000cycles 25mA 24VDC
2. PLATING:
- GOLD FLASH 1u"(min.) SOLDER TAIL,
3u" GOLD PLATING ON THE CONTACT AREA,
WITH 50u" NICKEL UNDERPLATING OVERALL.

3. PART NUMBER DESCRIPTION

- DISC XX I S G E T
- [包装方式: T=管装 R=盒装]
 - [电镀层: B=镀锡3u" G=镀镍3u" / 厚镀层: 2u"]
 - [G=镀合金 S=内金少镀]
 - [材质: S=铜 / J=铜 / 铝 / A=铜 / Z=铜]
 - [T=低接触度 S=低接触度 L=长推]
 - [产品号: 01=1P 02=2P 03=3P 12=12P]

Number	Part Name	Material	Finished
①	Actuator	UL94 V0	White
②	Cover	UL94 V0	Black
③	Movable	Copper Alloy	3u"Gold
④	Terminal	Brass	1u"Gold
⑤	Base	UL94 V0	Black
⑥	Terminal Contact	Brass	3u"Gold

TOLERANCE UNLESS OTHERWISE SPECIFIED		INSPECTION	
LINER	ANGLES	COPY	PROJECTION
0 ± 0.25	0. ± 2'		
.00 ± 0.15	.0 ± 1'		
.000± 0.10	.00± 0.5'		
DESIGN	kathy	2012/04/12	
DRAWING			
CHECK			
APPRO.			

东莞市金峰实业有限公司
Dongguan Kingtek Industrial Co., Ltd.

FILE NO.	DISC01LHGET-A
SIZE	UNIT SCALE SHEET REV.
A4	mm 2 : 1 1OF 1 A