

## High Power Factor Flyback PWM Controller

**FEATURES**

- ◆ Built-in Soft Start
- ◆ Very Low Startup Current
- ◆ Under Voltage Lockout with 7.7V Hysteresis
- ◆ VCC Over Voltage Protection (OVP)
- ◆ Clear External EA Feedback Network before Power On
- ◆ Transition Mode (TM) Operation
- ◆ Highly Linear Analog Multiplier
- ◆ Proprietary “Frequency Adjusting” for Higher PF and Low THD
- ◆ 3.3us Min. OFF Time
- ◆ 270KHz Max Frequency Clamp
- ◆ Trimmed 1.5% Internal Voltage Reference
- ◆ Restart Timer for Stand-alone Applications
- ◆ Cycle-by-Cycle Current Limiting
- ◆ Built-in Leading Edge Blanking (LEB)
- ◆ Audio Noise Free Operation
- ◆ 10V to 32V Wide Range of VCC Voltage
- ◆ 800mA Drive Capability

**APPLICATIONS**

- ◆ LED Lighting Application
- ◆ Single Stage High PF Flyback AC/DC SMPS

**GENERAL DESCRIPTION**

SFL320 is a high power factor flyback PWM controller special for LED lighting applications. The IC adopts transition mode (TM) operation for high efficiency and low EMI.

SFL320 will **Clear External EA Feedback Network** before IC power on. The IC also has **Soft Start** control to soften the stress on the MOSFET during power on period.

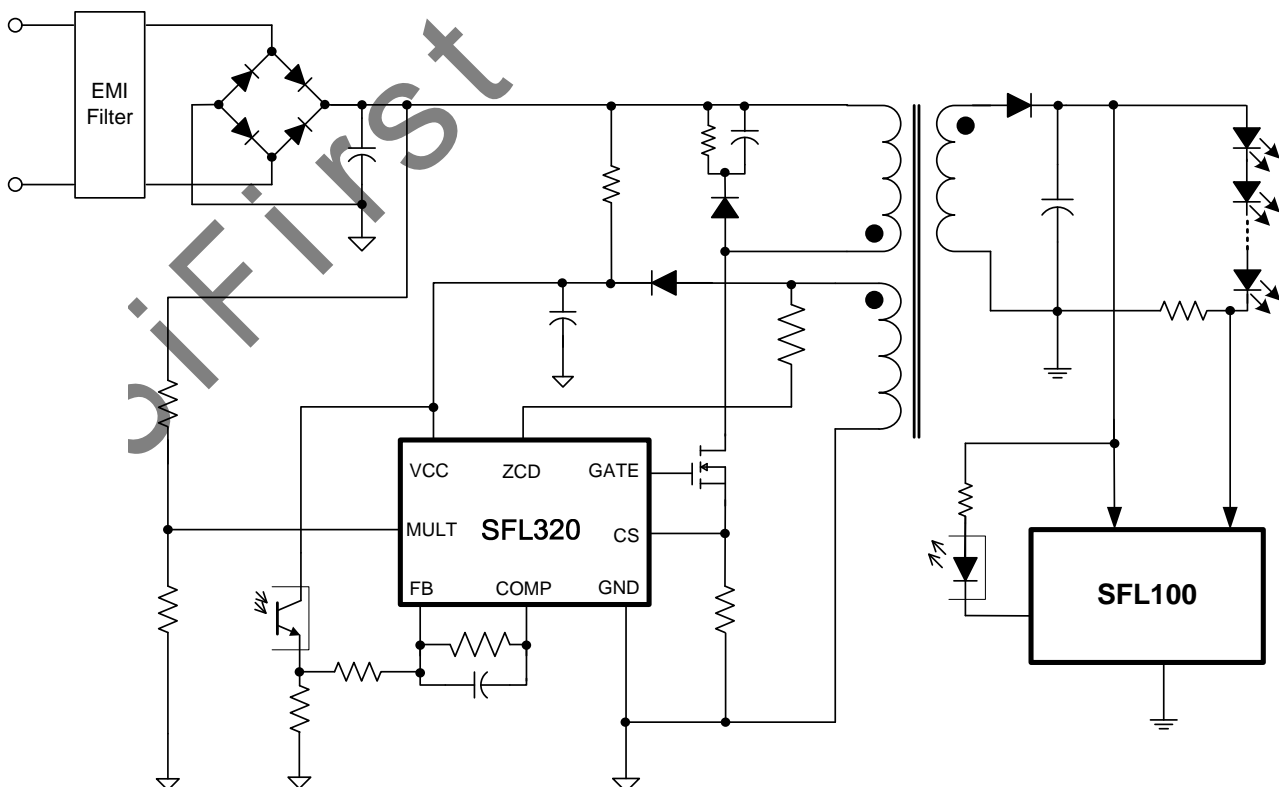
In SFL320, a highly linear analog multiplier is integrated to achieve low THD and high power factor. The zero current detector (ZCD) ensures TM operation. A restart timer is for stand alone applications. The IC also has the function of **Min. OFF time** and **Max. Frequency Clamp** to limits power MOS Vds spike when LED output is short.

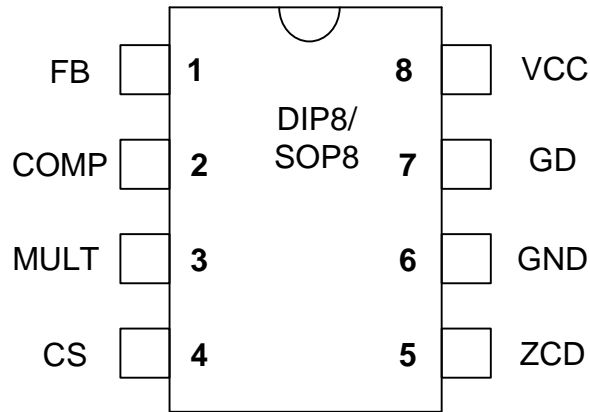
In SFL320, the proprietary “**Frequency Adjusting**” can help to improve THD performance, while ensures audio noise free operation. A **VCC Over Voltage Protection (VCC OVP)** is integrated to improve system reliability.

SFL320 integrates functions and protections of Under Voltage Lockout (UVLO), VCC Over Voltage Protection (OVP), Soft Start Control, Cycle-by-cycle Current Limiting (OCP), GD Clamping, VCC Clamping, Leading Edge Blanking (LEB), etc.

In SFL320, VCC OVP is auto-recovery mode protection.

SFL320 is available in SOP-8 and DIP-8 packages.

**TYPICAL APPLICATION**


**Pin Configuration**

**Ordering Information**

Part Number	Top Mark	Package		Tape & Reel
SFL320SG	SFL320SG	SOP8	Green	
SFL320SGT	SFL320SG	SOP8	Green	Yes
SFL320DP	SFL320DP	DIP8	RoHS	

**Marking Information**
