



产品特点/Introduction:

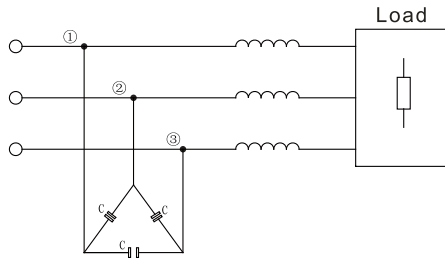
- * 铝圆外壳封装，干式环氧树脂灌注；
- * 铜螺母/螺杆引出，塑料定位盖绝缘，安装简单方便；
- * 容量大，体积小；
- * 耐压高，具有自愈性；
- * 高纹波电流，高dv/dt承受能力。
- * Aluminum round housing package, Sealed with epoxy resin;
- * Copper nut / screw leads, insulated plastic cover positioning, easy installation;
- * Large capacity, small size;
- * Resistance to high voltage, with self-healing;
- * High ripple current, high dv /dt withstand capability.



应用/Application:

- * 广泛应用于电力电子设备中作交流滤波用。
- * 在大功率UPS，开关电源，变频器等设备中作交流滤波，治理谐波及提高功率因数。
- * Widely used in power electronic equipment used for the AC filter;
- * In the high-power UPS, switching power supply, inverter and other equipment for the AC filter, harmonics and improve power factor control.

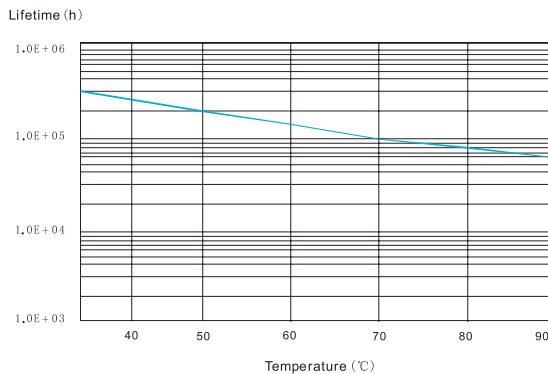
典型线路图/Typical circuit



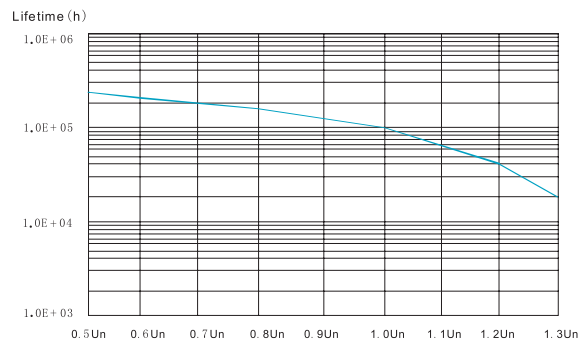
AC Filter Capacitance (C)

过电压	1.1Un(30% of on-load-dur)
Over Voltage	1.15Un(30min/day)
	1.2Un(5min/day)
	1.3Un(1min/day)
	1.5Un(100ms every time,1000times during the lifetime)

温度降额曲线 (Lifetime Expectancy)



电压降额曲线 (Lifetime Expectancy of charge voltage)

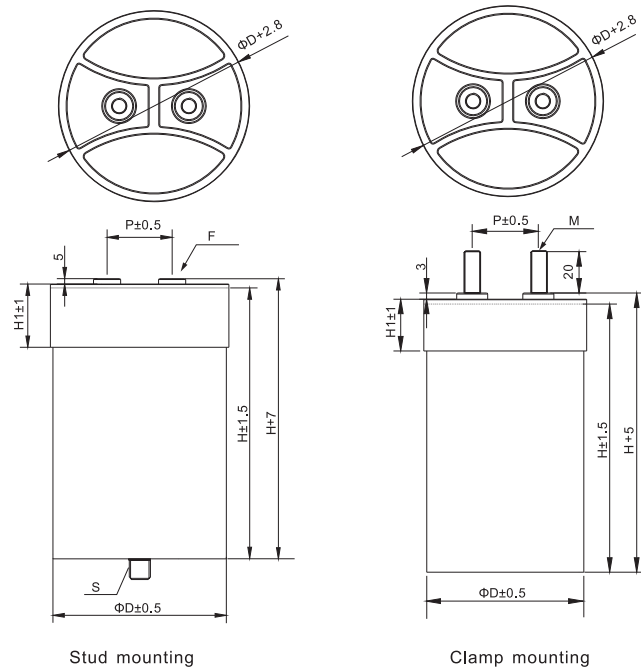




性能参数/Technical data

工作温度范围/Operating temperature range		Max. Operating temperature, Top max: + 85 °C Upper category temperature: +70 °C Lower category temperature: -40 °C
容量范围/capacitance range	单相 single phase	20~500μF
	三相 three phase	3×40~3×200μF
额定电压 Un/ Rated voltage Un		400V.AC/50Hz~1140V.AC/50Hz
容量偏差/Cap.tol		±5%(J)
耐电压/Withstand voltage	Vt-t	2.15Un/10S
	Vt-c	1000+2×Un 60S(min3000V.AC)
损耗角正切/Dissipation factor		tgδ≤0.002 f=100Hz 介质损耗 tgδ ₀ ≤0.0002
绝缘电阻/Insulation resistance		R _s × C ≥ 10000S (at 20 °C 100V.DC 60S)
耐脉冲电流冲击/Withstand strike current		见表
有效电流/Irms		见表
阻燃性/Flame retardation		UL94V-0
引用标准/Reference standard		IEC 61071; IEC 60831

单相交流电容外形图:
single-phase AC Capacitor



ΦD(mm)	P(mm)	H1(MM)	S	F	M
76	32	30	M12×16	M6×10	M8×20
86	32	30	M12×16	M6×10	M8×20
96	45	35	M12×16	M6×10	M8×20
116	50	40	M12×16	M6×10	M8×20
136	50	40	M16×25	M6×10	M8×20



Ordering code:

1270050051□-□□

mounting: C for clamp; S for stud mounting
 Lead type: F for thread; M for screw
 Cap.tol: 1(5%)/2(10%)

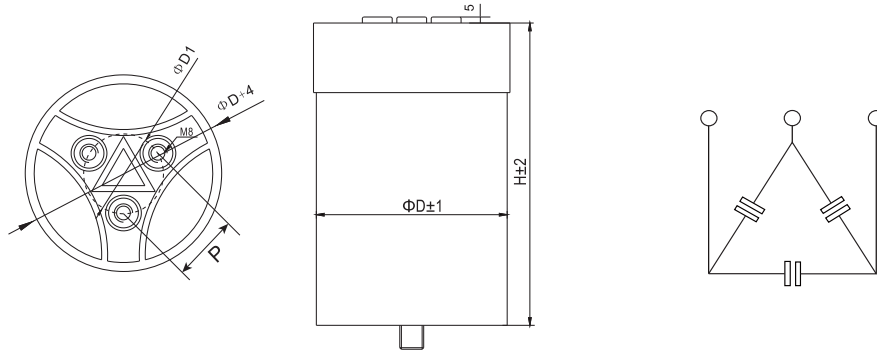
Specifications

C _n (μF)	Part number	φD (mm)	H (mm)	ESL (nH)	dv/dt (V/μS)	I _p (kA)	I _s (kA)	I _{rms} (A)	ESR (mΩ)	R _{th} (K/W)	P (mm)	weight (Kg)
Un=400V.AC Us=1200V												
80	80600400511--□□	76	80	40	80	6.4	19.2	30	4	4.2	32	0.5
120	12700400511--□□	86	80	40	70	8.4	25.2	40	2.8	3.3	32	0.7
150	15700400511--□□	96	80	45	70	10.5	31.5	50	3.5	1.7	45	0.75
170	17700400511--□□	76	130	50	60	10.2	30.6	60	3.2	1.3	32	0.75
230	23700400511--□□	86	130	50	60	13.8	41.4	70	2.4	1.3	32	1.1
300	30000400511--□□	96	130	50	50	15.0	45.0	75	2.8	1.0	45	1.2
420	42700400511--□□	116	130	60	50	21.0	63.0	80	1.9	1.2	50	1.6
Un=500V.AC Us=1520V												
50	50600500511--□□	76	80	40	90	4.5	13.5	30	4	4.2	32	0.5
65	65600500511--□□	86	80	50	80	5.2	15.6	40	2.8	3.3	32	0.7
80	80600500511--□□	96	80	45	80	6.4	19.2	50	3.5	1.7	45	0.75
100	10700500511--□□	76	130	50	70	7.0	21.0	60	3.2	1.3	32	0.75
130	13700500511--□□	86	130	45	60	7.8	23.4	70	2.4	1.3	32	1.1
160	16700500511--□□	96	130	50	50	8.0	24.0	75	2.8	1.0	45	1.2
250	25700500511--□□	116	130	60	50	12.5	37.5	80	1.9	1.2	50	1.6
Un=690V.AC Us=2100V												
40	40600690511--□□	76	130	50	100	4.0	12.0	30	2.8	6.0	32	0.75
50	50600690511--□□	76	150	45	90	4.5	13.5	35	2.4	5.1	32	0.85
60	60600690511--□□	86	130	45	80	4.8	14.4	40	2.2	4.3	32	1.1
65	65600690511--□□	86	150	50	80	5.2	15.6	45	1.8	4.1	32	1.2
75	75600690511--□□	96	130	50	80	6.0	18.0	50	1.5	4.0	45	1.2
80	80600690511--□□	96	150	55	75	6.0	18.0	60	1.2	3.5	45	1.3
110	11700690511--□□	116	130	60	70	7.7	23.1	65	0.8	4.4	50	1.6
120	12700690511--□□	116	150	65	50	6.0	18.0	75	0.6	4.4	50	1.8
Un=950V.AC Us=2850V												
25	25600950511--□□	76	130	50	110	2.8	8.3	35	1.5	8.2	32	0.75
30	30600950511--□□	76	150	60	100	3.0	9.0	40	1.2	7.8	32	0.85
32	32600950511--□□	86	130	45	100	3.2	9.6	50	1.15	5.2	32	1.1
45	45600950511--□□	86	150	50	90	4.1	12.2	50	1.05	5.7	32	1.2
40	40600950511--□□	96	130	50	90	3.6	10.8	50	1	6.0	45	1.2
60	60600950511--□□	96	150	60	85	5.1	15.3	60	0.9	4.6	45	1.3
60	60600950511--□□	116	130	60	80	4.8	14.4	65	0.85	4.2	50	1.6
90	90600950511--□□	116	150	65	75	6.8	20.3	75	0.8	3.3	50	1.8



三相交流电容外形图:
three phase AC Capacitor

内部接线图/connection



ΦD(mm)	P(mm)	H1(MM)	S	F	M	D1	P
116	50	40	M12×16	M6×10	M8×20	50	43.5
136	50	40	M16×25	M6×10	M8×20	60	52

Specifications

Cn (μF)	φD (mm)	H (mm)	ESL (nH)	I _p (KA)	I _s (KA)	I _{rms} (A)	ESR (mΩ)	R _{th} (K/W)	weight (Kg)
Un=400V.AC Us=1200V									
3×110	116	130	100	6.6	19.8	3×50	3×1.8	4.5	1.6
3×145	116	180	110	7.3	21.8	3×60	3×1.75	3.8	2.4
3×175	116	210	120	8.8	26.3	3×75	3×1.75	3.5	2.7
3×200	136	230	125	8.0	24.0	3×85	3×1.6	2.1	3.9
Un=500V.AC Us=1520V									
3×100	116	180	100	8.0	24.0	3×45	3×1.78	4.5	2.6
3×120	116	230	120	8.4	25.2	3×50	3×1.72	3.8	3
3×125	136	180	110	5.0	15.0	3×70	3×1.67	3.5	3.2
3×135	136	230	130	6.8	20.3	3×80	3×1.6	2.1	3.9
Un=690V.AC Us=2100V									
3×49	116	230	120	3.4	10.3	3×56	3×2.2	2.1	3
3×55.7	136	230	130	5.0	15.0	3×56	3×2.1	2.1	3.9
Un=850V.AC Us=2580V									
3×41.9	116	230	120	3.0	9.0	3×56	3×2.0	2.1	3
3×55.7	136	230	130	0.4	1.2	3×80	3×1.85	1.8	3.9