



产品特点/Introduction:

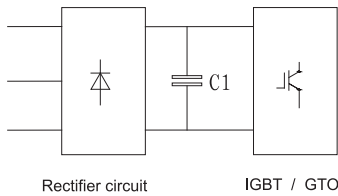
- * 金属外壳封装，干式环氧树脂灌注；
 - * 铜螺母/螺杆引出，安装简单方便；
 - * 容量大，体积小；
 - * 耐压高，具有自愈性；
 - * 高纹波电流，高dv/dt承受能力。
- * Metal package, Sealed with epoxy resin;
 - * Copper nut / screw leads, easy installation;
 - * Large capacity, small size;
 - * Resistance to high voltage, with self-healing;
 - * High ripple current, high dv/dt withstand capability.



应用/Application:

- * 广泛应用于DC-Link电路中，作滤波储能用；
 - * 能替代电解电容，性能更优，寿命更长；
 - * 风能发电，光伏发电用逆变器；各种变频器；电动汽车及混合动力车；SVG，电焊机，电源，感应加热设备等直流母线滤波场合。
- * Widely used in DC-Link circuit for filtering energy storage;
 - * Can replace electrolytic capacitors, better performance and longer life;
 - * Wind power, photovoltaic power inverter; electric vehicles and hybrid vehicles; welding equipment, power supplies SVG, and induction heating equipment, for the DC link filter.

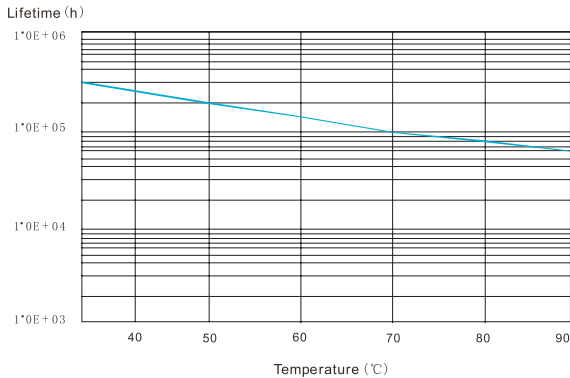
典型线路图/Typical circuit



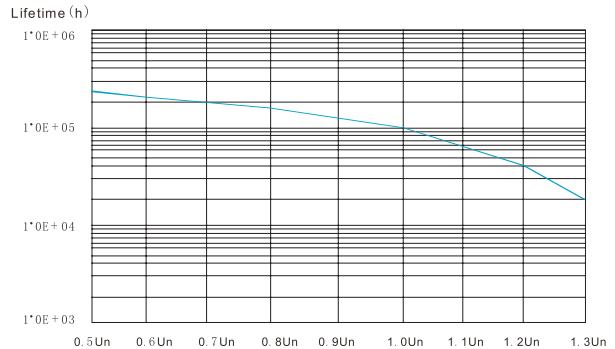
Rectifier circuit IGBT / GTO
DC Link Capacitor (C1)

过电压 Over Voltage	1.1Un(30% of on-load-dur.)	系统调整 System adjustment
	1.15Un(30min/day)	
	1.2Un(5min/day)	
	1.3Un(1min/day)	系统切换 System Switch
	1.5Un(100ms every time,1000times during the lifetime)	

温度降额曲线 (Lifetime Expectancy)



电压降额曲线 (Lifetime Expectancy of charge voltage)

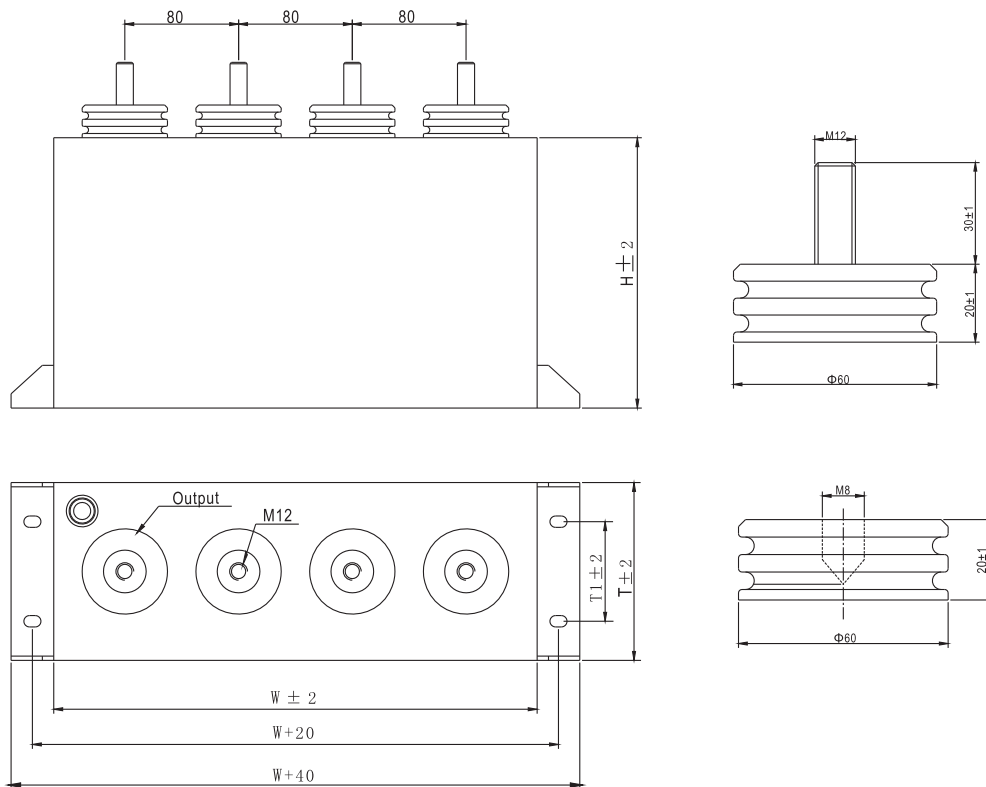




性能参数/Technical data

工作温度范围/Operating temperature range	Max. Operating temperature, Top max: +85°C Upper category temperature: +70°C Lower category temperature: -40°C	
容量范围/capacitance range	1000~20000μF	
额定电压 Un/ Rated voltage Un	800V.DC~3000V.DC	
容量偏差/Cap.tol	±5%(J);±10%(K)	
耐电压/Withstand voltage	Vt-t	1.5UnDC/60S
	Vt-c	1000+2×Un/√2 V.AC 60S(min3000V.AC)
损耗角正切/Dissipation factor	tgδ≤0.003 f=100Hz	
	介质损耗 tgδ ₀ ≤0.0002	
绝缘电阻/Insulation resistance	(内置放电电阻) Measuring	
耐脉冲电流冲击/Withstand strike current	附表	
有效电流/Irms	附表	
杂散电感/ESL	< 150nH	
阻燃性/Flame retardation	UL94V-0	
最高使用海拔高度/Maximum altitude	2000m	
预期寿命/Life expectancy	100000h(Un, Θhotspot ≤70°C)	
引用标准/Reference standard	IEC61071; IEC61881	

外形图/Outline drawing





Specifications

Cn (μF)	outline size(mm)			dv/dt (V/ μS)	Ip (KA)	I _{rms} (A)	ESR (m Ω)	R _{th} (K/W)	weight (Kg)	
	W	T	H							
Un 800V.DC Us 1200V Ur 200V										
4000	340	125	190	5	20.0	120	1.1	0.9	17.6	
5500	340	125	245	5	27.5	150	0.95	0.7	22.4	
8000	340	125	350	4	32.0	180	0.72	0.6	31.2	
10000	340	125	465	3	30.0	200	0.6	0.6	40.8	
6000	420	125	245	5	30.0	150	0.95	0.7	26.4	
10000	420	125	360	4	40.0	200	0.72	0.5	39.2	
16000	420	125	560	3	48.0	250	0.55	0.4	59.2	
12000	420	235	245	4	48.0	250	0.9	0.3	49.6	
20000	420	235	360	3	60.0	300	0.6	0.3	73.6	
Un 1200V.DC Us 1800V Ur 300V										
2500	340	125	190	8	20.0	120	1.1	0.9	17.6	
3300	340	125	245	8	26.4	150	0.95	0.7	22.4	
4200	340	125	300	7	29.4	150	0.8	0.8	28	
5000	420	125	300	7	35.0	180	0.8	0.6	32.8	
7500	420	125	430	5.5	41.3	200	0.66	0.6	44.8	
5000	340	235	190	8	40.0	200	1.1	0.3	32.8	
6800	340	235	245	7	47.6	200	0.95	0.4	41.6	
8500	340	235	300	7	59.5	250	0.85	0.3	52	
10000	340	235	350	6	60.0	250	0.8	0.3	58.4	
12000	340	235	420	5.5	66.0	250	0.7	0.3	70.4	
5000	420	235	175	8	40.0	200	1	0.4	36	
7500	420	235	245	7	52.5	250	0.9	0.3	49.6	
10000	420	235	300	7	70.0	250	0.8	0.3	61.6	
12000	420	235	360	6	72.0	280	0.7	0.3	73.6	
15000	420	235	430	5	75.0	300	0.6	0.3	84	
Un 1500V.DC Us 2250V Ur 350V										
1200	340	125	190	10	12.0	120	1.1	0.9	17.6	
2500	340	125	350	8	20.0	180	0.72	0.6	31.2	
3000	340	125	420	8	24.0	180	0.66	0.7	37.6	
2000	420	125	245	10	20.0	150	0.95	0.7	26.4	



Specifications

Cn (μ F)	outline size(mm)			dv/dt (V/ μ S)	Ip (KA)	Irms (A)	ESR (m Ω)	R _{th} (K/W)	weight (Kg)
	W	T	H						
Un 1500V.DC Us 2250V Ur 350V									
3300	420	125	360	8	26.4	200	0.72	0.5	39.2
4000	420	125	430	8	32.0	200	0.66	0.6	44.8
2500	340	235	190	10	25.0	200	1.1	0.3	32.8
5000	340	235	350	8	40.0	250	0.8	0.3	58.4
4000	420	235	245	10	40.0	250	0.9	0.3	49.6
5200	420	235	300	9	46.8	250	0.8	0.3	61.6
6600	420	235	360	8	52.8	280	0.7	0.3	73.6
8000	420	235	430	8	64.0	300	0.6	0.3	84
Un 2000V.DC Us 3000V Ur 450V									
800	340	125	190	12	9.6	120	1.1	0.9	17.6
1000	340	125	245	12	12.0	150	0.95	0.7	22.4
1500	340	125	350	10	15.0	180	0.72	0.6	31.2
1900	340	125	420	9	17.1	180	0.66	0.7	37.6
1200	420	125	245	12	14.4	150	0.95	0.7	26.4
2000	420	125	360	10	20.0	200	0.72	0.5	39.2
2400	420	125	430	9	21.6	200	0.66	0.6	44.8
1600	340	235	190	12	19.2	200	1.1	0.3	32.8
3200	340	235	350	10	32.0	250	0.8	0.3	46.4
3500	340	235	420	9	31.5	250	0.7	0.3	56
2400	420	235	245	12	28.8	250	0.9	0.3	40
3200	420	235	300	10	32.0	250	0.8	0.3	49.6
4000	420	235	360	10	40.0	280	0.7	0.3	58.4
4800	420	235	430	9	43.2	300	0.6	0.3	67.2
Un 3000V.DC Us 4500V Ur 600V									
660	420	235	175	12	7.9	150	1	0.7	28.8
840	420	235	245	12	10.1	150	0.9	0.7	40
1050	420	235	300	10	10.5	200	0.8	0.5	49.6
1250	420	235	360	10	12.5	200	0.7	0.5	58.4