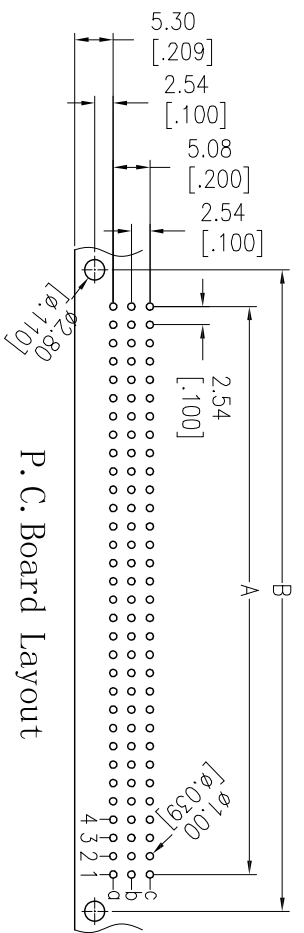
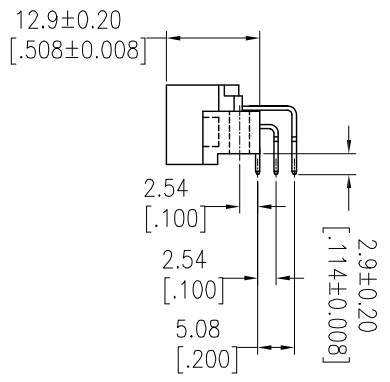
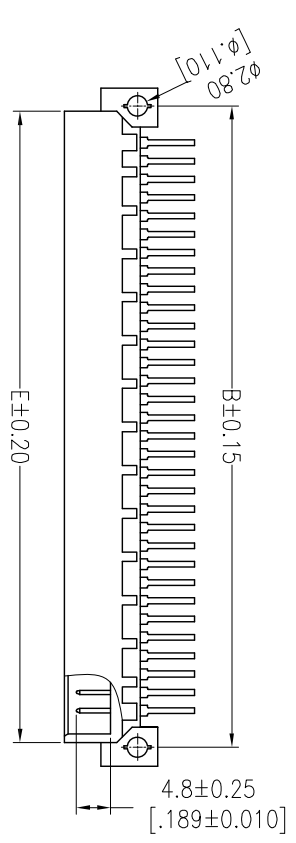
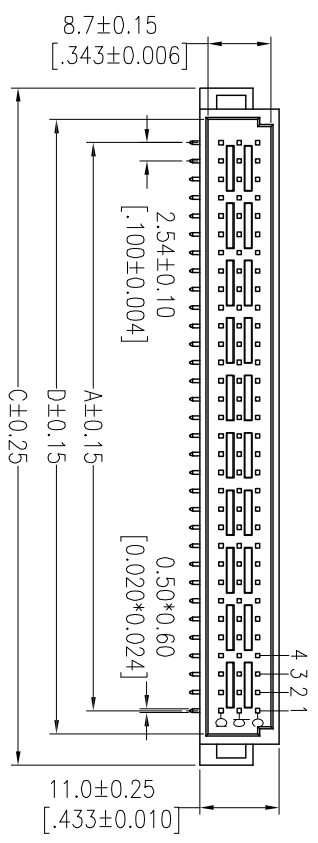


Rev No	Revision note	Date	Signature	Checked
A/0				



P. C. Board Layout

Ordering Code:

3416-3XX XMR XX 10

No. of Pins Rows With Contact Contact Plating

- G0=Gold Flash
- G1=3u" Gold
- G2=5u" Gold
- G3=10u" Gold
- S0=Gold/Flash/Tin
- S1=3u" Gold/Tin
- S2=5u" Gold/Tin
- S3=10u" Gold/Tin
- SN=Tin

THIS DRAWING IS A CONTROLLED DOCUMENT

TOLERANCES UNLESS OTHERWISE SPECIFIED

PLC	±
1 PLC	±
2 PLC	± 0.20
3 PLC	± 0.25
4 PLC	± 0.30
ANGLES	± 3°

Pitch	Number Of Contacts	Rows/Positions With Contact	Part No.
2.54	48	a+b+c	3416-316XMRXX10
	32	a+b	3416-332XMRXX10
	32	a+c	3416-332XMRXX10
	16	a	3416-332XMRXX10
5.08	24	a+b+c	3416-316XMRXX10
	16	a	3416-332XMRXX10
	16	a+c	3416-332XMRXX10

- Electrical:**
- Current Rating: 3.00AMP
 - Contact Resistance: 30Milliohms Max. at DC 100mA
 - Insulation Resistance: 1000Megohms Min. at DC 500V
 - Dielectric Withstanding Voltage: 1000V for 1 Min
- Mechanical:**
- Insulator Material: PBT+30%G. F (UL94V-0)
 - Contact Material: Brass
 - Contact Plating: Au or Sn Over Ni
- Environmental:**
- Operation: -55°C To +105°C

NO. of Pins	A	B	C	D	E	Part No.
3X16P	38.10	48.26	53.20	44.60	47.30	3416-316XMRXX10
3X32P	78.74	88.90	93.90	85.20	88.00	3416-332XMRXX10

YTCO TECHNOLOGY
 HTTP://WWW.YTCO.CO

DIN41612 Male TripleRow 90° DIP

REV	DATE	BY	CHK	APP'D	DATE	REV	DATE	BY	CHK	APP'D
0	DEC. 07. 2010				DEC. 07. 2010					
1	DEC. 07. 2010				DEC. 07. 2010					
2	DEC. 07. 2010				DEC. 07. 2010					
3	DEC. 07. 2010				DEC. 07. 2010					
4	DEC. 07. 2010				DEC. 07. 2010					