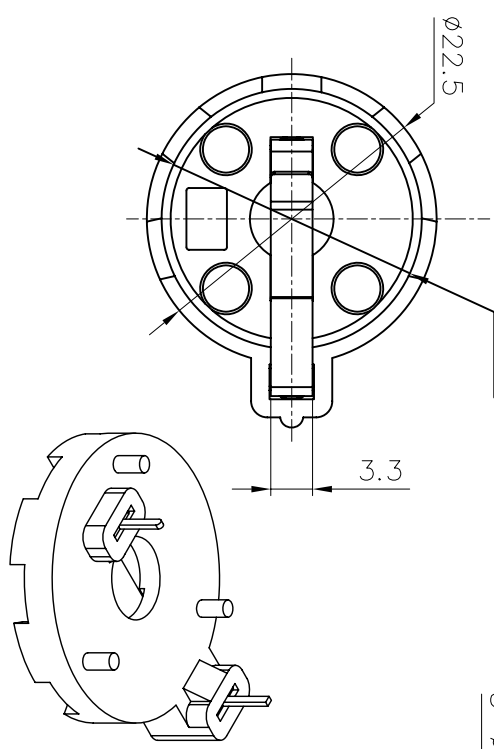


PCB Holes Diagram

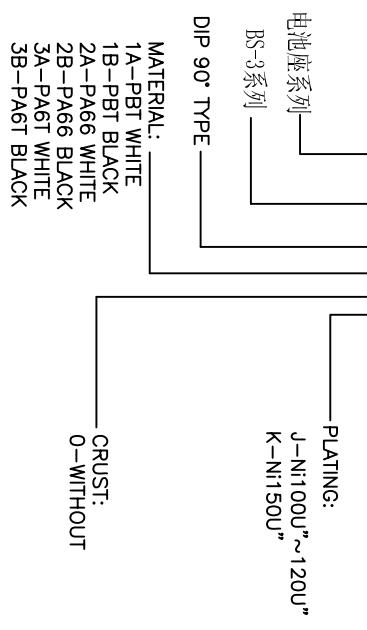
Top View



NOTE:  
 1. MATERIAL:  
 a. HOUSING: THERMOPLASTIC GLASS FIBRE UL94V-0  
 b. CONTACT: MN Steel  
 (SURFACE PLATING: Ni100u")  
 SEE ORDERING INFORMATION  
 2. ELECTRIC:  
 a. CONTACT RESISTANCE: 30 MILLIOHMS MAX  
 b. INSULATION RESISTANCE: 1000 MEGA OHMS MIN  
 c. DIELECTRIC VOLTAGE: 750V AC ONE SEC LEVEL  
 d. OPERATING TEMPERATURE: -55°C ~ +85°C

ORDERING INFORMATION

BS-03-A\*\*0\*002



TOLERANCE	
LINEAR	ANGLE
x. ±1	x.' ±5
.x ±0.38	.x' ±2
.xx ±0.25	.xx' ±1
.xxx ±0.10	

Tolerance: Unless otherwise specified			
3	TERMINAL-2	MIN Steel	Ni-Plated
2	TERMINAL-1	MIN Steel	Ni-Plated
1	HOUSING	PBT	BLACK
NO.	PART NAME	MATERIAL	COLOR/FINISHED

日期 DATE	单位 UNITS	审核 CHECK	BATTERY HDLDER	PART NO.
2009.3.28	mm	周端才		BS-03-A1B0J002
比例 SCALE	制图 DRAW	设计 DESIGN	TITLE:	
1/1	杨峰	薛正勇	两PIN电池座卧式 (BS-3-1)	

REV.	MATTER	APP.	DATE
A			