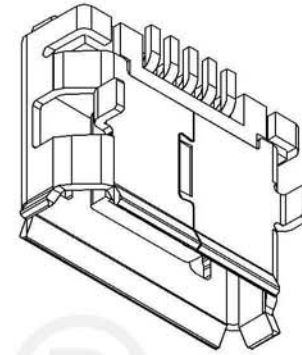
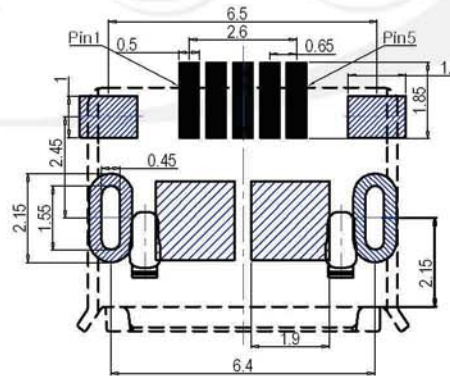
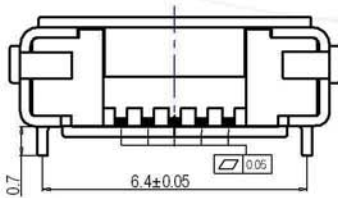
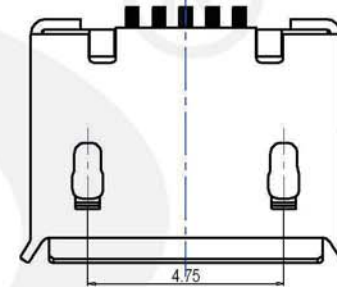
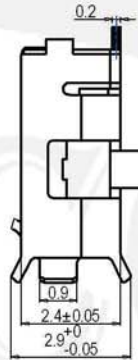
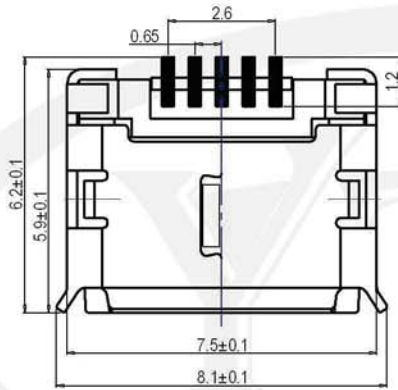
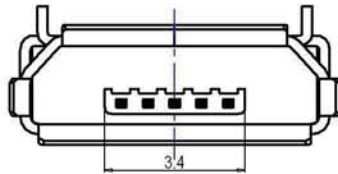
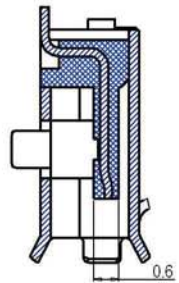


Rev No	Revision note	Date	Signature	Checked
A/0				



NOTES:

Electrical

Current Rating:1.00Ampereper Contact
 Contact Resistance:50Milliohms Max
 Insulation Resistance:100Megohms Min
 Dielectric Withstanding Voltage:100V AC(for 1 minute)
 Operation Temperature:-30 °C~+80 °C

Mechanical

Contact Material:Phosphor Bronze
 Contact Plating:Au or Sn Over Ni
 Insulator Material:LCP (UL94V-0)
 Mating Force:3.57KG Max
 Unmating Force:1.0KG Min

THIS DRAWING IS A CONTROLLED DOCUMENT

DIMENSIONS INCHES	TOLERANCES UNLESS OTHERWISE SPECIFIED
	0 PLC ±
	1 PLC ±
	2 PLC ± 0.20
	3 PLC ± 0.25
	4 PLC ± 0.30
	ANGLES ± 3°

DWN	DATE	
JACK	OCT.05.2006	
CHK	DATE	
MIKE	OCT.05.2006	
APVD	DATE	
PETER	OCT.05.2006	
UNITS	SCALE	SIZE
MM	1:1	A4
CAGE CODE	FILE PATH	
00871		

YTCO YTCO TECHNOLOGY
 HTTP://WWW.YTCO.CO

TITLE
MicroUSB B Type Female 90° S.M.T 6.4

PART NO. 6424-105FHXXXXXX11X

DRAWING NO. YT-6424105FH11

SHEET 1 OF 1 REV A

Rev No	Revision note	Date	Signature	Checked
A/0				

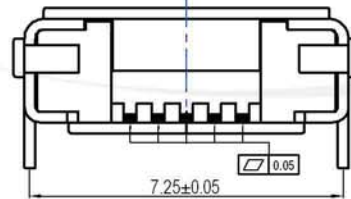
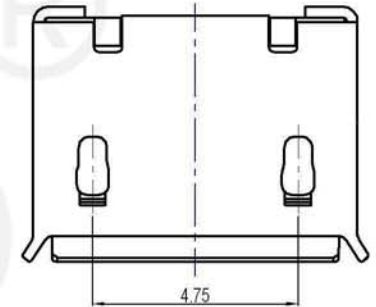
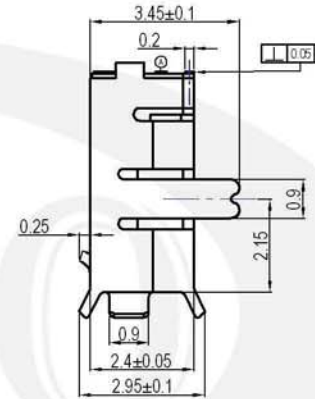
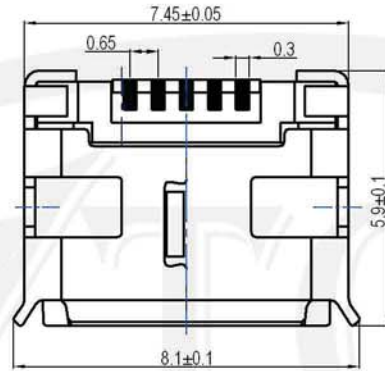
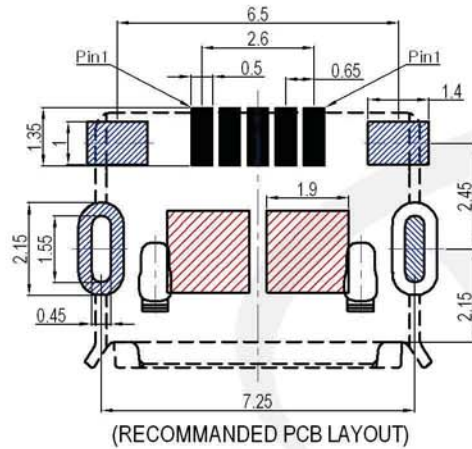
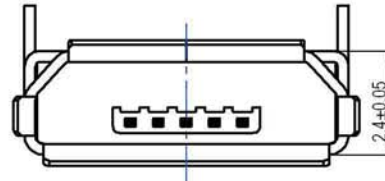
NOTES:

Electrical

Current Rating:1.00Ampereper Contact
 Contact Resistance:50Milliohms Max
 Insulation Resistance:100Megohms Min
 Dielectric Withstanding Voltage:100V AC(for 1 minute)
 Operation Temperature:-30 °C~~+80 °C

Mechanical

Contact Material:Phosphor Bronze
 Contact Plating:Au or Sn Over Ni
 Insulator Material:LCP (UL94V-0)
 Mating Force:3.57KG Max
 Unmating Force:1.0KG Min



6424-105FHXX X XX X 12 X

Contact Plating
 G0=Gold Flash
 G1=3u" Gold
 G2=5u" Gold
 G3=10u" Gold
 G4=15u" Gold
 G5=30u" Gold
 S0=Gold Flash/Tin
 S1=3u" Gold/Tin
 S2=5u" Gold/Tin
 S3=10u" Gold/Tin
 S4=15u" Gold/Tin
 S5=30u" Gold/Tin
 SN=Tin

Shell Material
 B=Brass
 P=PH.B
 S=SPCC

Shell Plating
 NI=Nickel
 SN=Tin
 G0=Gold Flash

Color Insulator
 B=Black
 W=White

Packing
 3=Tube
 5=Tape&Reel

THIS DRAWING IS A CONTROLLED DOCUMENT

DIMENSIONS INCHES	TOLERANCES UNLESS OTHERWISE SPECIFIED
	0 PLC ± —
	1 PLC ± —
	2 PLC ± 0.20
	3 PLC ± 0.25
	4 PLC ± 0.30
	ANGLES ± 3°

DWN	DATE	
JACK	OCT.05.2006	
CHK	DATE	
MIKE	OCT.05.2006	
APVD	DATE	
PETER	OCT.05.2006	
UNITS	SCALE	SIZE
MM	1:1	A4
CAGE CODE	FILE PATH	
00871		

YTCO TECHNOLOGY HTTP://WWW.YTCO.CO	
TITLE MicroUSB B Type Female 90° S.M.T 7.2	
PART NO. 6424-105FHXXXXXX12X	
DRAWING NO. YT-6424105FH12	
SHEET	REV
1 OF 1	A