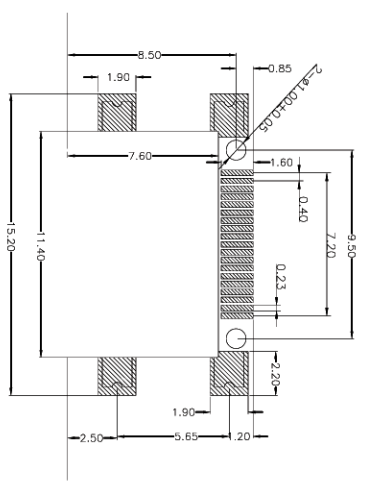
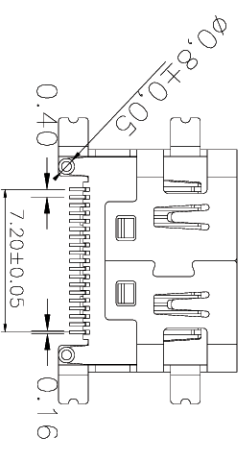
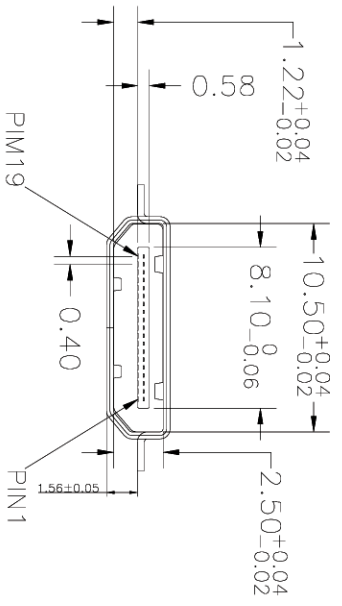
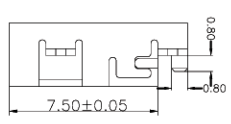
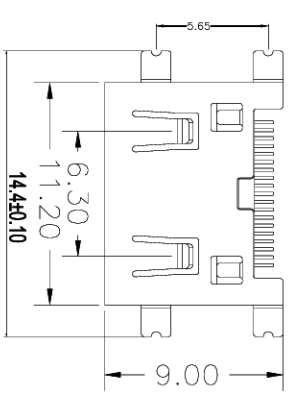


Rev No	Revision note	Date	Signature	Checked
A/0				



P.C.B LAYOUT

NOTES:
 Material
 Body: LCP UL94V-0 Color: Black
 Shield: Brass
 Plating: Gold Plating
 Contact: Phosphor Bronze
 Plating: Gold Plating Over Nickel On Contact Area;
 Tin Plating On Solder Tail

Electrical Specification

Operation Voltage: 40V AC Max
 Current Rating: 0.5Ampereper Contact
 Contact Resistance: 30Milliohms Max
 Insulation Resistance: 100Megohms Min (UNMATED)
 10Megohms Min (MATED)
 Dielectric Withstanding Voltage: 500V AC Min (UNMATED)
 300V AC Min (MATED)
 Working Temperature: -20°C~+85°C
 Mating Force: 44.1N Max
 Umating Force: 7-25N
 Durability: 10000 Cycles Min

6532-19FMXX XX 01 X

Contact Plating G0=Gold Flash G1=3u" Gold G2=5u" Gold G3=10u" Gold G4=15u" Gold G5=30u" Gold S0=GoldFlash/Tin SN=Tin	Shell Material B=Brass S=SPCC P=Phosphor Bronze	Contact Plating G0=Gold Flash G1=3u" Gold G2=5u" Gold G3=10u" Gold G4=15u" Gold G5=30u" Gold S0=GoldFlash/Tin SN=Tin NI=Nickel	Packaging 2=Tray 5=Tape&Reel
--	--	---	------------------------------------

THIS DRAWING IS A CONTROLLED DOCUMENT		DATE	DATE	YTCO TECHNOLOGY HTTP://WWW.YTCO.CO
AWD	JACK	OCT. 05. 2006	OCT. 05. 2006	
DIMENSIONS INCHES		TEN	DATE	MINI HDMI Female 19Pin S.M.T PART NO. 6532-19FMXXXXX01X DRAWING NO. YT-653219FM01
TOLERANCES UNLESS OTHERWISE SPECIFIED		MIKE	OCT. 05. 2006	
0	PLC	±	—	TITLE SCALE SIZE SHEET 1 OF 1 REV A
1	PLC	±	0.20	
2	PLC	±	0.25	
3	PLC	±	0.30	
4	PLC ANGLES	±	3°	
DRAWING NO. 6532-19FMXXXXX01X		DATE	DATE	
PART NO. 6532-19FMXXXXX01X		SCALE	SIZE	
DRAWING NO. YT-653219FM01		FILE NAME		
DRAWING NO. 6532-19FMXXXXX01X		FILE NAME		
DRAWING NO. 6532-19FMXXXXX01X		FILE NAME		