

片式NTC热敏电阻器—NTC系列

Chip NTC Thermistor – NTC Series



Operating Temp.: -55°C ~ +125°C

特征

- SMD 结构适合高密度安装。
- B值种类多可满足各种应用。
- 良好的焊接性能。

FEATURES

- SMD type suitable for high density mounting.
- Series of B constant for various applications.
- Excellent solderability.

用途

- 移动电话汽车电话，无绳电话等通讯设备。
- 打印机，传真机，文字处理机等办公设备。
- 录像机，DVD、CD 等消费类电子设备。

APPLICATIONS

- Telecommunication equipments such as cellular phone, automobile phone, cordless phone, etc.
- Office automation equipments such as printer, facsimile, word processor, etc.
- Consumer electronics equipments such as VCR, DVD, CD players, etc.

产品型号

PRODUCT IDENTIFICATION

NTC **1005** **X** **103** **J** **3380** **H** **I** **F**
 ① ② ③ ④ ⑤ ⑥ ⑦ ⑧ ⑨

①

分类 Type	
NTC	片式NTC热敏电阻器 Chip NTC Thermistor

②

外形尺寸(L×W) (mm) External Dimensions (L×W) (mm)	
1005 [0402]	1.0×0.5
1608 [0603]	1.6×0.8
2012 [0805]	2.0×1.25

③

内部代号 Internal Code	
X	

④

电阻值 Example	Zero-power Resistance Nominal Value
101	0.1kΩ
103	10kΩ

⑤

电阻值公差 Tolerance of Resistance	
H	±3%
J	±5%
K	±10%

⑥

B 常数 Example	B Constant (25-50°C) Nominal Value
3380	3380K
4250	4250K

⑦

B 值公差 Tolerance of B Constant	
H	±3%
J	±5%

⑧

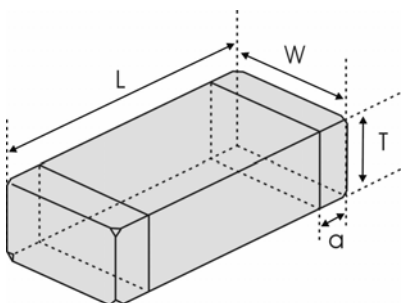
包装	
B	散装 Bulk Package
T	编带 Tape & Reel

⑨

无有害物质产品 Hazardous Substance Free Products	
F	

外观尺寸

SHAPE AND DIMENSIONS



Unit: mm [inch]

Type	L	W	T	a
NTC1005 [0402]	1.0±0.15 [.039±.006]	0.5±0.15 [.020±.006]	0.5±0.15 [.020±.006]	0.25±0.1 [.010±.004]
NTC1608 [0603]	1.6±0.15 [.063±.006]	0.8±0.15 [.031±.006]	0.8±0.15 [.031±.006]	0.3±0.2 [.012±.008]
NTC2012 [0805]	2.0 ±0.2 [.079±.008]	1.25±0.2 [.049±.008]	0.85±0.2 [.033±.008]	0.5±0.3 [.020±.012]

NTC1005 TYPE

Part Number 型号	Resistance at	B constant	Thermal Time	Dissipation Factor	Rated Electric
	25℃	(25-50℃)	Constant		Power
Units 单位	kΩ	K	sec	mW/℃	mW
Symbol 符号	R25	B25/50	t	C	P
NTC1005X220□3250H	0.022	3250±3%	<3sec	1.0	100
NTC1005X400□3250H	0.040	3250±3%			
NTC1005X101□3250H	0.10	3250±3%			
NTC1005X151□3250H	0.15	3250±3%			
NTC1005X221□3450H	0.22	3450±3%			
NTC1005X331□3450H	0.33	3450±3%			
NTC1005X471□3450H	0.47	3450±3%			
NTC1005X681□3450H	0.68	3450±3%			
NTC1005X102□3450H	1.0	3450±3%			
NTC1005X152□3950H	1.5	3950±3%			
NTC1005X222□3950H	2.2	3950±3%			
NTC1005X332□3950H	3.3	3950±3%			
NTC1005X472□3450H	4.7	3450±3%			
NTC1005X682□3950H	6.8	3950±3%			
NTC1005X103□3380H	10	3380±3%			
NTC1005X153□3450H	15	3450±3%			
NTC1005X223□3450H	22	3450±3%			
NTC1005X333□3500H	33	3500±3%			
NTC1005X473□4100H	47	4100±3%			
NTC1005X503□4100H	50	4100±3%			
NTC1005X683□4150H	68	4150±3%			
NTC1005X104□4150H	100	4150±3%			
NTC1005X154□4150H	150	4150±3%			
NTC1005X224□4250H	220	4250±3%			
NTC1005X334□4300H	330	4300±3%			
NTC1005X474□4350H	470	4350±3%			
NTC1005X684□4400H	680	4400±3%			

NTC1608 TYPE

Part Number 型号	Resistance at	B constant	Thermal Time	Dissipation Factor	Rated Electric
	25℃	(25-50℃)	Constant		Power
Units 单位	kΩ	K	sec	mW/℃	mW
Symbol 符号	R25	B25/50	t	C	P
NTC1608X101□3250H	0.10	3250±3%	<5sec	1.0	100
NTC1608X151□3250H	0.15	3250±3%			
NTC1608X221□3450H	0.22	3450±3%			
NTC1608X331□3450H	0.33	3450±3%			
NTC1608X471□3450H	0.47	3450±3%			
NTC1608X681□3450H	0.68	3450±3%			
NTC1608X102□3450H	1.0	3450±3%			
NTC1608X152□3450H	1.5	3450±3%			
NTC1608X152□3950H	1.5	3950±3%			
NTC1608X222□3950H	2.2	3950±3%			
NTC1608X302□3950H	3.0	3950±3%			
NTC1608X332□3950H	3.3	3950±3%			

NTC1608 TYPE

Part Number 型号	Resistance at	B constant	Thermal Time	Dissipation Factor	Rated Electric Power
	25℃	(25-50℃)	Constant		
	电阻	B 常数	热时间常数	耗散因子	额定功率
Units 单位	kΩ	K	sec	mW/℃	mW
Symbol 符号	R25	B25/50	t	C	P
NTC1608X472□3500H	4.7	3500±3%	<5sec	1.0	100
NTC1608X502□3500H	5.0	3500±3%			
NTC1608X682□3950H	6.8	3950±3%			
NTC1608X103□3450H	10	3450±3%			
NTC1608X103□3950H	10	3950±3%			
NTC1608X153□3500H	15	3500±3%			
NTC1608X223□4050H	22	4050±3%			
NTC1608X333□4050H	33	4050±3%			
NTC1608X473□4150H	47	4150±3%			
NTC1608X503□4150H	50	4150±3%			
NTC1608X683□4150H	68	4150±3%			
NTC1608X104□4250H	100	4250±3%			
NTC1608X154□4300H	150	4300±3%			
NTC1608X224□4350H	220	4350±3%			
NTC1608X334□4400H	330	4400±3%			
NTC1608X474□4500H	470	4500±3%			
NTC1608X684□4500H	680	4500±3%			

NTC2012 TYPE

Part Number 型号	Resistance at	B constant	Thermal Time	Dissipation Factor	Rated Electric Power
	25℃	(25-50℃)	Constant		
	电阻	B 常数	热时间常数	耗散因子	额定功率
Units 单位	kΩ	K	sec	mW/℃	mW
Symbol 符号	R25	B25/50	t	C	P
NTC2012X101□3250H	0.10	3250±3%	<5sec	2.0	200
NTC2012X151□3250H	0.15	3250±3%			
NTC2012X221□3450H	0.22	3450±3%			
NTC2012X331□3450H	0.33	3450±3%			
NTC2012X471□3450H	0.47	3450±3%			
NTC2012X681□3450H	0.68	3450±3%			
NTC2012X102□3450H	1.0	3450±3%			
NTC2012X152□3950H	1.5	3950±3%			
NTC2012X202□3500H	2.0	3500±3%			
NTC2012X222□3950H	2.2	3950±3%			
NTC2012X332□3950H	3.3	3950±3%			
NTC2012X472□3500H	4.7	3500±3%			
NTC2012X502□3500H	5.0	3500±3%			
NTC2012X682□3950H	6.8	3950±3%			
NTC2012X103□3450H	10	3450±3%			
NTC2012X103□3950H	10	3950±3%			
NTC2012X153□3500H	15	3500±3%			
NTC2012X223□4050H	22	4050±3%			
NTC2012X333□4050H	33	4050±3%			
NTC2012X473□4150H	47	4150±3%			
NTC2012X503□4150H	50	4150±3%			

NTC2012 TYPE

Part Number 型号	Resistance at 25°C	B constant (25-50°C)	Thermal Time Constant	Dissipation Factor	Rated Electric Power
	电阻	B 常数	热时间常数	耗散因子	额定功率
Units 单位	kΩ	K	sec	mW/°C	mW
Symbol 符号	R25	B25/50	t	C	P
NTC2012X683□4150H	68	4150±3%	<5sec	2.0	200
NTC2012X104□4250H	100	4250±3%			
NTC2012X154□4300H	150	4300±3%			
NTC2012X224□4350H	220	4350±3%			
NTC2012X334□4400H	330	4400±3%			
NTC2012X474□4500H	470	4500±3%			
NTC2012X684□4500H	680	4500±3%			

※□: Please specify the resistance tolerance code (H=±3%, J=±5%, K=±10%).

And products with other electrical characteristics can be provided upon customer's request. Please contact your local sales.

电气特性

TYPICAL ELECTRICAL CHARACTERISTICS

