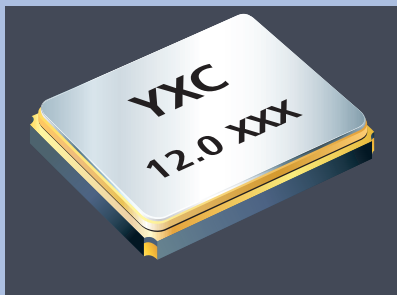




SMD Seam Sealing Crystals

3.2 x 2.5 x 0.7 mm YSX321SL Series



Features

- High precision and high frequency stability.
- Extremely good for reducing EMI effect.
- The best choice of Bluetooth, wireless communication set, DSC, PDA, and mobile phone.
- RoHS Compliant / Pb Free.



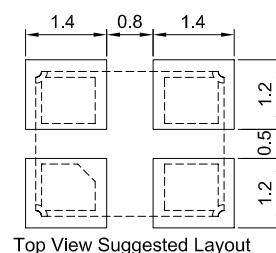
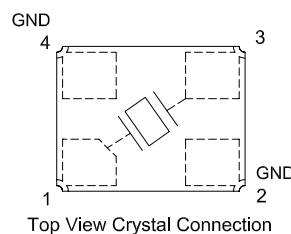
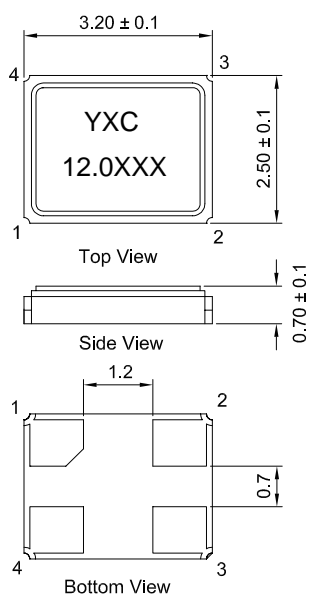
Electrical Specifications

Item / Type	YSX321SL
Frequency Range	12 ~ 54 MHz
Vibration Mode	AT Fundamental
Load Capacitance	20 pF , or specify
Frequency Stability Overall	± 10 ppm, ± 20 ppm, or specify
Frequency Tolerance (at 25 °C)	± 20 ppm, or specify
Operating Temperature Range	-20 ~ +70 °C, or specify
Storage Temperature Range	-40~+85 °C
Shunt Capacitance (C0)	7 pF Max.
Aging (at 25 °C)	± 3 ppm / year Max.
Drive Level	1 ~ 100 μW (1 0 μW Tvp)
Insulation Resistance	More Than 500MΩ at DC 100V

Equivalent Series Resistance(ESR)

Fundamental	
12 ~ 16 MHz	80 Ω Max.
16 ~ 20 MHz	60 Ω Max.
20 ~ 54 MHz	40 Ω Max.

Dimensions



Units: mm

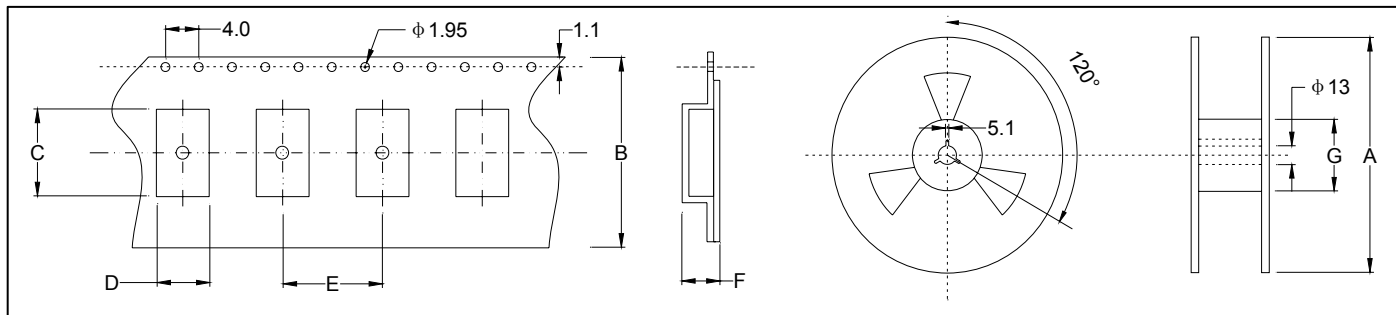
★ PART NUMBER GUIDE 部件号示例 e.g. X322516MSB4SC

YSX321SL=3.2×2.5 SMD SEAM TYPE

Quartz Crystal Resonator	Dimensions	Frequency (Hz)	Load Capacitance (Pf)	Frequency Stability Overall (ppm)	Pin	Material	Operating Temp. Range
X	3225	16M	S	B	4	S	C

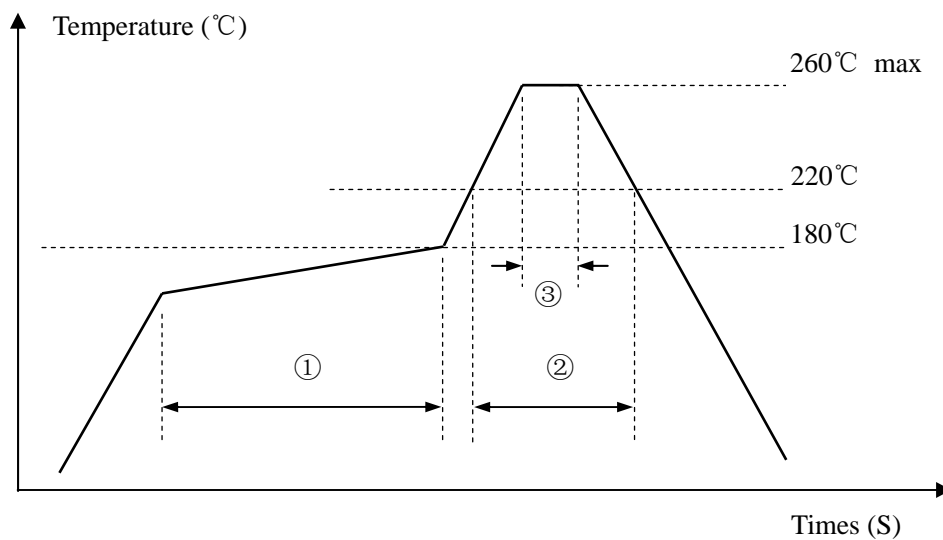
Definition	Description
Operating Temperature Range	C : -20~+70°C
	I : -40~+85°C
	D : Customer specified

★ TAPING SPECIFICATION (Unit: mm) 编带规格



	A	B	C	D	E	F	G
SMD3225	178±2.0	8.03±0.3	3.81±0.10	3.04±0.10	3.84±0.1	1.54±0.10	62.0±1.0
3000 pcs per reel							

★ REFLOW SOLDERING PROFILE 回流焊特性



Pb free reflow A	①	Preheat	160~180°C	120sec. max
	②	Primary heat	220°C	60sec. max
	③	Peak	260°C	10sec. max.