

PIEZO BUZZERS SPECIFICATION

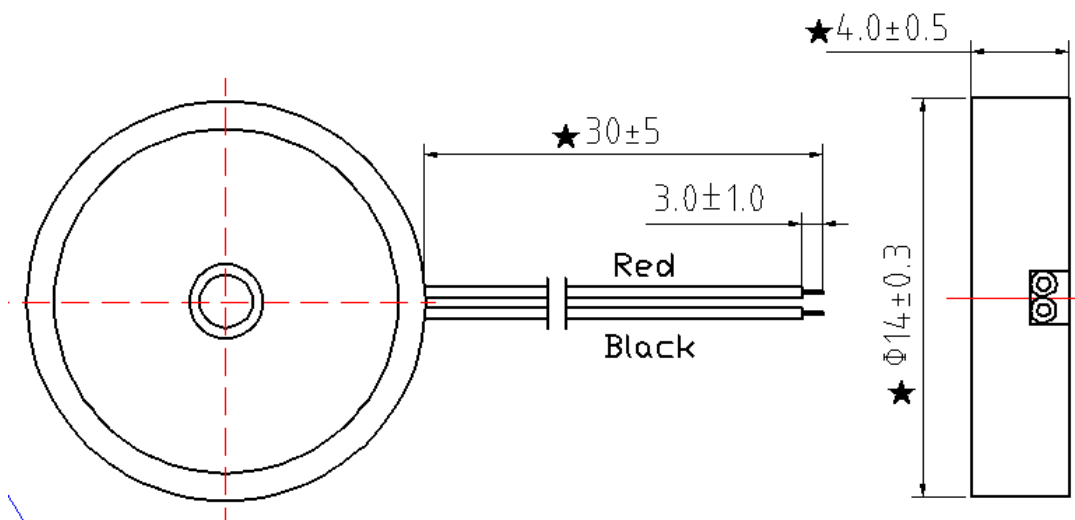
File Code : RDYP

Rve:

Customer:		Part No:	
Product: Piezoelectric Buzzers		SWT Part No: PSE1440+4003WA	
Technical Terms			
Rated Voltage (Vp-p)		6	
Operating Voltage (Vp-p)		1 ~ 25	
Max. Current Consumption (mA)		2	
Min. Sound Output at 10cm(dB)		78 (at 6Vp-p square wave 4.0kHz)	
Resonant Frequency (KHZ)		4.0 ± 0.5	
Capacitance at 120Hz (nf)		16 ± 30%	
Standard Test Conditions		Temperature : 25 ± 1 , Humidity : 45% ~ 75%, Air Pressure : 86 ~ 106kPa	
Operating Temperature ()		-20 +60	
Storage Temperature ()		-30 +70	
Dimensions (mm)		See the Drawing	
Weight (g)		1.1	
Buzzer		Soldering Parameter	
Soldering process		Temp.()	Time(Sec.)
Lead Free	Reflow soldering	245±15	above 180 time 40~70
	Wave soldering	260±5	4~8
	Manual soldering	350±10	2~5
		Times	

Remark: SWT Instance Soldering Process

APPEARANCE Unit:mm



线材：1571#30L 红、黑