

PIEZO ELEMENT SPECIFICATION

File Code : RDYP

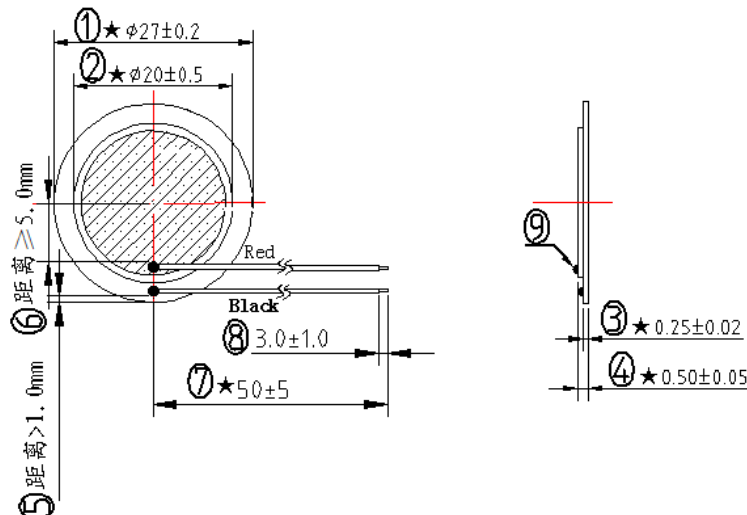
Rve:

Customer:		Part No:	
Product: Piezoelectric elements		SWT Part No: 3B27+4.5EAWK	
一、 Configuration			
Appearance and dimension: see the drawing			
Material		Piezoelectric	
Configuration		1:plane	2:discal
Electrode form		A: fullness	B: feedback
Metal material		B: brass	S: stainless steel N: nickel
二、 Electrical specification			
Resonant frequency (kHz)		Fs=4.5 ± 0.5	
Resonant impedance ()		Rr 500	
Capacitance at 120Hz (NF)		Co =22 ± 30%	
Standard Test Conditions		Temperature : 25 ± 1 Humidity : 45% ~ 75%	
Operating temperature ()		-20 ~ +70	
Storage temperature ()		-30 ~ +80	
Piezoelectric elements		Soldering Parameter	
Manual Soldering process		Temp.()	Time(Sec.)
Lead Free	silver electrode	300±10	2 second or less.
	metal plate	320±10	3 second or less.
Solder Dot: Diameter MAX 3.0mm, High MAX 0.9mm,			
Soldering sequence: 1、 silver electrode 2、 metal plate			

Remark: Represent important parameter

APPEARANCE UNIT : mm

▲▲



线材：1571#32L 红黑