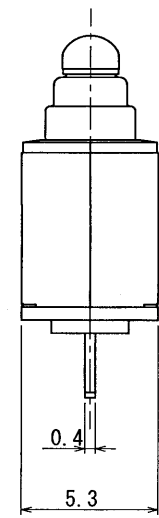
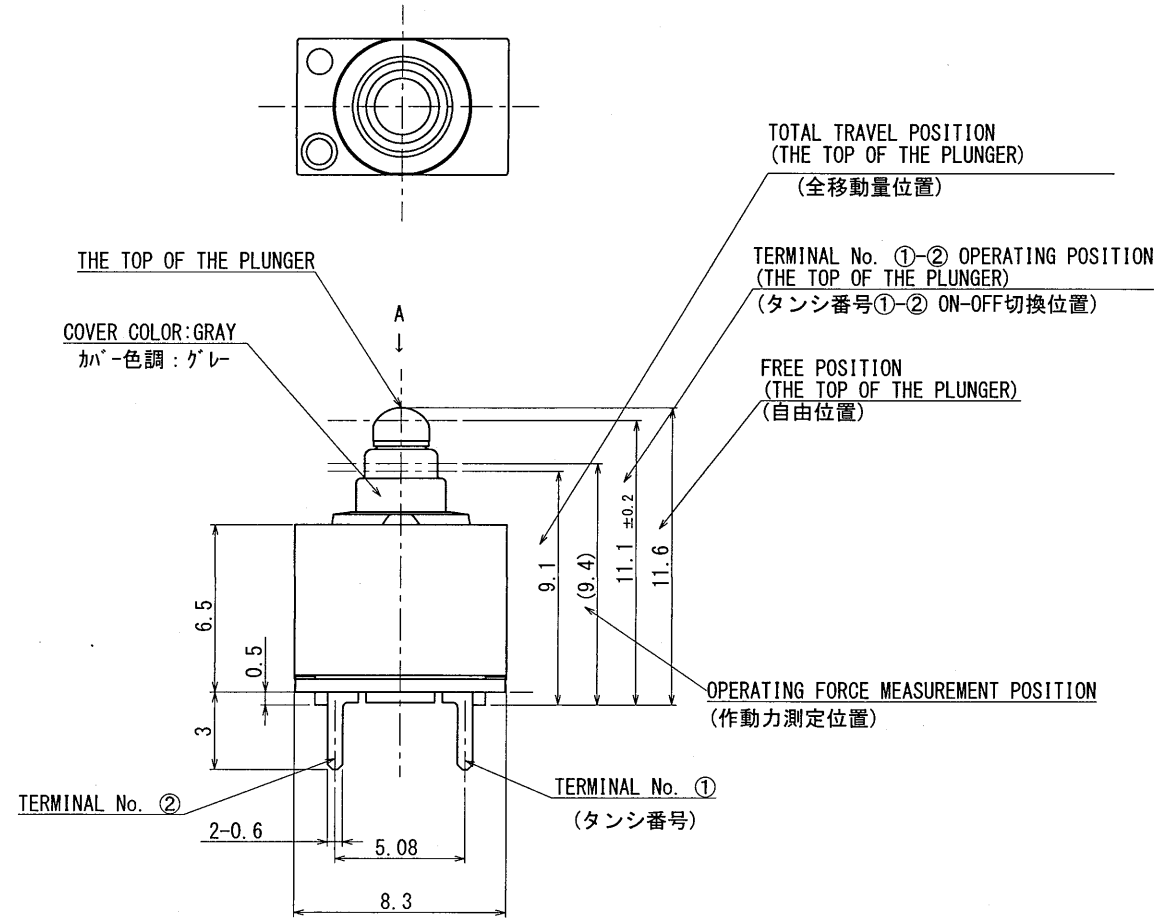
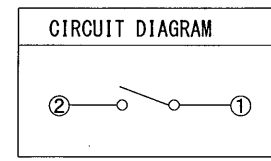


背景 BACK GROUND PP07316



2. THE OPERATING FORCE AND OPERATING POSITION SHALL BE MEASURED BY OPERATING THE SLIDER TO DIRECTION A.
(作動力、およびON-OFF切替位置はA方向に操作して測定する。)

NOTES 1. OPERATING FORCE : 1±0.5N
(作動力: 1±0.5N)

TOLERANCES UNLESS OTHERWISE SPEC	
BASIC DIMENSIONS	TOLERANCES
UP TO 10	±0.3
ABOVE 10 TO 100	±0.5
ABOVE 100	±0.8
ANGULAR DIMENSION	±5°

SYMB	DATE	APPD	CHKD	DSGD

ALPS ELECTRIC CO., LTD.			
DSGD.	APR. 26, 2011 A. KANAZAWA	SCALE	NO. SPVQ810500
CHKD.	APR. 26, 2011 M. TAKEDA		TITLE PRODUCT DRAWING (1/1)
APPD.	APR. 26, 2011 E. KIMURA	UNIT mm	DOCUMENT NO. SPVQ810500, AJ11, 003