

Pulse Withstanding Chip Resistor – PWR Series

■ Features

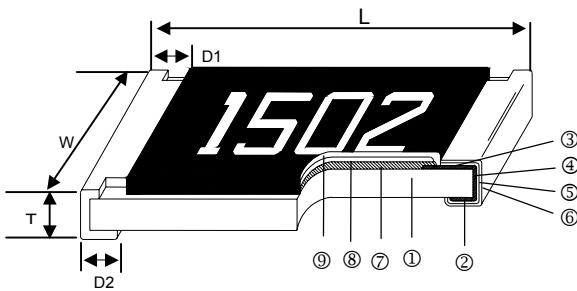
- Tolerance from $\pm 0.5\%$ ~ 5%
- High power rating
- Excellent pulse withstanding performance
- Improved working voltage ratings
- Standard package sizes of 0603~2512



■ Applications

- Metering (Testing/Measurement)
- Diagnostic Equipment
- Medical Devices
- Industrial Controls
- Plasma
- LCD Video Monitors

■ Construction

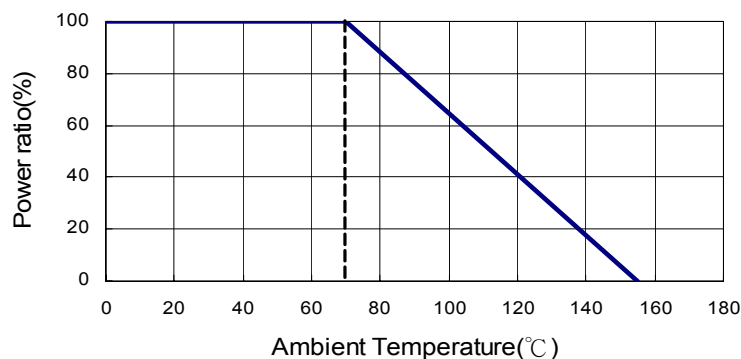


① Alumina Substrate	⑥ External Electrode (Sn)
② Bottom Electrode (Ag)	⑦ Resistor Layer (RuO ₂ /Ag)
③ Top Electrode (Ag-Pd)	⑧ Primary Overcoat (Glass)
④ Edge Electrode (NiCr)	⑨ Secondary Overcoat (Epoxy)
⑤ Barrier Layer (Ni)	

■ Dimensions

Type	Size (Inch)	L (mm)	W (mm)	T (mm)	D1 (mm)	D2 (mm)	Weight (g) (1000pcs)
PWR03	0603	1.60 \pm 0.10	0.80 \pm 0.10	0.45 \pm 0.10	0.30 \pm 0.20	0.30 \pm 0.20	2.042
PWR05	0805	2.00 \pm 0.10	1.25 \pm 0.10	0.50 \pm 0.10	0.35 \pm 0.20	0.40 \pm 0.20	4.368
PWR06	1206	3.10 \pm 0.10	1.55 \pm 0.10	0.55 \pm 0.10	0.50 \pm 0.25	0.50 \pm 0.20	8.947
PWR13	1210	3.10 \pm 0.10	2.60 \pm 0.15	0.55 \pm 0.10	0.50 \pm 0.25	0.50 \pm 0.20	15.959
PWR10	2010	5.00 \pm 0.10	2.50 \pm 0.15	0.55 \pm 0.10	0.60 \pm 0.25	0.50 \pm 0.20	24.241
PWR12	2512	6.35 \pm 0.10	3.10 \pm 0.15	0.55 \pm 0.10	0.60 \pm 0.25	0.50 \pm 0.20	39.448

■ Derating Curve



Part Numbering

PWR	12	J	T	E	A	1001	
Product Type	Dimensions	Resistance Tolerance	Packaging Code	TCR (PPM/°C)	Power Rating	Resistance	Marking
	03: 0603 05: 0805 06: 1206 13: 1210 10: 2010 12: 2512	D: ±0.5% F: ±1% J: ±5%	T: Taping Reel B: Bulk	E: ±100 F: ±200	A: 1.5W T: 1W Q: 3/4W U: 1/2W O: 1/3W V: 1/4W P: 1/5W W: 1/8W X: 1/10W	1001: 1KΩ 1004: 1MΩ 1005: 10MΩ	: Standard Marking N: No Marking

Standard Electrical Specifications

Item Type	Power Rating at 70°C	Operating Temp. Range	Max. Operating Voltage	Max. Overload Voltage	Resistance Range			TCR (PPM/°C)
					±0.5%	±1%	±5%	
PWR03 (0603)	1/10W	-55 ~ +155°C	50V	100V	10Ω - 294Ω	1Ω - 294Ω	±200	
					300Ω - 1MΩ			±100
PWR05 (0805)	1/8W	-55 ~ +155°C	150V	300V	10Ω - 294Ω	1Ω - 294Ω	±200	
					300Ω - 20MΩ		±100	
PWR06 (1206)	1/3W	-55 ~ +155°C	200V	400V	10Ω - 20Ω	1Ω - 20Ω	±200	
					20.5Ω - 20MΩ		±100	
PWR13 (1210)	1/2W	-55 ~ +155°C	200V	400V	10Ω - 20Ω	1Ω - 20Ω	±200	
					20.5Ω - 20MΩ		±100	
PWR10 (2010)	3/4W	-55 ~ +155°C	400V	800V	10Ω - 20Ω	1Ω - 20Ω	±200	
					20.5Ω - 20MΩ		±100	
PWR12 (2512)	1.5W	-55 ~ +155°C	500V	1000V	10Ω - 20Ω	1Ω - 20Ω	±200	
					20.5Ω - 20MΩ		±100	

High Power Rating Electrical Specifications

Item Type	Power Rating at 70°C	Operating Temp. Range	Max. Operating Voltage	Max. Overload Voltage	Resistance Range			TCR (PPM/°C)
					±0.5%	±1%	±5%	
PWR03 (0603)	1/8W	-55 ~ +155°C	50V	100V	10Ω - 294Ω	1Ω - 294Ω	±200	
	1/5W				300Ω - 1MΩ		±100	
PWR05 (0805)	1/4W	-55 ~ +155°C	150V	300V	10Ω - 294Ω	1Ω - 294Ω	±200	
					300Ω - 20MΩ		±100	
PWR06 (1206)	1/2W	-55 ~ +155°C	200V	400V	10Ω - 20Ω	1Ω - 20Ω	±200	
					20.5Ω - 20MΩ		±100	
PWR10 (2010)	1W	-55 ~ +155°C	400V	800V	10Ω - 20Ω	1Ω - 20Ω	±200	
					20.5Ω - 20MΩ		±100	

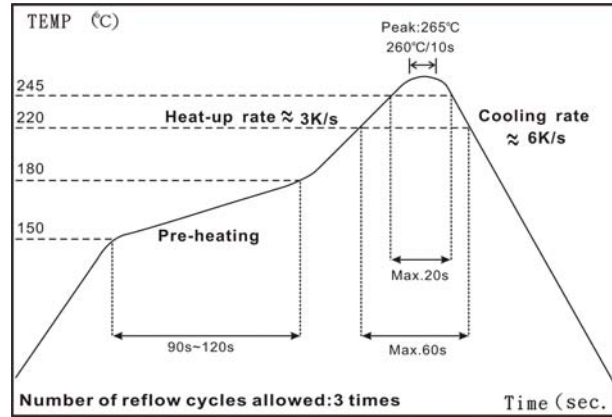
Operating Voltage= $\sqrt{P \cdot R}$ or Max. operating voltage listed above, whichever is lower.

Overload Voltage= $2.5 \cdot \sqrt{P \cdot R}$ or Max. overload voltage listed above, whichever is lower.

■ Viking is capable of manufacturing the optional spec based on customer's requirement.

Pulse Withstanding Chip Resistor

■Soldering Condition



IR Reflow Soldering

(1) Time of IR reflow soldering at maximum temperature point 260°C : 10s

■Environmental Characteristics

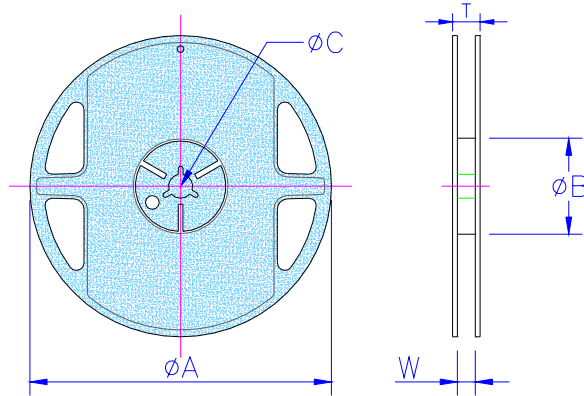
Item	Requirement	Test Method
Temperature Coefficient of Resistance (T.C.R.)	As Spec.	JIS-C-5201-1 4.8 IEC-60115-1 4.8 -55°C~+125°C, 25°C is the reference temperature
Short Time Overload	±(1.0%+0.05Ω)	JIS-C-5201-1 4.13 IEC-60115-1 4.13 RCWV*2.5 or Max. Overload voltage whichever is lower for 5 seconds
Insulation Resistance	≥10G	JIS-C-5201-1 4.6 IEC-60115-1 4.6 Max. Overload voltage for 1 minute
Endurance	±(1.0%+0.05Ω)	JIS-C-5201-1 4.25 IEC-60115-1 4.25.1 70±2°C, RCWV for 1000 hrs with 1.5 hrs "ON" and 0.5 hrs "OFF"
Damp Heat with Load	±(0.5%+0.05Ω)	JIS-C-5201-1 4.24 40±2°C, 90~95% R.H., RCWV for 1000 hrs with 1.5 hrs "ON" and 0.5 hrs "OFF"
Dry Heat	±(0.5%+0.05Ω)	JIS-C-5201-1 4.23 IEC-60115-1 2.23.2 at +155°C for 1000 hrs
Bending Strength	±(1.0%+0.05Ω)	JIS-C-5201-1 4.33 IEC-60115-1 4.33 Bending once for 5 seconds 2010, 2512 sizes: 2mm Other sizes: 3mm
Solderability	95% min. coverage	JIS-C-5201-1 4.17 IEC-60115-1 4.17 245±5°C for 3 seconds
Resistance to Soldering Heat	±(0.5%+0.05Ω)	JIS-C-5201-1 4.18 IEC-60115-1 4.18 260±5°C for 10 seconds
Voltage Proof	No breakdown or flashover	JIS-C-5201-1 4.7 IEC-60115-1 4.7 1.42 times Max. Operating Voltage for 1 minute
Leaching	Individual leaching area ≤5% Total leaching area ≤ 10%	JIS-C-5201-1 4.18 IEC-60068-2-58 8.2.1 260±5°C for 30 seconds
Rapid Change of Temperature	±(0.5%+0.05Ω)	JIS-C-5201-1 4.18 IEC-60115-1 4.18 -55°C to +155°C, 5 cycles

RCWV(Rated continuous working voltage)=√(P*R) or Max. Operating voltage whichever is lower.

■Storage Temperature: 25±3°C; Humidity < 80%RH

■Packaging

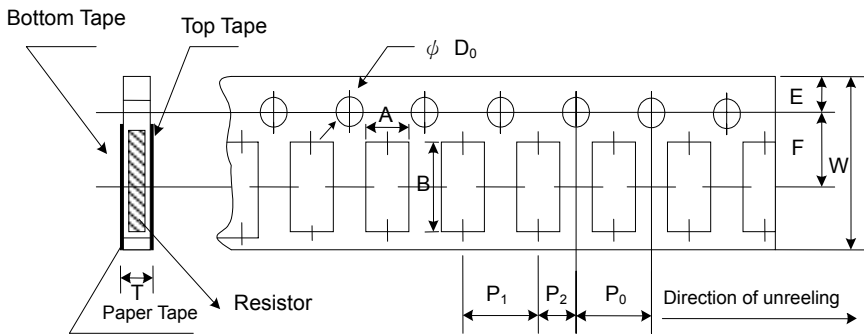
Reel Specifications & Packaging Quantity



Unit: mm

Type	Packaging Quantity	Tape Width	Reel Diameter	ΦA	ΦB	ΦC	W	T	
PWR03	Paper	5K	8mm	7 inch	178.5±1.5	60 ^{+1/-0}	13.0±0.2	9.0±0.5	12.5±0.5
PWR05		10K	8mm	10 inch	254±1	100±0.5	13.0±0.2	9.5±0.5	13.5±0.5
PWR06		20K	8mm	13 inch	330±1	100±0.5	13.0±0.2	9.5±0.5	13.5±0.5
PWR13									
PWR10	Embossed	4K	12mm	7 inch	178.5±1.5	60 ^{+1/-0}	13.0±0.5	13.0±0.5	15.5±0.5
PWR12		8K	12mm	10 inch	250±1	62±0.5	13.0±0.5	12.5±0.5	16.5±0.5

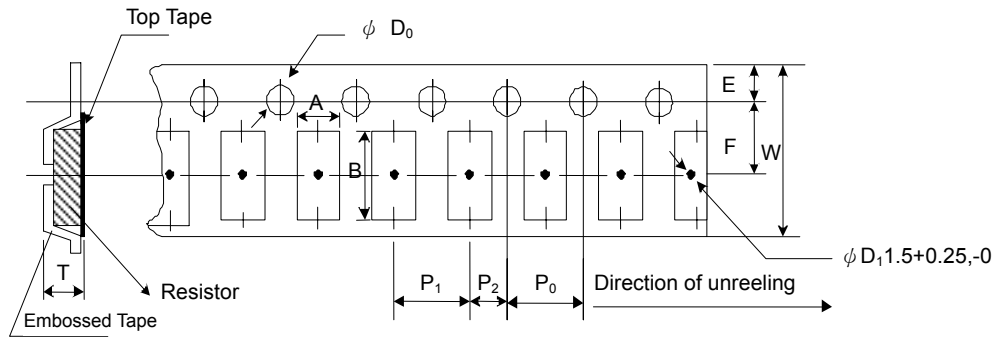
Paper Tape Specifications



Unit: mm

Type	A	B	W	E	F	P ₀	P ₁	P ₂	ΦD ₀	T
PWR03	1.10±0.10	1.90±0.1	8.0±0.2	1.75±0.1	3.50±0.05	4.00±0.10	4.00±0.05	2.00±0.05	1.50+0.1,-0	0.70±0.1
PWR05	1.60±0.10	2.40±0.2	8.0±0.2	1.75±0.1	3.50±0.05	4.00±0.10	4.00±0.05	2.00±0.05	1.50+0.1,-0	0.85±0.1
PWR06	1.90±0.10	3.50±0.2	8.0±0.2	1.75±0.1	3.50±0.05	4.00±0.10	4.00±0.05	2.00±0.05	1.50+0.1,-0	0.85±0.1
PWR13	2.90±0.10	3.50±0.2	8.0±0.2	1.75±0.1	3.50±0.05	4.00±0.10	4.00±0.05	2.00±0.05	1.50+0.1,-0	0.85±0.1

Embossed Plastic Tape Specifications



Unit: mm

Type	A	B	W	E	F	P ₀	P ₁	P ₂	ϕD_0	T
PWR10	2.8±0.10	5.5±0.10	12.0±0.3	1.75±0.1	5.5±0.05	4.00±0.10	4.00±0.1	2.00±0.05	1.50+0.1, -0	1.2 ⁺⁰
PWR12	3.5±0.10	6.7±0.10	12.0±0.3	1.75±0.1	5.5±0.05	4.00±0.10	4.00±0.1	2.00±0.05	1.50+0.1, -0	1.2 ⁺⁰

■ Marking

0805~2512 4 digits marking for Example

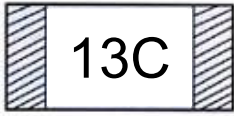
Resistance	100Ω	2.2KΩ	10KΩ	49.9KΩ	100KΩ	1MΩ
marking	1000	2201	1002	4992	1003	1004

0603: 3 digits marking in E24

Example: 101=100Ω 102=1KΩ (1st and 2nd are E24 code and 3rd code is multiplier)

E24 code	10	11	12	13	15	16	18	20	22	24	27	30	33	36	39	43	47	51	56	62	68	75	82	91

1% for 0603: 3 digits marking in E96 (E96 series except E24 series)

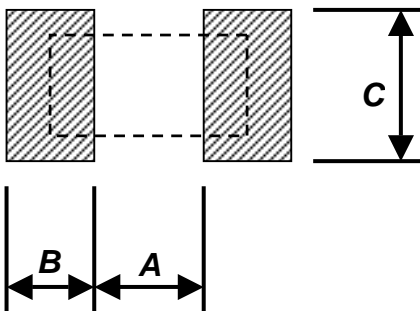


digits marking for Example: 13C=13K3Ω 68B=4K99Ω 68X=49.9Ω

Marking Table

Code	E96	Code	E96	Code	E96	Code	E96				
02	102	28	191	52	340	75	590				
03	105	29	196	53	348	76	604				
04	107	31	205	54	357	77	619				
06	113	32	210	55	365	78	634				
07	115	33	215	56	374	79	649				
08	118	34	221	57	383	80	665				
09	121	35	226	58	392	81	681				
10	124	36	232	59	402	82	698				
11	127	37	237	60	412	83	715				
13	133	38	243	61	422	84	732				
14	137	39	249	62	432	86	768				
15	140	40	255	63	442	87	787				
16	143	41	261	64	453	88	806				
17	147	42	267	65	464	89	825				
19	154	43	274	66	475	90	845				
20	158	44	280	67	487	91	866				
21	162	45	287	68	499	92	887				
22	165	46	294	69	511	93	909				
23	169	47	301	70	523	94	931				
24	174	48	309	71	536	95	953				
25	178	49	316	72	549	96	976				
26	182	50	324	73	562						
27	187	51	332	74	576						
Code	A	B	C	D	E	F	G	X	Y		
Multiplier	10 ⁰	10 ¹	10 ²	10 ³	10 ⁴	10 ⁵	10 ⁶	10 ⁻¹	10 ⁻²		

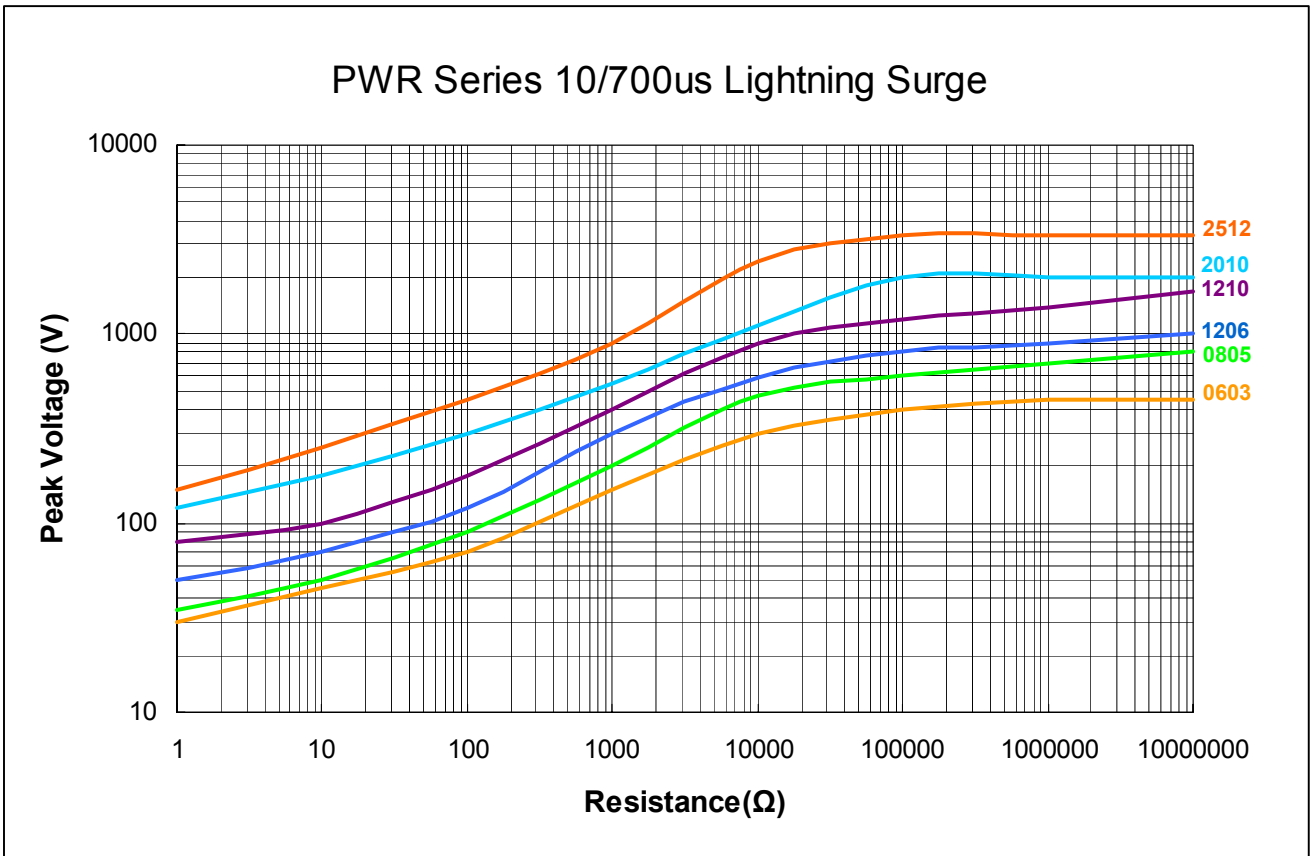
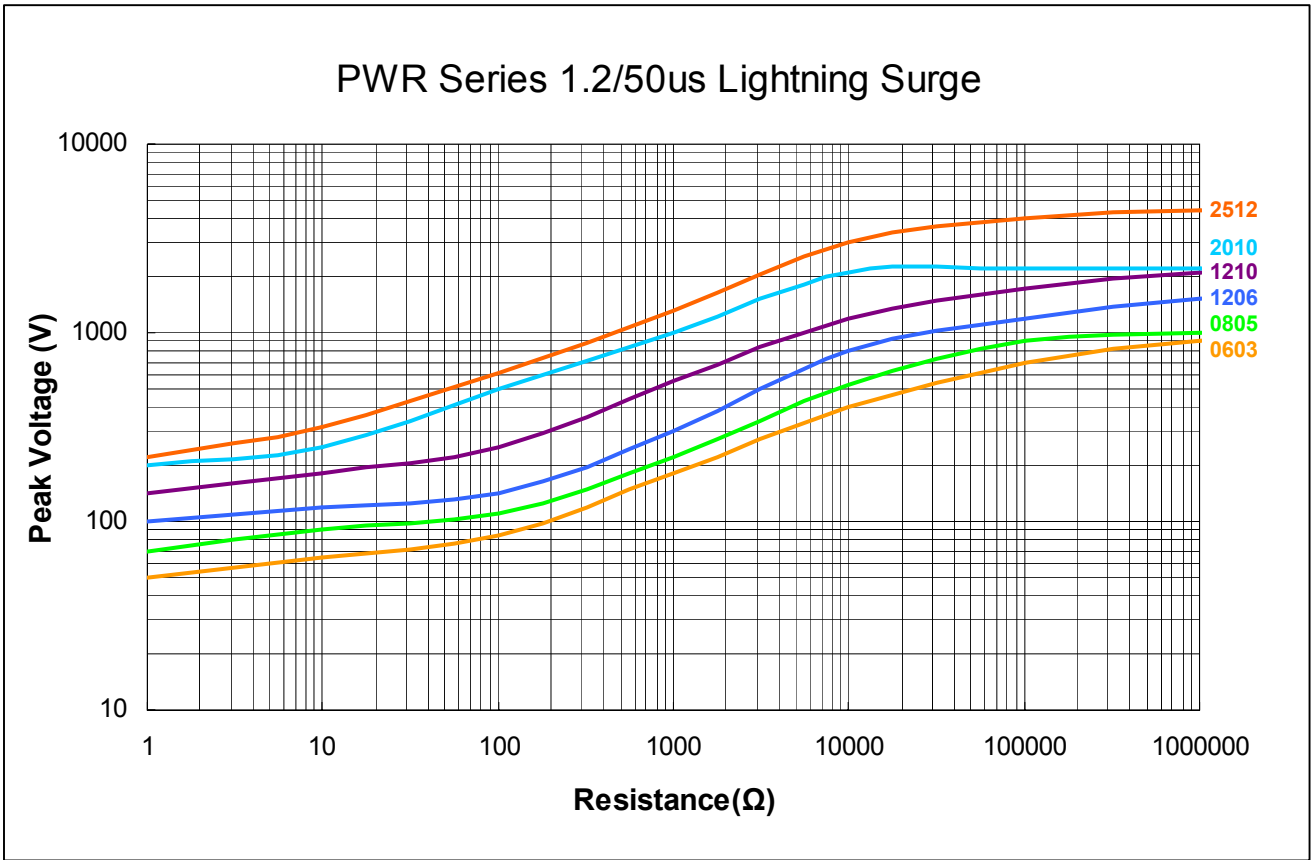
Recommend Land Pattern



Type	A (mm)	B (mm)	C (mm)
PWR03	0.90	0.60	0.90
PWR05	1.20	0.70	1.30
PWR06	2.00	0.90	1.60
PWR13	2.00	0.90	2.80
PWR10	3.80	0.90	2.80
PWR12	3.80	1.60	3.50

Lightning Surge

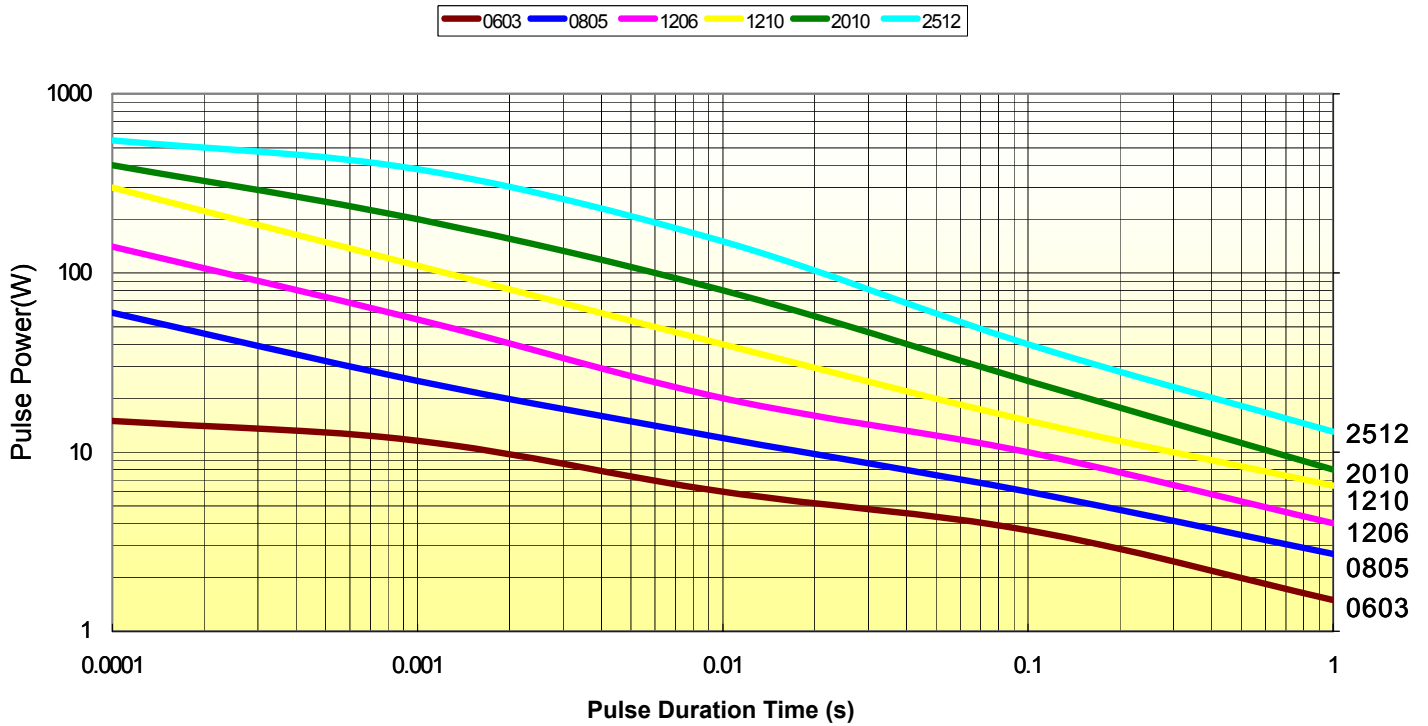
Resistors are tested in accordance with IEC 60 115-1 using both 1.2/50us and 10/700 pulse shapes. The limit of acceptance is a shift in resistance of less than 1% from the initial value.



■ Pulse withstanding capacity

The single impulse graph is the result of 50 impulses of rectangular shape applied at one-minute intervals. The limit of acceptance was a shift in resistance of less than 1% from the initial value. The power applied was subject to the restrictions of the maximum permissible impulse voltage graph shown.

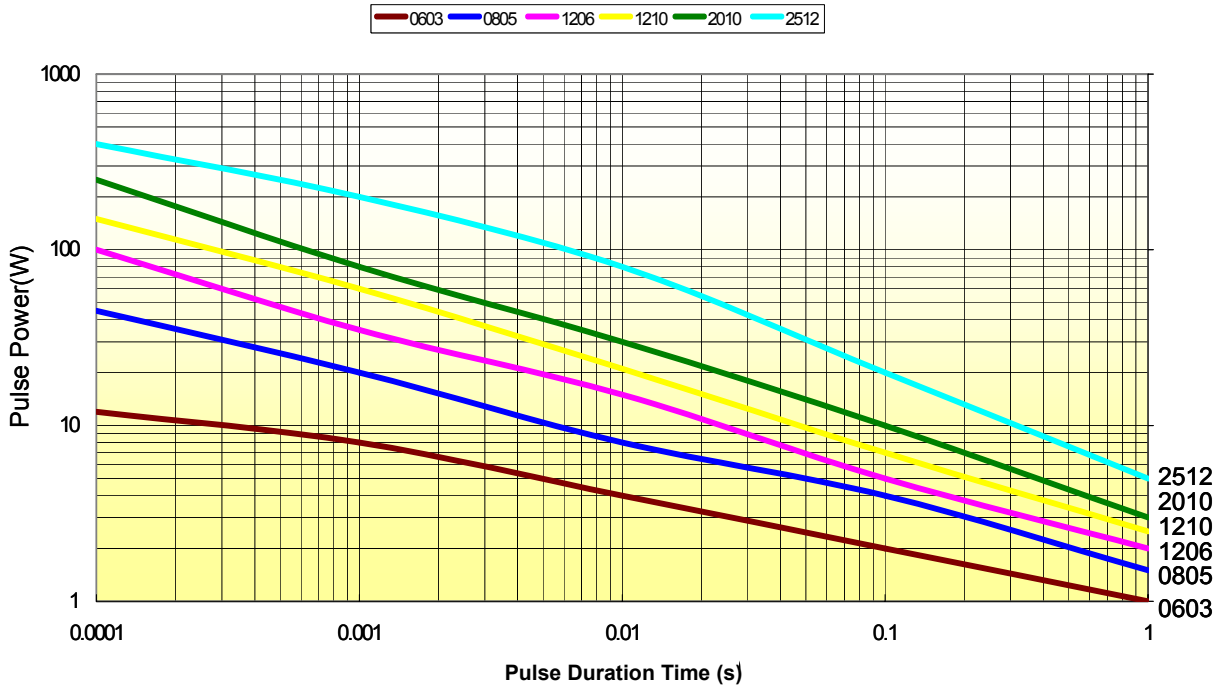
PWR Series Single Pulse (100 Ohm)



Continuous Pulse

The continuous load graph was obtained by applying repetitive rectangular pulses where the pulse period was adjusted so that the average power dissipated in the resistor was equal to its rated power at 70°C. Again the limit of acceptance was a shift in resistance of less than 1% from the initial value.

PWR Series Continuous Pulse (100 Ohm)



PWR Series Pulse Voltage(100 Ohm)

