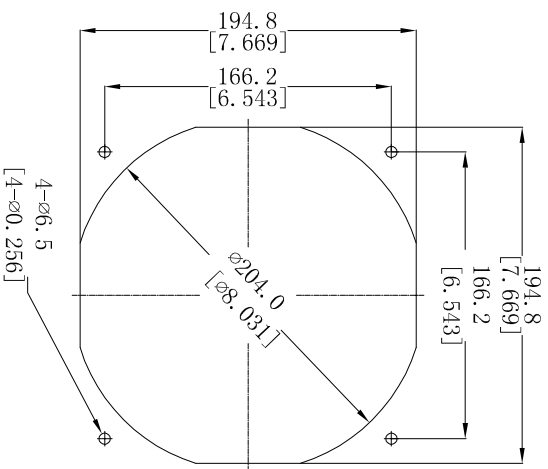
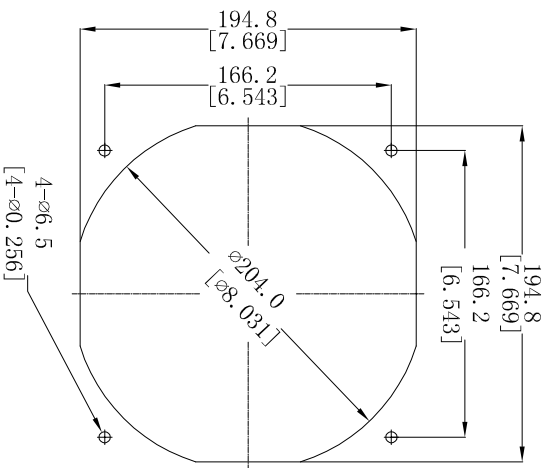


UNIT: $\frac{\text{mm}}{[\text{inch}]}$

OUTLET SIDE

INLET SIDE



UNIT: $\frac{\text{mm}}{[\text{inch}]}$