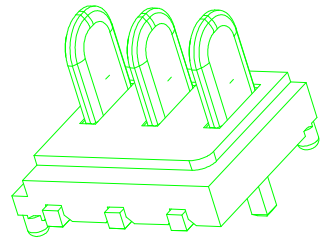
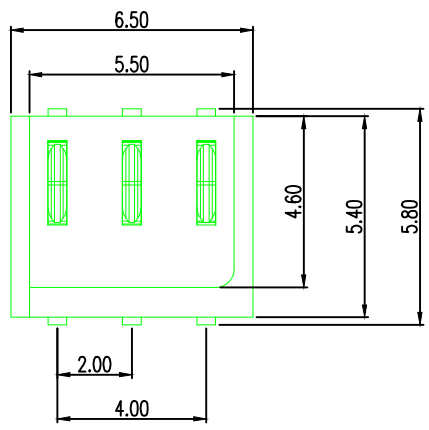
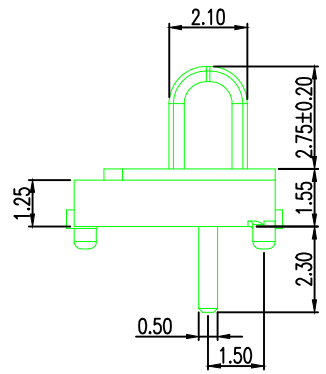
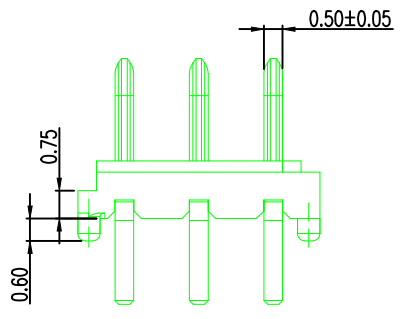


REV.	DESCRIPTION	ECN NO.	DATE	DRAWER

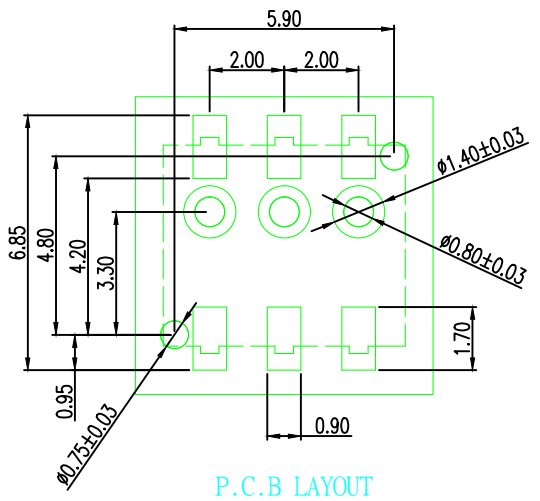
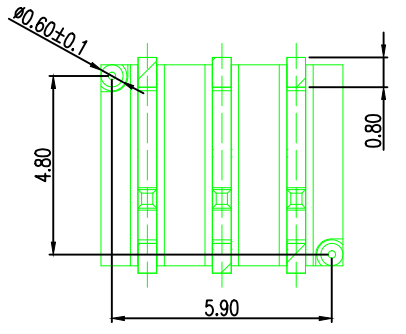


Notes:
 1.Material:
 Housing: THERMOPLASTIC UL 94V-0 , Black
 Contact: COPPER ALLOY
 2.Finish: PLATING GOLD
 3.Specification
 Current Rating: 5A
 Instant Current: 7A
 Contact Resistance: 30mΩ
 Insulation Resistance: 100MΩ
 Dielectric Voltage: 500V
 Operating Temperature: -40~C ~105~C
 4.Order Information:



WD-031103F-BX1

镀金厚度
 1- 3u" 2-6u"
 3-15u" 4-30u"
 5-50u"



DIMENSION IN mm [inch]		东莞市伟定电子有限公司	
Tolerance unless otherwise specified		TEL: 0769-88925318 FAX: 0769-89221023	
X. ± --	X.* ± 10'	ITEM : 2.0mm 3PIN 电池公座	
X.X ± 0.38	X.X* ± 5'		
X.XX ± 0.25	X.XX* ± 2'	PART NO: WD-031103F-BX1	Scale: 1 : 1
X.XXX ± 0.13	X.XXX* ± --	DRAW NO: WD-031103F-BX1	Size: A 4
Approver: JEERY		Checker: ANDY	Rev : A
		Drawer: CHRIS	Sheet: 1 / 1
		2014/04/02	